

PARTS CATALOGUE

YZ85LW (1SPK) EUROPE



1T1SP-300E1

()

YZ85LW
PARTS CATALOGUE
©2017 by Yamaha Motor Co., Ltd.
1st edition, July 2017
All rights reserved.
Any reprinting or unauthorized use
without the written permission of
Yamaha Motor Co., Ltd.
is expressly prohibited.
Printed in Japan.

FOREWORD

This Parts Catalogue is related to the parts for the model(s) on the cover page. When you are ordering replacement parts, please refer to this Parts Catalogue and quote both part numbers and part names correctly.

1. Modifications or additions which have been made after the issue of the Parts Catalogue will be announced in the Parts News.
It is advisable that you make the necessary corrections to the Parts Catalogue according to the Parts News.

2. Abbreviations

The following abbreviations are used in this Parts Catalogue.

“UR” Use specified parts number.

“UN” Use as many as needed.

“AP” Alternate Parts

“LM” Locally Made (Parts need to be ordered locally)

“F#” Frame No. (Applicable machine No.)

“O/S” Over Size

3. The number of components for assembly

- Parts, which are to be supplied in an assembly, are listed with a dot (.) in front of the part name as shown below.
- The numeral appearing to the right of each component part indicates the quantity of parts for each assembly unit.

PART NO.	DESCRIPTION	Q'TY	REMARKS
2F5-83310-60	FRONT FLASHER LIGHT ASSY	2	
115-83311-60	.BULB (6V-18W)	1	

4. Applicable colours of graphics are represented in the “REMARKS” as shown below.

PART NO.	DESCRIPTION	Q'TY	REMARKS
2N4-24110-00-X5	FUEL TANK COMP.	2	MXR
3J1-24240-10	.GRAPHIC, FUEL TANK	1	FOR MXR

5. Note that the illustrations for reference in finding parts numbers are not to be used for assembling. When assembling, please use the applicable service manual.

6. The asterisk (*) before a reference number indicates modified items after the first edition.

MODEL LABEL

(1) A label called "Model Label" is affixed in the location as indicated in (3) below. When using this parts catalogue, please be sure to cross-reference the "model code – production code No." in the catalogue with the "model code – production code No." indicated on the Model Label affixed onto the product concerned.

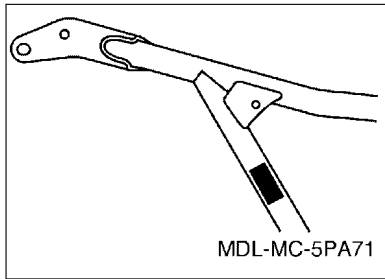
(2) "Model Label" Indication

a	b
○ xxxx – xxx	
● x ^c	

a: Model Type Code
b: Production Code No.
c: Colouring Type

○ 4TW1-010
● A

(3) Model Label Affixing Location



(4) Colouring Information

Model Code	Colouring Type Code	Colour Code	Colour Name	Abbreviation
1SPK	A	0583	DEEP PURPLISH BLUE SOLID E	DPBSE

(5) Model Code – Production Code Number of Model Listed in This Parts Catalogue

Model Code	Production Code No.	Country (destination)	Model Code	Production Code No.	Country (destination)
1SPK	010	AUSTRIA			
		BELGIUM			
		CROATIA			
		CYPRUS			
		CZECHO			
		DENMARK			
		FINLAND			
		FRANCE			
		GERMANY			
		GREECE			
		HUNGARY			
		IRELAND			
		ITALY			
		NETHERLANDS			
		NORWAY			
		POLAND			
		PORTUGAL			
SLOVAK					
SLOVENIA					
SPAIN					
SWEDEN					
SWITZERLAND					
TURKEY					
UNITED KINGDOM					

CONTENTS

ENGINE

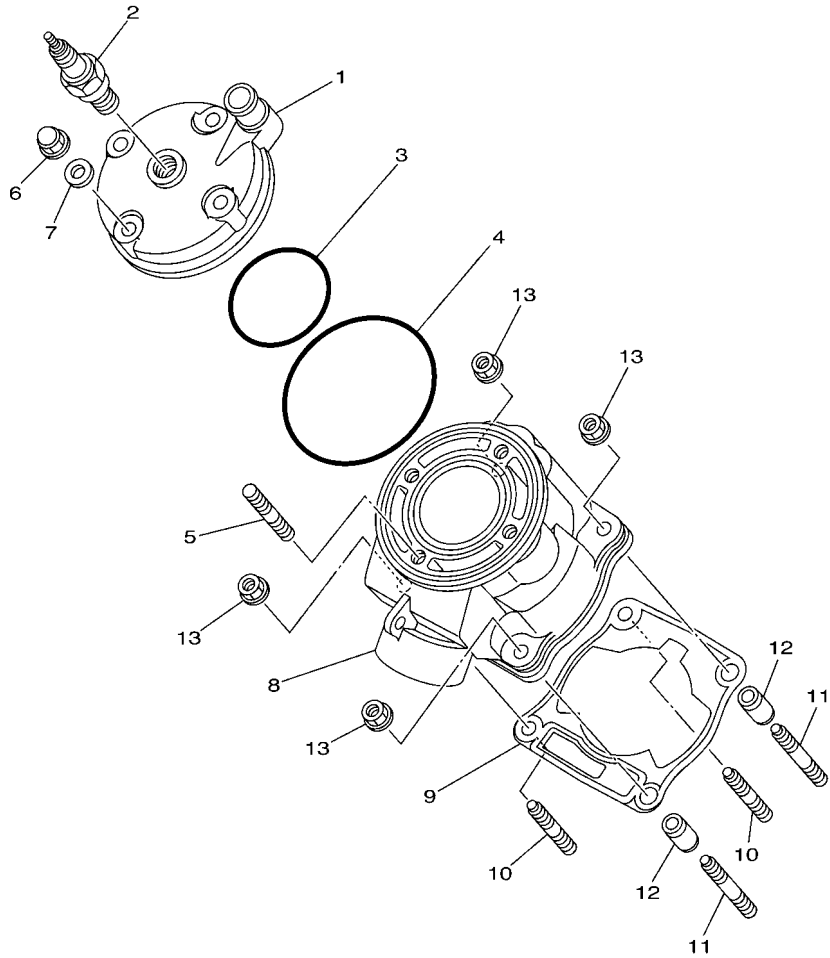
CYLINDER.....	1
CRANKSHAFT & PISTON.....	2
WATER PUMP.....	3
RADIATOR & HOSE.....	4
INTAKE.....	5
CARBURETOR.....	6
EXHAUST.....	8
CRANKCASE.....	9
CRANKCASE COVER 1.....	10
STARTER.....	11
CLUTCH.....	12
TRANSMISSION.....	13
SHIFT CAM & FORK.....	15
SHIFT SHAFT.....	16

CHASSIS

FRAME.....	17
FENDER.....	18
SIDE COVER.....	19
REAR ARM.....	20
REAR SUSPENSION.....	22
STEERING.....	23
FRONT FORK.....	24
FUEL TANK.....	26
SEAT.....	27
FRONT WHEEL.....	28
FRONT BRAKE CALIPER.....	29
REAR WHEEL.....	30
REAR BRAKE CALIPER.....	31
STEERING HANDLE & CABLE.....	32
FRONT MASTER CYLINDER.....	33
STAND & FOOTREST.....	34
REAR MASTER CYLINDER.....	35
GENERATOR.....	36
HANDLE SWITCH & LEVER.....	37
ELECTRICAL 1.....	38
ALTERNATE FOR CHASSIS.....	39
OPTIONAL PARTS 1.....	40

INDEX

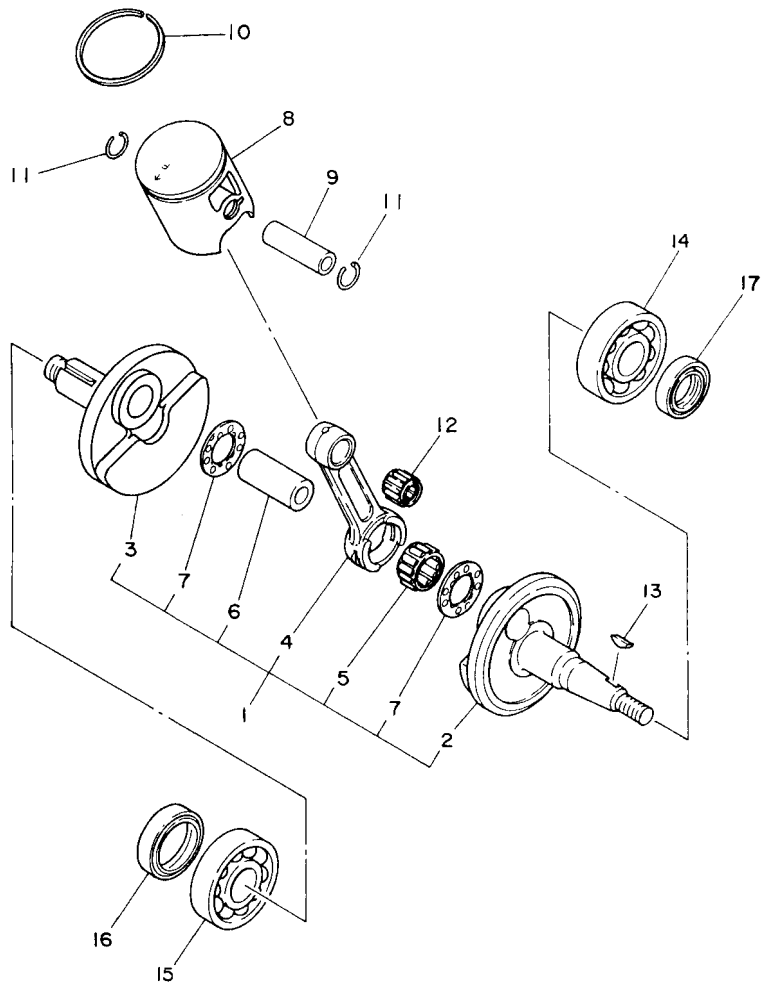
NUMERICAL INDEX.....	41
----------------------	----



5PA1100-A010

FIG. 1 CYLINDER

REF. NO.	PART NO.	DESCRIPTION	1SPK				REMARKS
1	5PA-11111-01	HEAD, CYLINDER 1	1				
2	94702-00368	PLUG, SPARK (NGK BR10EG)	1				
3	93210-56459	O-RING	1				
4	93210-84724	O-RING	1				
5	90116-08027	BOLT, STUD	4				
6	90176-08005	NUT, CROWN	4				
7	90201-080L8	WASHER, PLATE	4				
8	5PA-11311-30	CYLINDER 1	1				
9	4ES-11351-00	GASKET, CYLINDER	1				
10	90116-08031	BOLT, STUD	2				
11	90116-08028	BOLT, STUD	2				
12	99590-10114	PIN, DOWEL	2				
13	90179-08019	NUT	4				

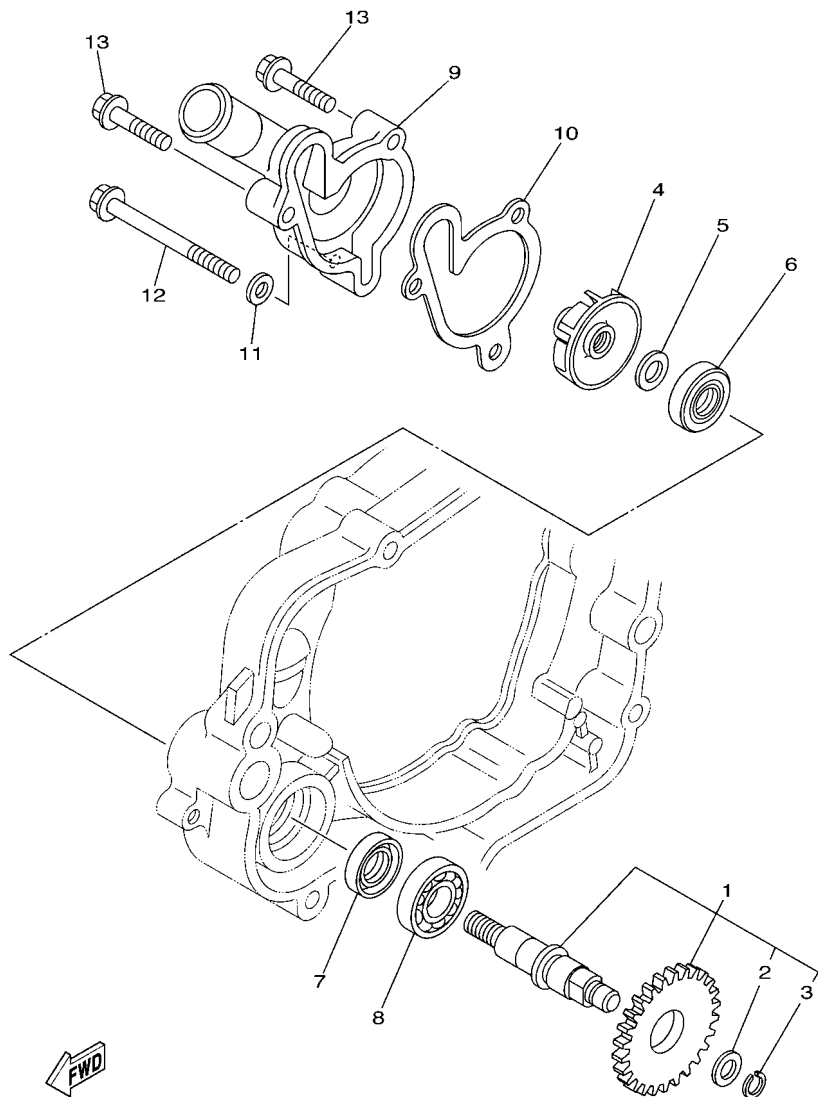


FWD
4ES1100-3020

FIG. 2 CRANKSHAFT & PISTON

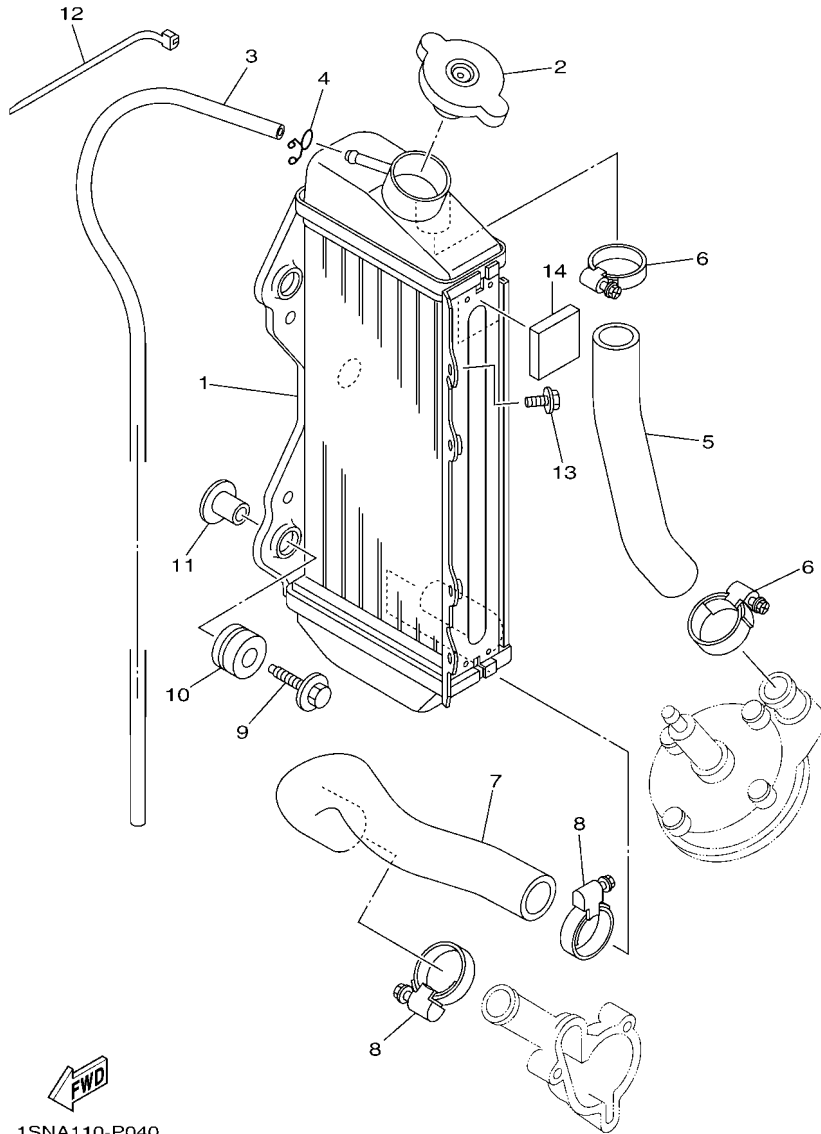
REF. NO.	PART NO.	DESCRIPTION	ISPK				REMARKS
1	5PA-11400-00	CRANKSHAFT ASSY	1				
2	5PA-11412-00	.CRANK 1	1				
3	5PA-11422-00	.CRANK 2	1				
4	4ES-11651-10	.ROD, CONNECTING	1				
5	93310-420B1	.BEARING	1				
6	2RA-11681-00	.PIN, CRANK 1	1				
7	90209-20159	.WASHER	2				
8	5PA-11631-00-A0	PISTON (STD)	1				UR RED
	5PA-11631-00-B0	PISTON (STD)	1				UR ORANGE
	5PA-11631-00-C0	PISTON (STD)	1				UR GREEN
	5PA-11631-00-D0	PISTON (STD)	1				UR PURPLE
9	4ES-11633-00	PIN, PISTON	1				
10	5PA-11611-00	RING, PISTON	1				
11	93450-16115	CIRCLIP	2				
12	93310-21417	BEARING	1				
13	90280-03045	KEY, WOODRUFF	1				
14	93306-20438	BEARING	1				
15	93306-30421	BEARING	1				
16	93102-28009	OIL SEAL	1				
17	93102-20447	OIL SEAL	1				

FIG. 3 WATER PUMP



FWD
5PA1100-A030

REF. NO.	PART NO.	DESCRIPTION	1SPK				REMARKS
1	5PA-12459-00	GEAR, IMPELLER SHAFT	1				
2	90201-08512	.WASHER, PLATE	1				
3	93440-07182	.CIRCLIP	1				
4	5PA-12451-00	IMPELLER, WATER PUMP	1				
5	90201-08512	WASHER, PLATE	1				
6	93109-11073	OIL SEAL	1				
7	93102-12106	OIL SEAL (SD 12-22-5 HS)	1				
8	93306-00105	BEARING	1				
9	4BA-12422-00	COVER, HOUSING	1				
10	4BA-12428-00	GASKET, HOUSING COVER 2	1				
11	90430-06166	GASKET	1				
12	95822-06060	BOLT, FLANGE	1				
13	95022-06025	BOLT, FLANGE	2				



1SNA110-P040

FIG. 4 RADIATOR & HOSE

REF. NO.	PART NO.	DESCRIPTION	ISPK				REMARKS
1	5PA-12461-00	RADIATOR COMP	1				
2	22W-12462-00	CAP, RADIATOR	1				
3	22W-12463-00	PIPE, BREATHER	1				
4	90467-08002	CLIP	1				
5	4ES-12481-10	PIPE 1	1				
6	90450-25001	HOSE CLAMP ASSY	2				
7	5PA-12482-00	PIPE 2	1				
8	90450-28014	HOSE CLAMP ASSY	2				
9	90119-06181	BOLT, WITH WASHER	3				
10	90480-15528	GROMMET	3				
11	90387-0614M	COLLAR	3				
12	90464-13077	CLAMP	2				
13	95822-06010	BOLT, FLANGE	1				
14	14B-28227-00	DAMPER 2	1				

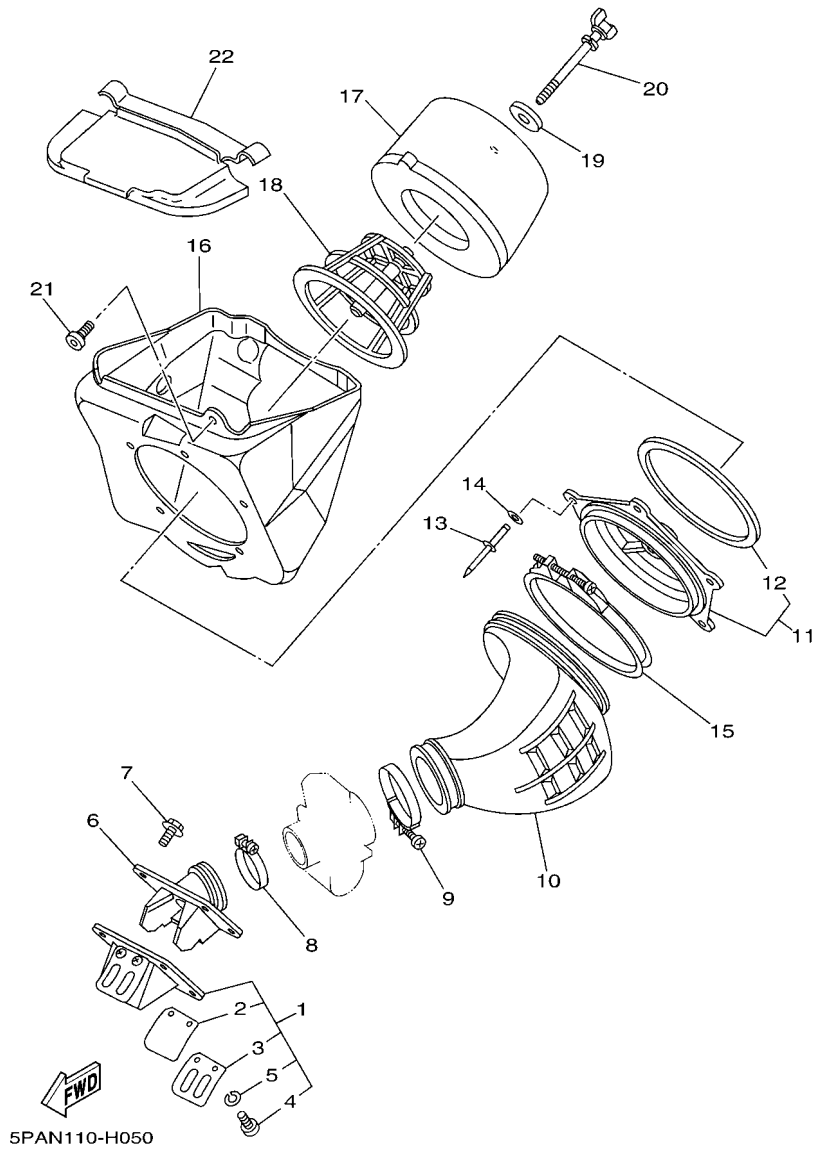
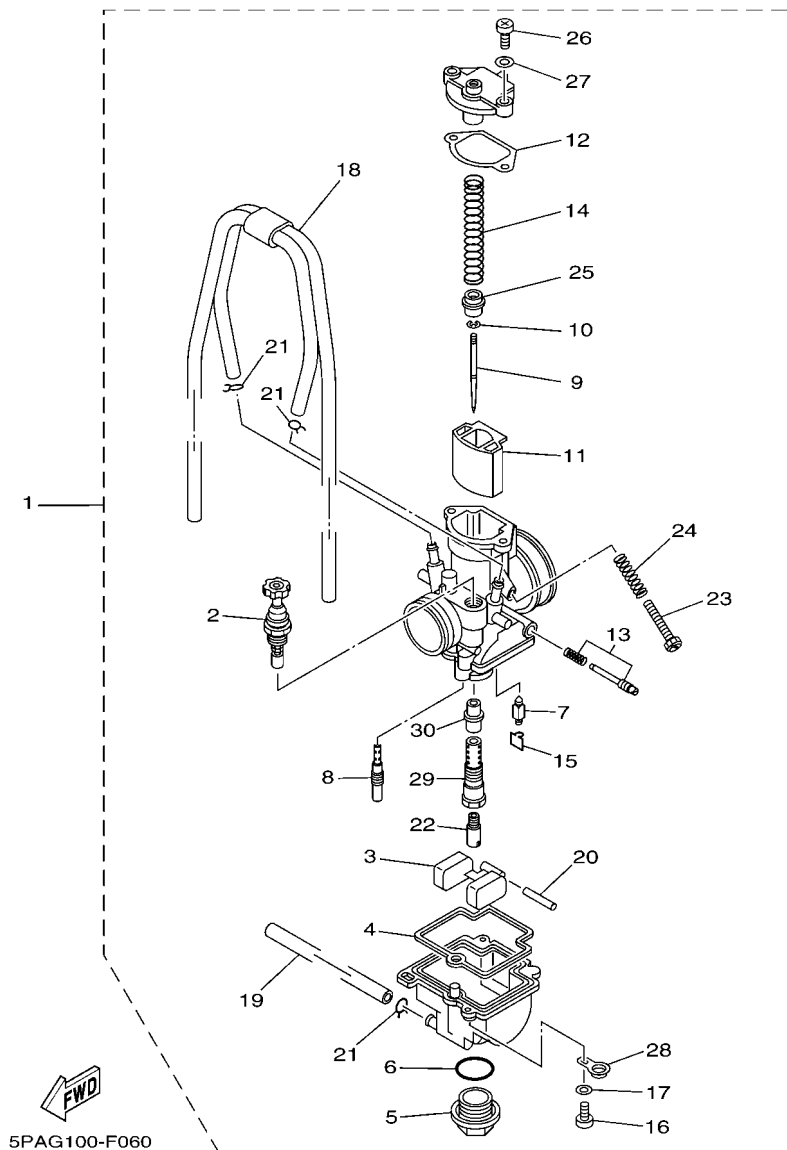


FIG. 5 INTAKE

REF. NO.	PART NO.	DESCRIPTION	ISPK				REMARKS
1	4ES-13610-00	REED VALVE ASSY	1				
2	4ES-13613-00	.REED, VALVE	2				
3	4ES-13616-00	.STOPPER, REED VALVE	2				
4	98502-03006	.SCREW, PAN HEAD	4				
5	92902-03100	.WASHER	4				
6	5PA-13565-00	JOINT, CARBURETOR	1				
7	95022-06020	BOLT, FLANGE	4				
8	90450-41001	HOSE CLAMP ASSY	1				
9	90460-56071	CLAMP, HOSE	1				
10	5PA-14453-00	JOINT, AIR CLEANER 1	1				
11	5PA-14459-00	HOLDER, GUIDE	1				
12	4ES-14462-00	.SEAL	1				
13	90267-48138	RIVET, BLIND	5				
14	90201-043H7	WASHER, PLATE	5				
15	90450-99064	HOSE CLAMP ASSY	1				
16	5PA-14411-10	CASE, AIR CLEANER 1	1				
17	5PA-14451-00	ELEMENT, AIR CLEANER	1				
18	5PA-14458-00	GUIDE	1				
19	90209-06096	WASHER	1				
20	90122-06010	BOLT, WING	1				
21	90109-065F3	BOLT	1				
22	5PA-14417-00	COVER 1	1				AP

FIG. 6 CARBURETOR



REF. NO.	PART NO.	DESCRIPTION	ISPK				REMARKS
1	5PA-14101-00	CARBURETOR ASSY 1	1				
2	4JT-14171-00	.PLUNGER, STARTER	1				
3	5PA-14985-00	.FLOAT	1				
4	5PA-14984-00	.GASKET, FLOAT CHAMBER	1				
5	4MX-14115-00	.PLUG, SCREW	1				
6	4MX-14561-00	.O-RING	1				
7	5PA-14392-00	.VALVE, NEEDLE	1				
8	4MX-14948-05	.JET, SLOW (#45)	1				STD
	4MX-14948-06	.JET, SLOW (#48)	1				AP
9	5PA-14916-KF	.NEEDLE (NBKF)	1				STD
	5PA-14916-KE	.NEEDLE (NBKE)	1				AP
	5PA-14916-KG	.NEEDLE (NBKG)	1				AP
	5PA-14916-LE	.NEEDLE (NBLE)	1				AP
	5PA-14916-LF	.NEEDLE (NBLF)	1				AP
	5PA-14916-LG	.NEEDLE (NBLG)	1				AP
10	4MX-14919-00	.CLIP	1				
11	5PA-14340-00	.VALVE ASSY	1				
12	5PA-14126-00	.GASKET	1				
13	5PA-14105-00	.PILOT SCREW SET	1				
14	5PA-14131-00	.SPRING, THROTTLE VALVE	1				
15	5PA-14159-00	.CLIP	1				
16	98504-04014	.SCREW, PAN HEAD	2				
17	92903-04600	.WASHER	2				
18	5PA-1410E-00	.HOSE	1				
19	4XL-14197-10	.PIPE	1				
20	676-14548-00	.PIN, FLOAT ARM	1				
21	3TJ-14137-40	.CLIP	3				

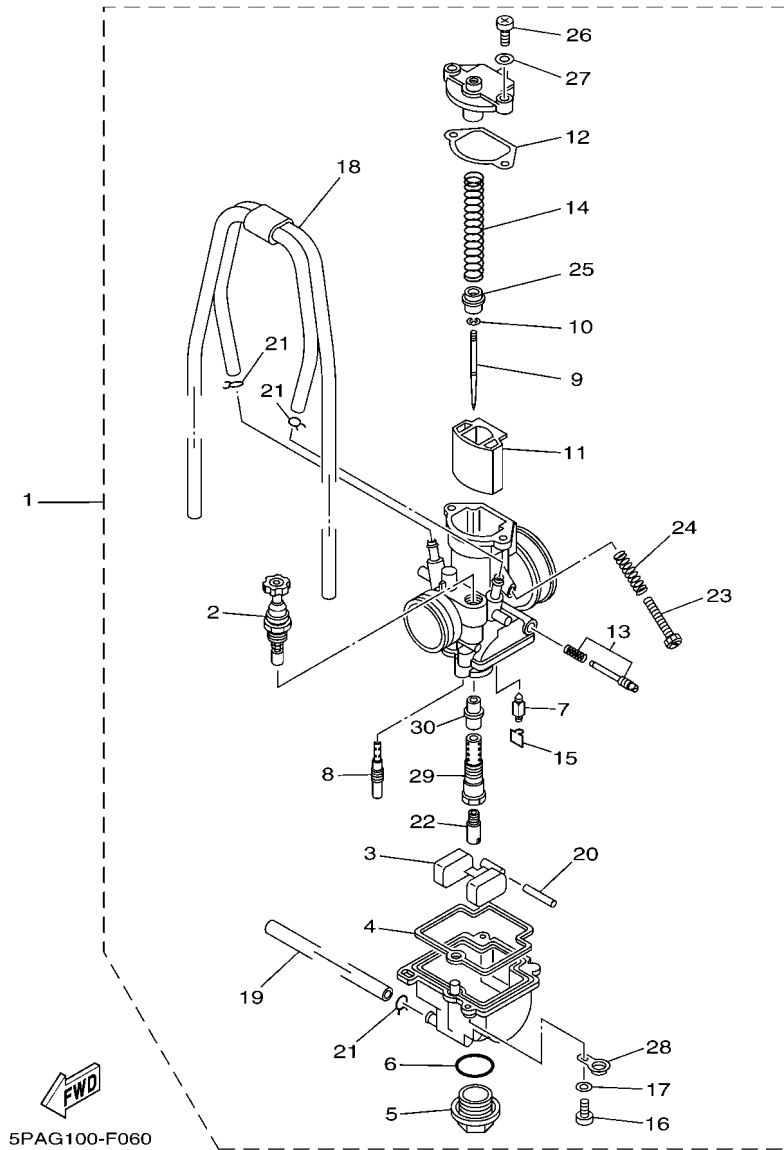
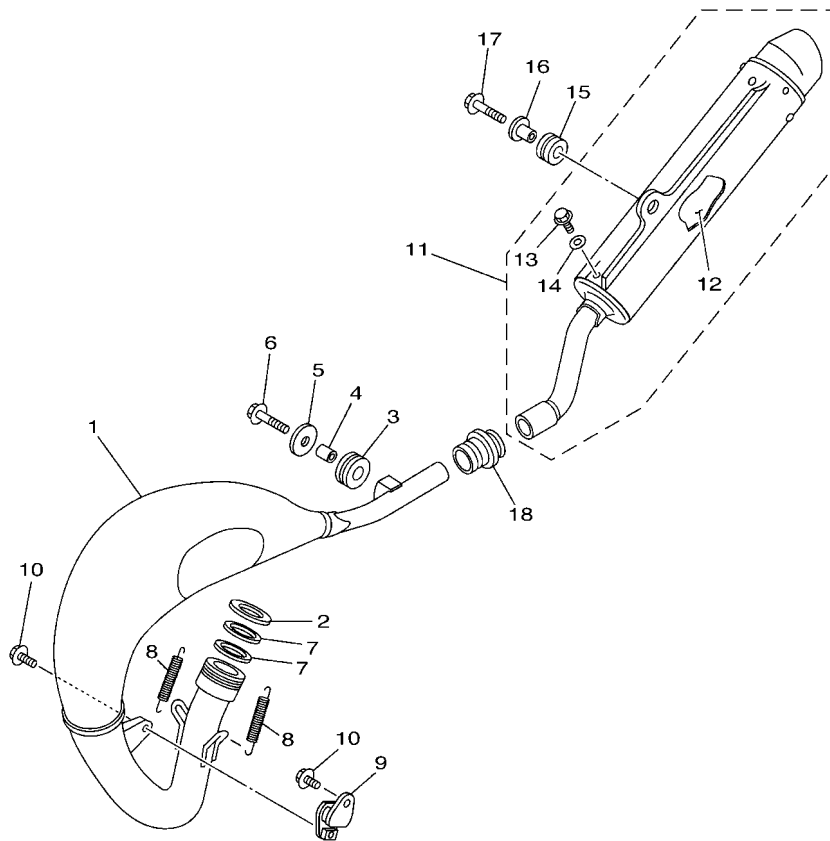


FIG. 6 CARBURETOR

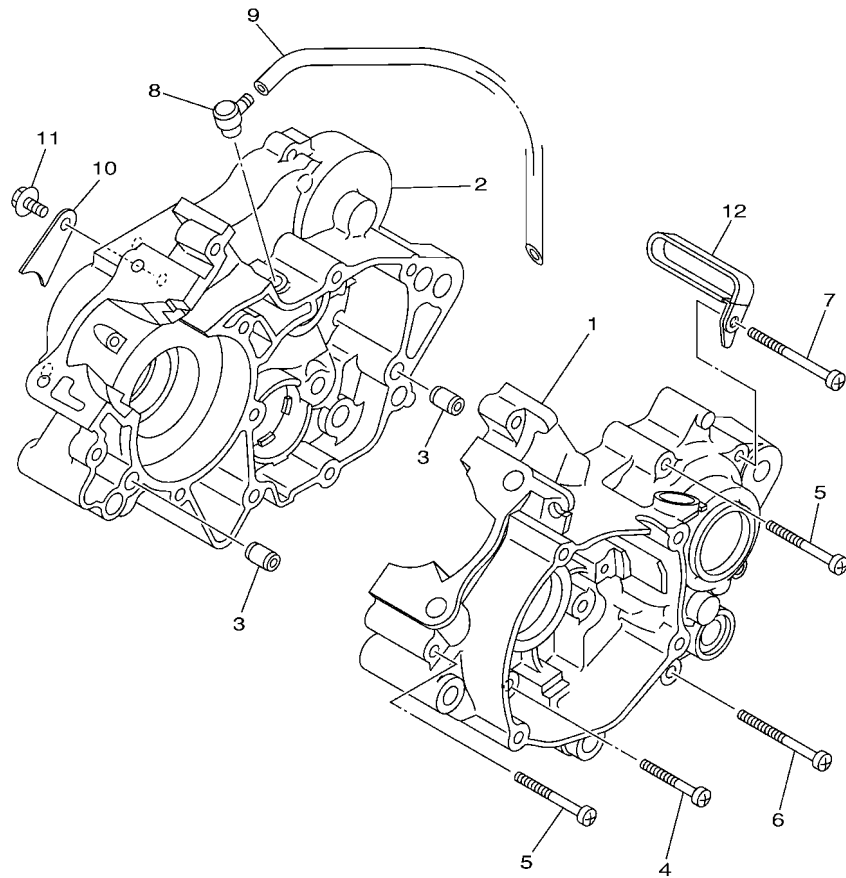
REF. NO.	PART NO.	DESCRIPTION	1SPK				REMARKS
22	4MX-14943-85	.JET, MAIN (#138)	1				STD
	4MX-14943-34	.JET, MAIN (#135)	1				AP
	4MX-14943-35	.JET, MAIN (#140)	1				AP
	4MX-14943-86	.JET, MAIN (#142)	1				AP
23	5HC-14922-00	.SCREW, THROTTLE	1				
24	5HC-14934-00	.SPRING, THROTTLE STOP	1				
25	5PA-14194-00	.RING	1				
26	98504-04012	.SCREW, PAN HEAD	2				
27	92903-04600	.WASHER	2				
28	5PA-14146-00	.PLATE	1				
29	5PA-1496A-00	.HOLDER, NEEDEL JET	1				
30	5PA-14947-00	.JET, NEEDLE	1				

FIG. 7 EXHAUST



FWD
5PA4100-B070

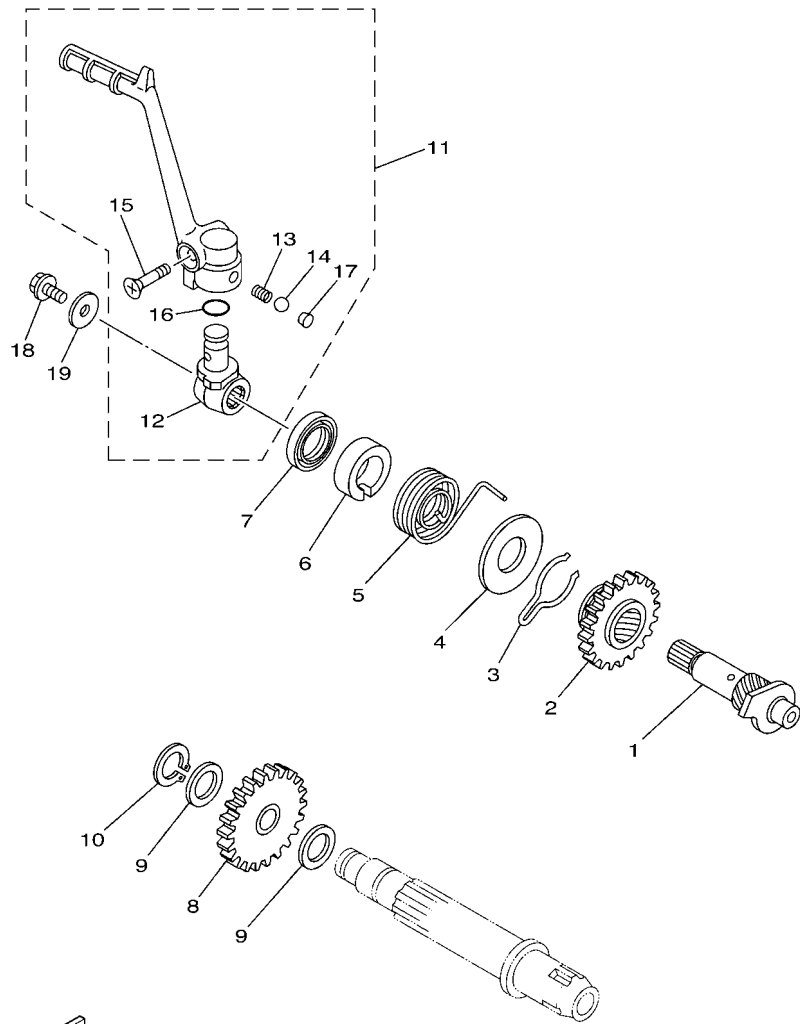
REF. NO.	PART NO.	DESCRIPTION	ISPK					REMARKS
1	5PA-14610-00	EXHAUST PIPE ASSY 1	1					
2	90201-33299	WASHER, PLATE	1					
3	90480-18411	GROMMET	1					
4	90387-105L0	COLLAR	1					
5	90201-06086	WASHER, PLATE	1					
6	95022-06025	BOLT, FLANGE	1					
7	5PA-14642-00	SEAL, EXHAUST	2					
8	90507-20052	SPRING, TENSION	2					
9	565-14771-00	STAY, MUFFLER 1	1					
10	90119-06217	BOLT, WITH WASHER	2					
11	4ES-14753-20	SILENCER, EXHAUST	1					
12	4ES-1469A-00	.FIBER	1					
13	92017-06010	.BOLT, BUTTON HEAD	2					
14	90201-06050	.WASHER, PLATE	2					
15	90480-16561	GROMMET	1					
16	90387-06168	COLLAR	1					
17	95022-06025	BOLT, FLANGE	1					
18	17W-14615-00	JOINT, EXHAUST 1	1					



5PA4100-B080

FIG. 8 CRANKCASE

REF. NO.	PART NO.	DESCRIPTION	1SPK				REMARKS
1	5PA-15111-01	CRANKCASE 1	1				
2	5PA-15121-11	CRANKCASE 2	1				
3	99530-10014	PIN, DOWEL	2				
4	98502-06040	SCREW, PAN HEAD	3				
5	98502-06050	SCREW, PAN HEAD	4				
6	98502-06060	SCREW, PAN HEAD	3				
7	98502-06070	SCREW, PAN HEAD	1				
8	353-13115-01	CONNECTOR, SUCTION PIPE	1				
9	90445-08376	HOSE (L330)	1				
10	5PA-15118-00	HOLDER	1				
11	90105-08126	BOLT, FLANGE	1				
12	90461-10136	CLAMP	1				

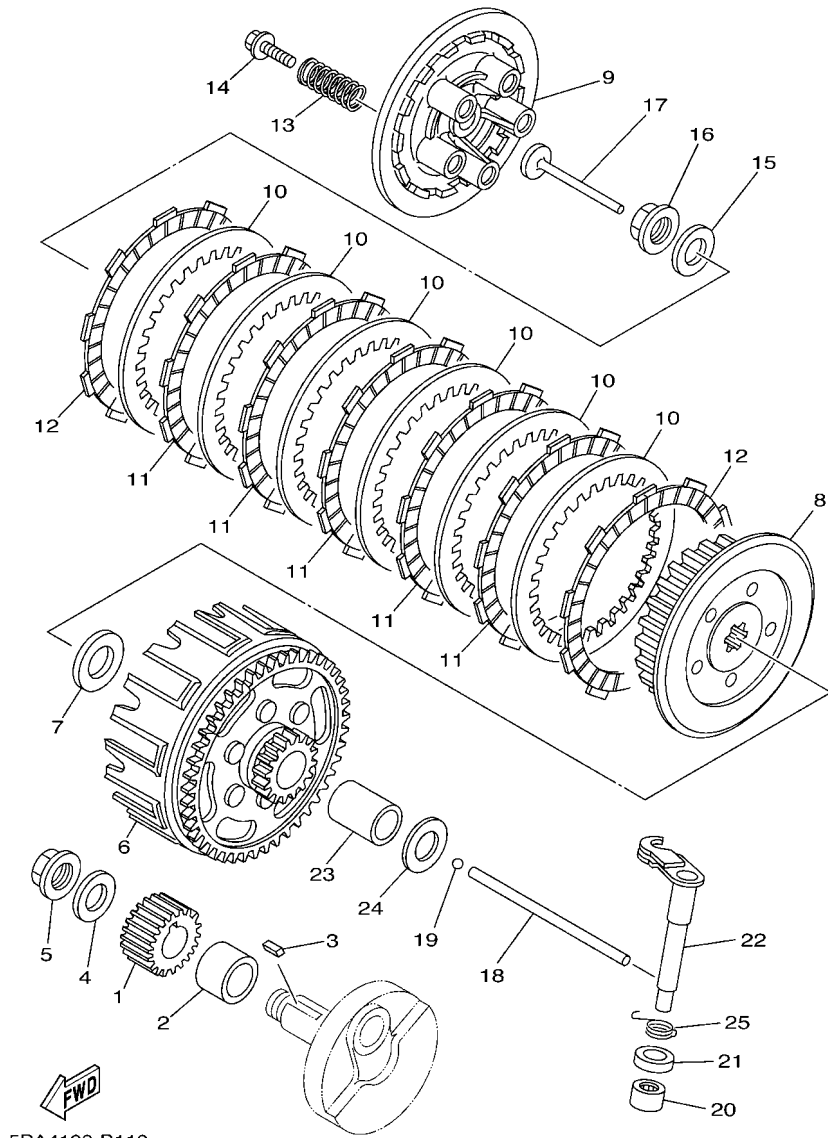


5PA1100-A100

FIG. 10 STARTER

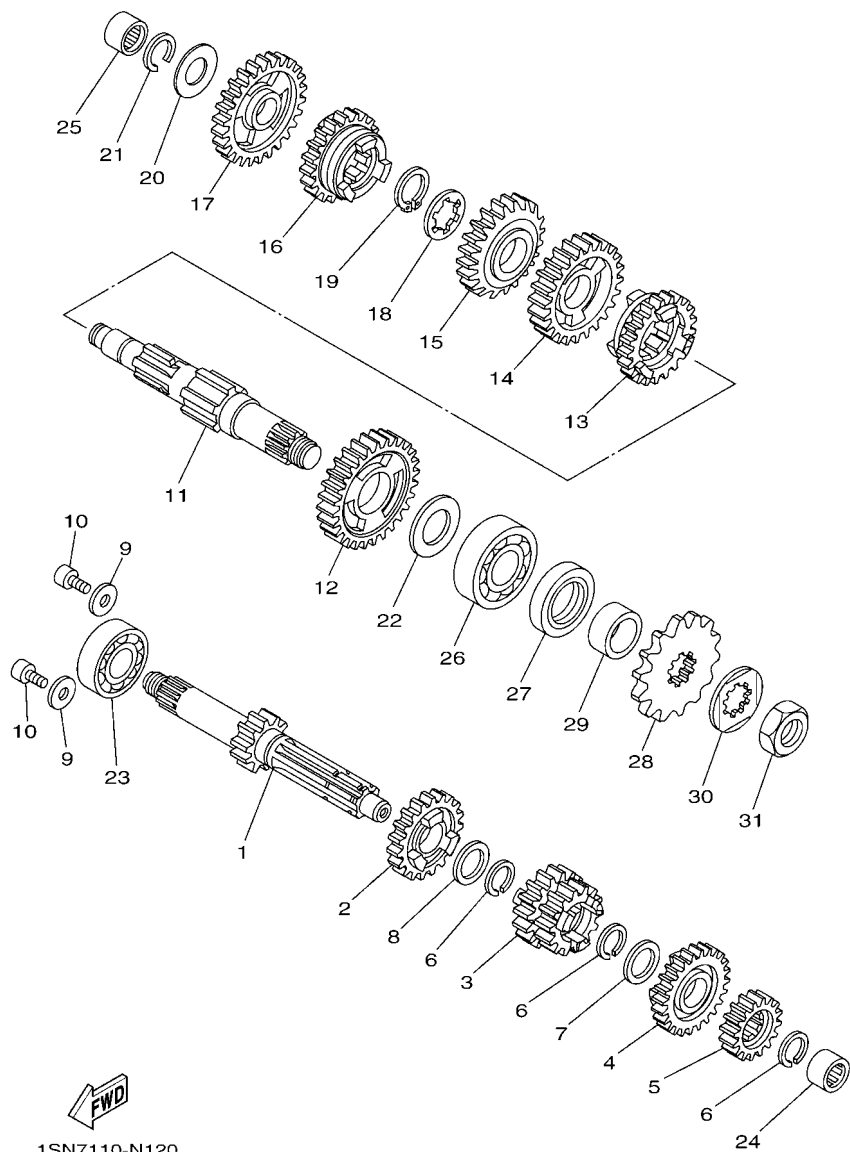
REF. NO.	PART NO.	DESCRIPTION	ISPK				REMARKS
1	5PA-15660-00	KICK AXLE ASSY	1				
2	5PA-15641-00	GEAR, KICK	1				
3	90468-23194	CLIP	1				
4	90201-176L4	WASHER, PLATE	1				
5	90508-26750	SPRING, TORSION	1				
6	4ES-15664-00	GUIDE, SPRING	1				
7	93102-17263	OIL SEAL	1				
8	5PA-15651-00	GEAR, KICK IDLE	1				
9	90201-124F8	WASHER, PLATE	2				
10	99009-12400	CIRCLIP	1				
11	5PA-15620-01	KICK CRANK ASSY	1				
12	5PA-15621-00	.BOSS, KICK CRANK	1				
13	90501-12081	.SPRING, COMPRESSION	1				
14	93507-32009	.BALL	1				
15	90151-06045	.SCREW, COUNTERSUNK	1				
16	93210-12152	.O-RING	1				
17	90336-06031	.PLUG, TAPER	1				
18	95022-06012	BOLT, FLANGE	1				
19	90201-06060	WASHER, PLATE	1				

FIG. 11 CLUTCH



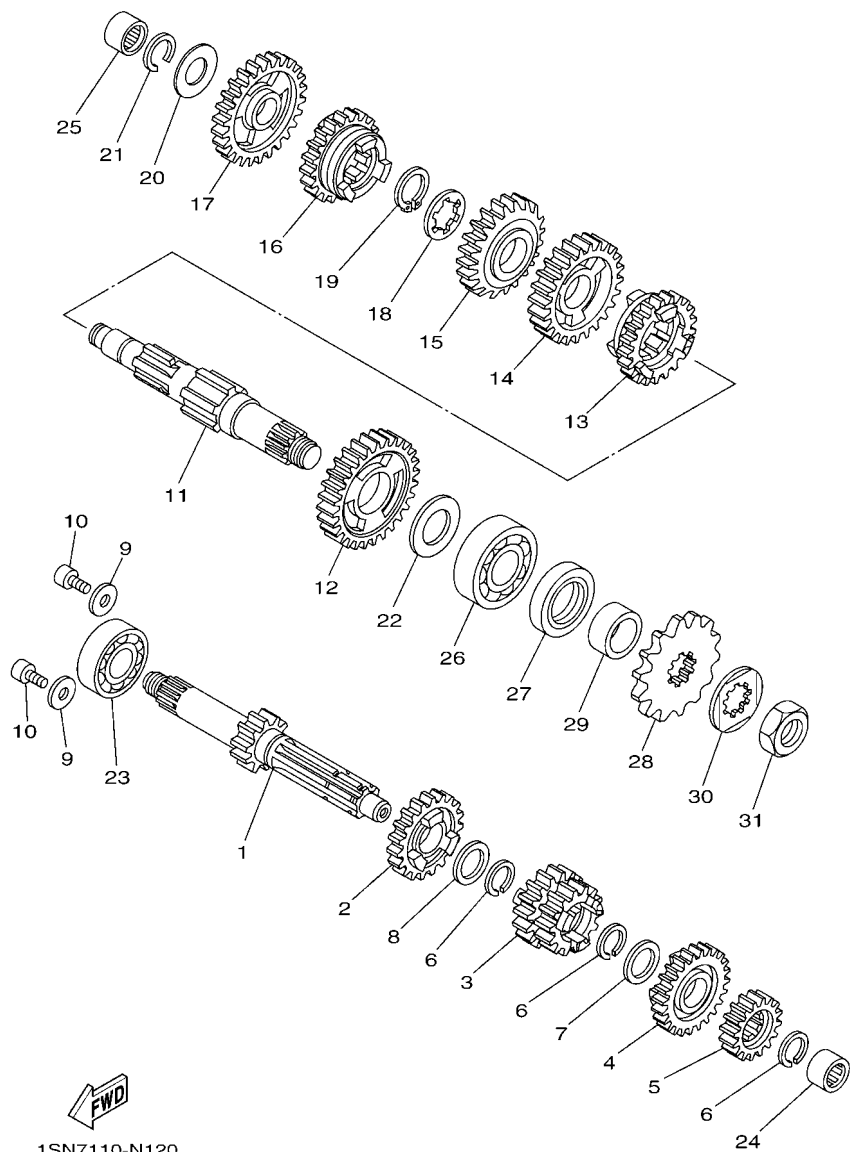
REF. NO.	PART NO.	DESCRIPTION	ISPK				REMARKS
1	5PA-16111-00	GEAR, PRIMARY DRIVE	1				
2	90387-20488	COLLAR	1				
3	90282-05001	KEY, STRAIGHT (5MMX16MM)	1				
4	90208-12015	WASHER, CONICAL SPRING	1				
5	90179-12007	NUT	1				
6	5PA-16150-10	PRIMARY DRIVEN GEAR COMP.	1				
7	90201-17558	WASHER, PLATE	1				
8	5PA-16371-10	BOSS, CLUTCH	1				
9	2TK-16351-00	PLATE, PRESSURE 1	1				
10	131-16324-00	PLATE, CLUTCH 1	6				
11	4ES-16321-00	PLATE, FRICTION	5				
12	21V-16321-00	PLATE, FRICTION	2				
13	90501-204A0	SPRING, COMPRESSION	5				
14	90119-05001	BOLT, WITH WASHER	5				
15	90208-12015	WASHER, CONICAL SPRING	1				
16	90179-12007	NUT	1				
17	4ES-16356-00	ROD, PUSH 1	1				
18	5PA-16357-00	ROD, PUSH 2	1				
19	93503-16003	BALL	1				
20	93315-11206	BEARING	1				
21	93102-12224	OIL SEAL	1				
22	4ES-16381-00	PUSH LEVER COMP.	1				
23	5PA-16181-00	SPACER 1	1				
24	90201-171G6	WASHER, PLATE	1				
25	90508-14016	SPRING, TORSION	1				

FIG. 12 TRANSMISSION



REF. NO.	PART NO.	DESCRIPTION	ISPK				REMARKS
1	5PA-17411-00	AXLE, MAIN (11T)	1				
2	4ES-17151-10	GEAR, 5TH PINION (23T)	1				
3	4ES-17131-03	GEAR, 3RD PINION (17T/17T)	1				
4	4ES-17161-10	GEAR, 6TH PINION (25T)	1				
5	4ES-17121-01	GEAR, 2ND PINION (17T)	1				
6	93440-17064	CIRCLIP	3				
7	90209-14008	WASHER	1				
8	90201-17545	WASHER, PLATE	1				
9	90201-06060	WASHER, PLATE	2				
10	90110-06182	BOLT, HEXAGON SOCKET HEAD	2				
11	5PA-17421-00	AXLE, DRIVE	1				
12	1SN-17221-00	GEAR, 2ND WHEEL (32T)	1				
13	5PA-17261-01	GEAR, 6TH WHEEL (25T)	1				
14	4ES-17231-10	GEAR, 3RD WHEEL (26T)	1				
15	5PA-17241-00	GEAR, 4TH WHEEL (22T)	1				
16	4ES-17251-00	GEAR, 5TH WHEEL (26T)	1				
17	1SN-17211-00	GEAR, 1ST WHEEL (27T)	1				
18	90209-16209	WASHER	1				
19	93410-20038	CIRCLIP	1				
20	164-17427-00-06	SHIM 1 (T=0.6)	1				UR
	164-17427-00-08	SHIM 1 (T=0.8)	1				UR
	164-17427-00-10	SHIM 1 (T=1.0)	1				UR
21	93440-15012	CIRCLIP	1				
22	90201-20611	WASHER, PLATE	1				
23	93306-20333	BEARING	1				
24	93317-11245	BEARING	1				
25	93315-31502	BEARING	1				

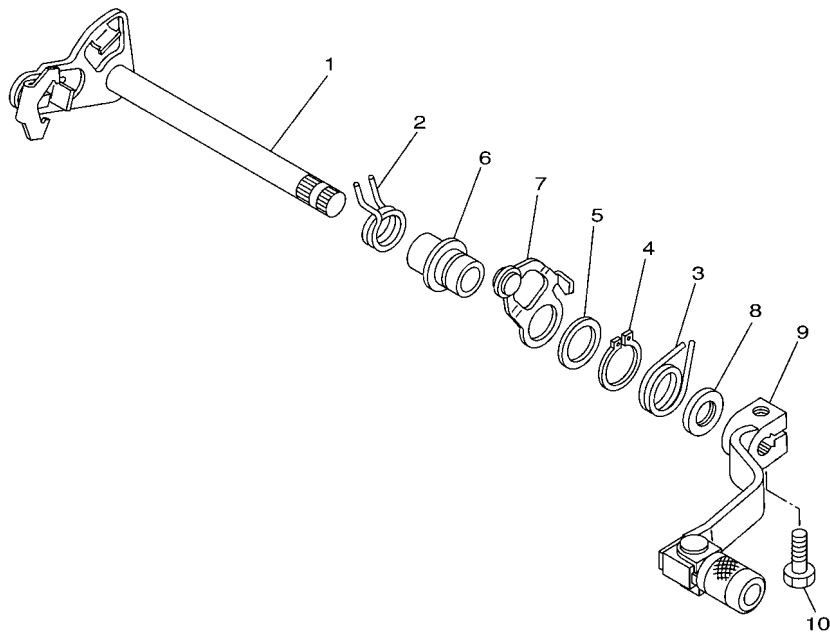
FIG. 12 TRANSMISSION



1SN7110-N120

REF. NO.	PART NO.	DESCRIPTION	1SPK				REMARKS
26	93306-20401	BEARING	1				
27	93102-26042	OIL SEAL	1				
28	9382A-14227	SPROCKET, DRIVE (14T)	1				STD
	9382A-15228	SPROCKET, DRIVE (15T)	1				AP
29	90387-202A0	COLLAR	1				
30	90215-20261	WASHER, LOCK	1				
31	90179-16226	NUT	1				

FIG. 14 SHIFT SHAFT

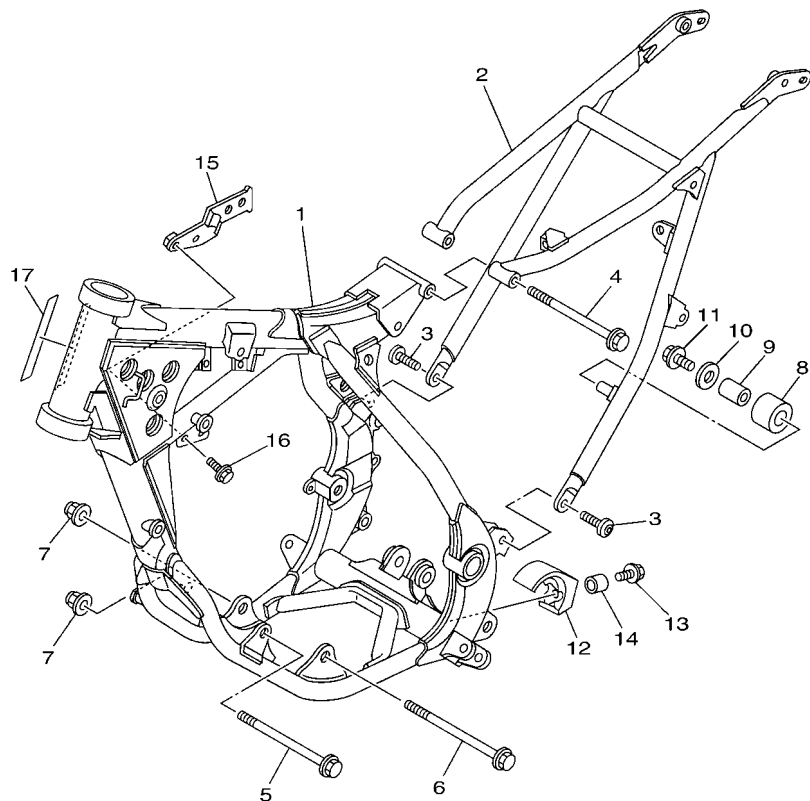


REF. NO.	PART NO.	DESCRIPTION	1SPK				REMARKS
1	5PA-18101-00	SHIFT SHAFT ASSY	1				
2	90508-32016	SPRING, TORSION	1				
3	90508-24007	SPRING, TORSION	1				
4	99009-17400	CIRCLIP	1				
5	90201-177G4	WASHER, PLATE	1				
6	5PA-1811E-00	COLLAR,SHIFT PEDAL	1				
7	5PA-18140-00	STOPPER LEVER ASSY	1				
8	93101-12173	OIL SEAL	1				
9	2HF-18110-02	SHIFT PEDAL ASSY	1				
10	97022-06020	BOLT, HEXAGON	1				



5PA1100-A140

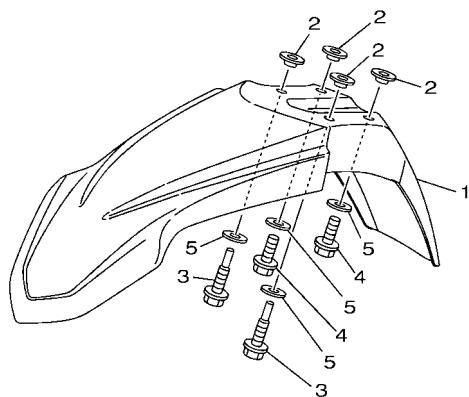
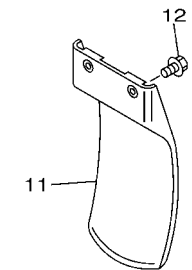
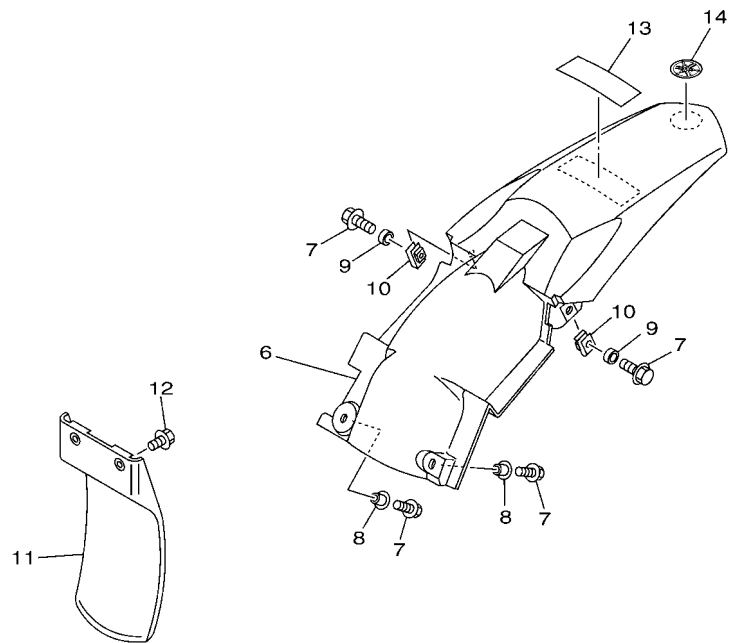
FIG. 15 FRAME



5PAK100-G150

REF. NO.	PART NO.	DESCRIPTION	ISPK				REMARKS
1	5PA-21101-12-33	FRONT FRAME COMP.	1				YB FOR DPBSE
2	5PA-21190-00-33	REAR FRAME COMP.	1				YB FOR DPBSE
3	90111-08029	BOLT,HEX. SOCKET BUTTON	2				
4	95812-08125	BOLT, FLANGE	1				
5	90105-10220	BOLT, FLANGE	1				
6	90105-10219	BOLT, FLANGE	1				
7	95602-10200	NUT, S/L FLANGE	2				
8	30X-22178-00	TENSIONER	1				
9	4V4-22184-00	BUSH	1				
10	90201-08078	WASHER, PLATE	1				
11	95022-08012	BOLT, FLANGE	1				
12	4ES-22178-00	TENSIONER	1				
13	90119-06159	BOLT, WITH WASHER	1				
14	90387-067K6	COLLAR	1				
15	5PA-21274-10	BRACKET, C.D.I. UNIT	1				
16	95022-06012	BOLT, FLANGE	2				
17	3HA-24141-00	PROTECTOR, FUEL TANK	1				

FIG. 16 FENDER

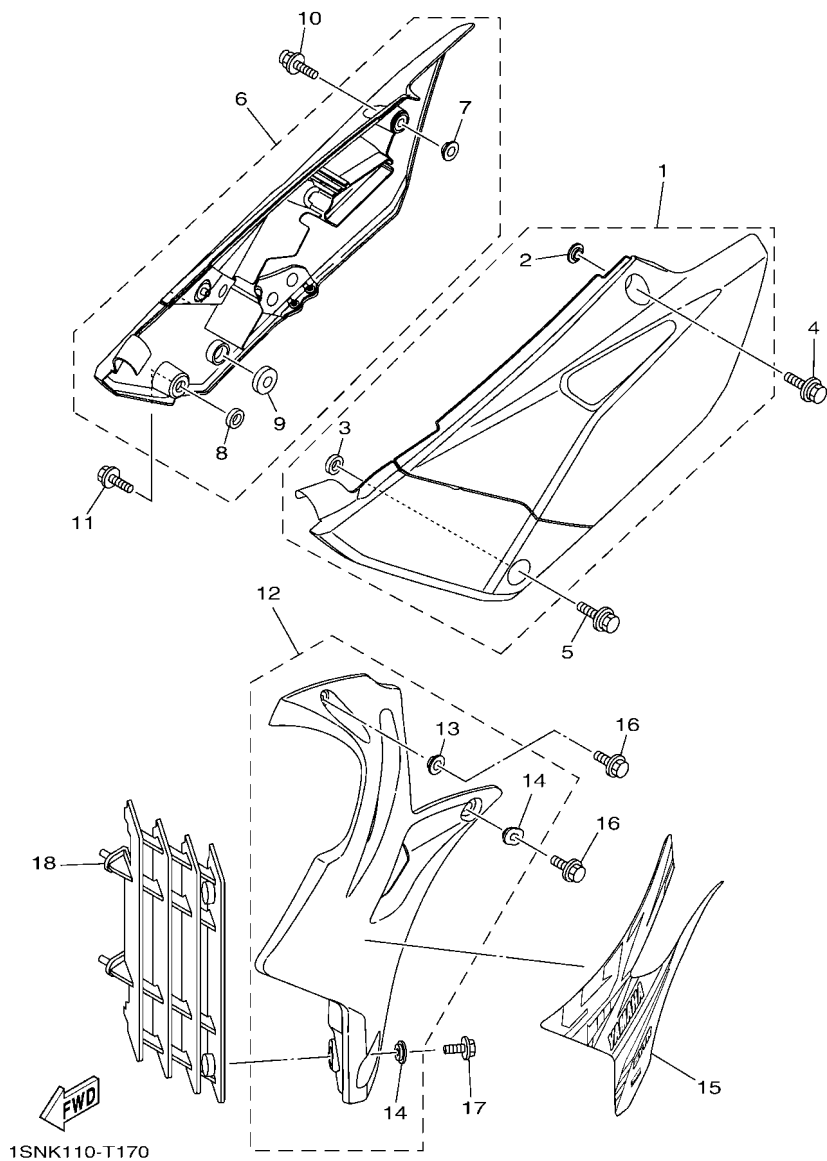


1SPK300-T160

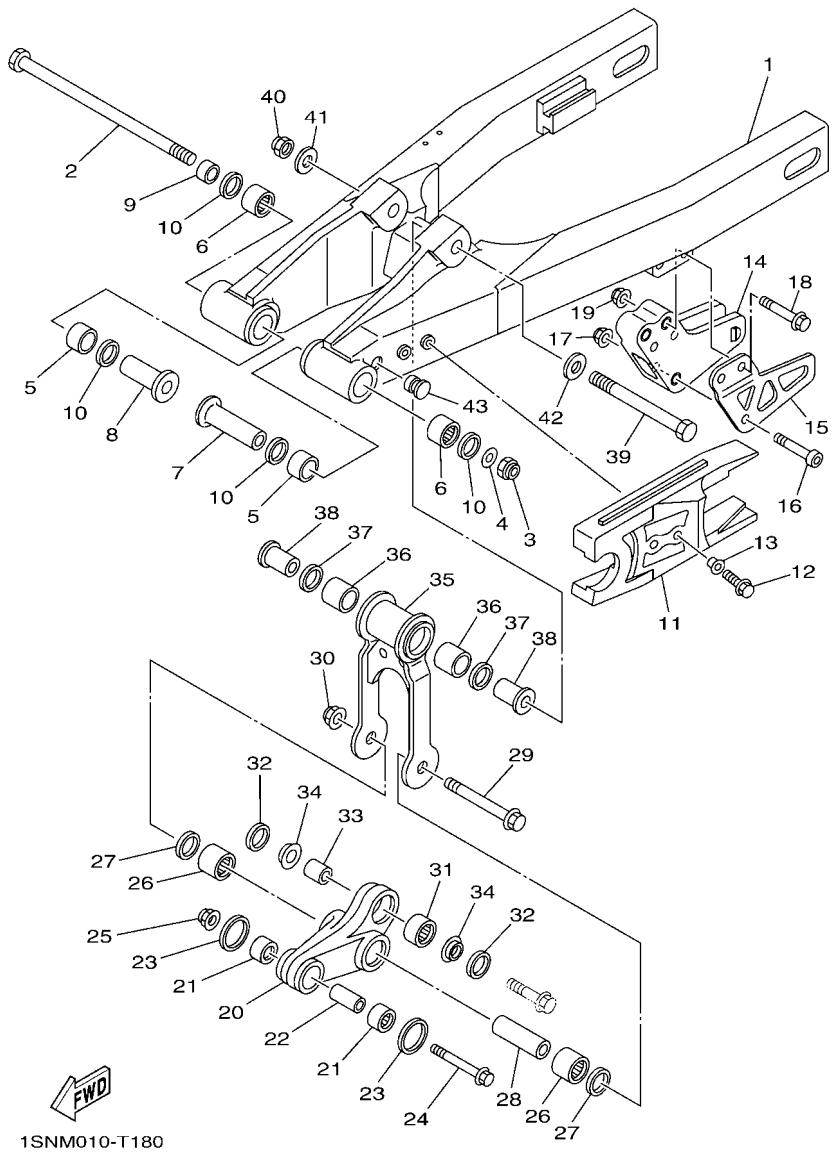


REF. NO.	PART NO.	DESCRIPTION	1SPK				REMARKS
1	1SN-21510-00	FRONT FENDER COMP.	1				
2	90387-06259	COLLAR	4				
3	90105-06210	BOLT, FLANGE	2				
4	90105-06127	BOLT, FLANGE	2				
5	90201-06108	WASHER, PLATE	4				
6	5PA-21611-00	FENDER, REAR	1				
7	90119-06133	BOLT, WITH WASHER	4				
8	90387-064X4	COLLAR	2				
9	90387-0701A	COLLAR	2				
10	90183-060A7	NUT, SPRING	2				
11	4ES-21642-00	GUARD, FLAP	1				
12	90119-06239	BOLT, WITH WASHER	2				
13	5PG-2816R-00	LABEL, WARNING GENERAL INFO.	1				
14	5FK-2175C-30	TUNING FORK MARK	1				

FIG. 17 SIDE COVER



REF. NO.	PART NO.	DESCRIPTION	ISPK				REMARKS
1	1SN-21710-00	SIDE COVER ASSY 1	1				
2	90387-06009	.COLLAR	1				
3	90387-1001B	.COLLAR	1				
4	90119-06240	BOLT, WITH WASHER	1				
5	90119-06217	BOLT, WITH WASHER	1				
6	1SN-21720-00	SIDE COVER ASSY 2	1				
7	90387-06009	.COLLAR	1				
8	90387-1001B	.COLLAR	1				
9	1SL-21719-00	.GROMMET	1				
10	90119-06240	BOLT, WITH WASHER	1				
11	90119-06217	BOLT, WITH WASHER	1				
12	1SN-21730-00	SIDE COVER ASSY 3	1				
13	90387-06009	.COLLAR	1				
14	5PA-21748-00	.COLLAR	2				
15	1SN-2174G-60	GRAPHIC 3	1				
16	90105-06064	BOLT, FLANGE	2				
17	90119-06166	BOLT, WITH WASHER	1				
18	5PH-2172A-11	PANEL 1	1				

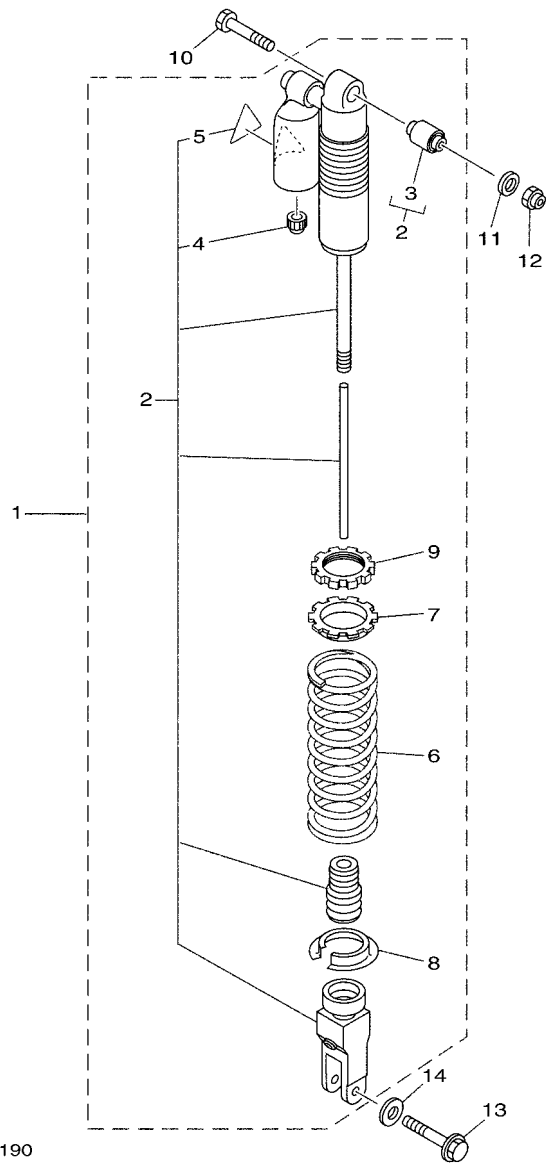


1SNM010-T180

FIG. 18 REAR ARM

REF. NO.	PART NO.	DESCRIPTION	ISPK				REMARKS
1	5SH-22110-10	REAR ARM COMP.	1				
2	22W-25181-01	AXLE, WHEEL	1				
3	95612-12100	NUT, U	1				
4	90201-12032	WASHER, PLATE	1				
5	90385-17042	BUSH	2				
6	93317-21746	BEARING	2				
7	90387-127J8	COLLAR	1				
8	90387-127J7	COLLAR	1				
9	90387-1200U	COLLAR	1				
10	93109-17071	OIL SEAL	4				
11	5PA-22151-00	SEAL, GUARD	1				
12	95022-06014	BOLT, FLANGE	2				
13	90387-06180	COLLAR	2				
14	5PA-22199-00	SUPPORT, CHAIN	1				
15	5PA-22128-00	COVER, THRUST 1	1				
16	92012-06040	BOLT, BUTTON HEAD	1				
17	95602-06200	NUT, SELF-LOCKING	1				
18	95022-08050	BOLT, FLANGE	2				
19	95602-08200	NUT, U FLANGE	2				
20	5PA-2217A-00	ARM, RELAY	1				
21	93315-21455	BEARING	2				
22	90380-10218	BUSH, SOLID	1				
23	4ES-22129-00	COVER, THRUST 2	2				
24	90105-10582	BOLT, FLANGE	1				
25	95602-10200	NUT, S/L FLANGE	1				
26	93317-31771	BEARING	2				
27	93101-17062	OIL SEAL	2				

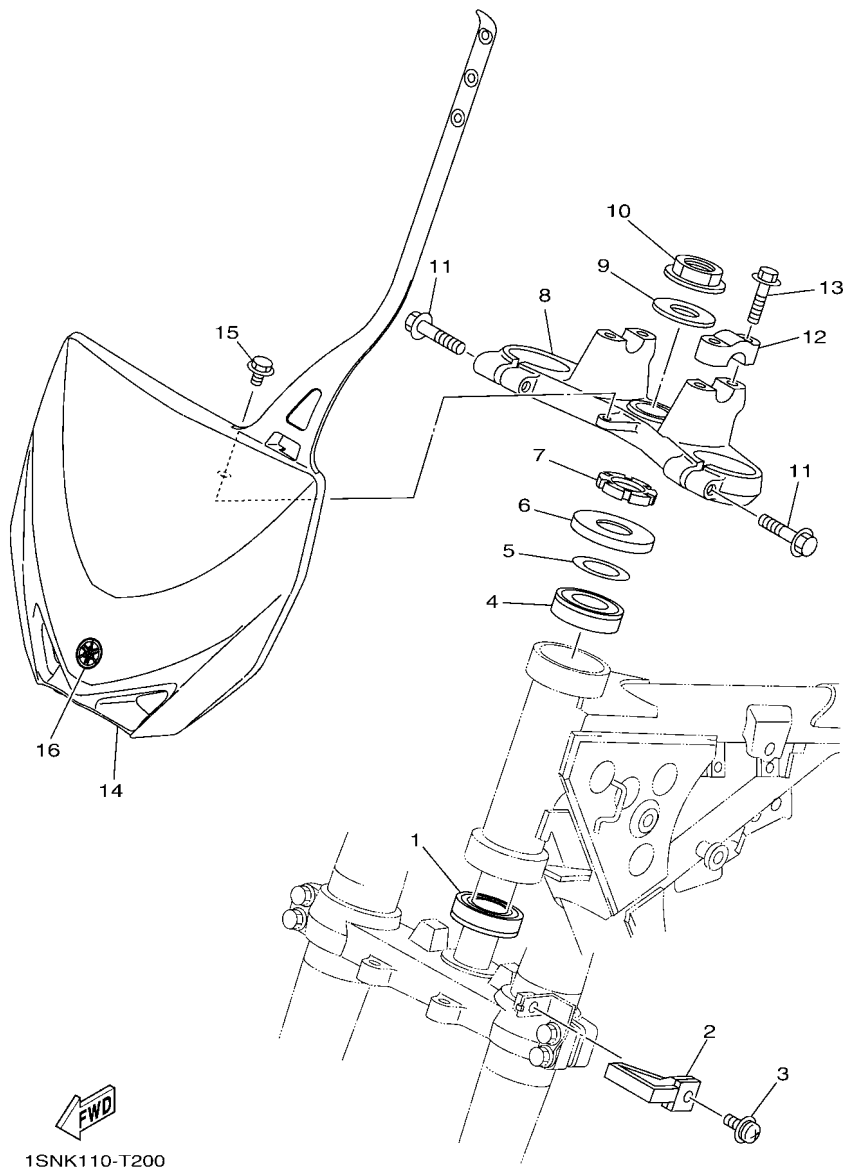
FIG. 19 REAR SUSPENSION



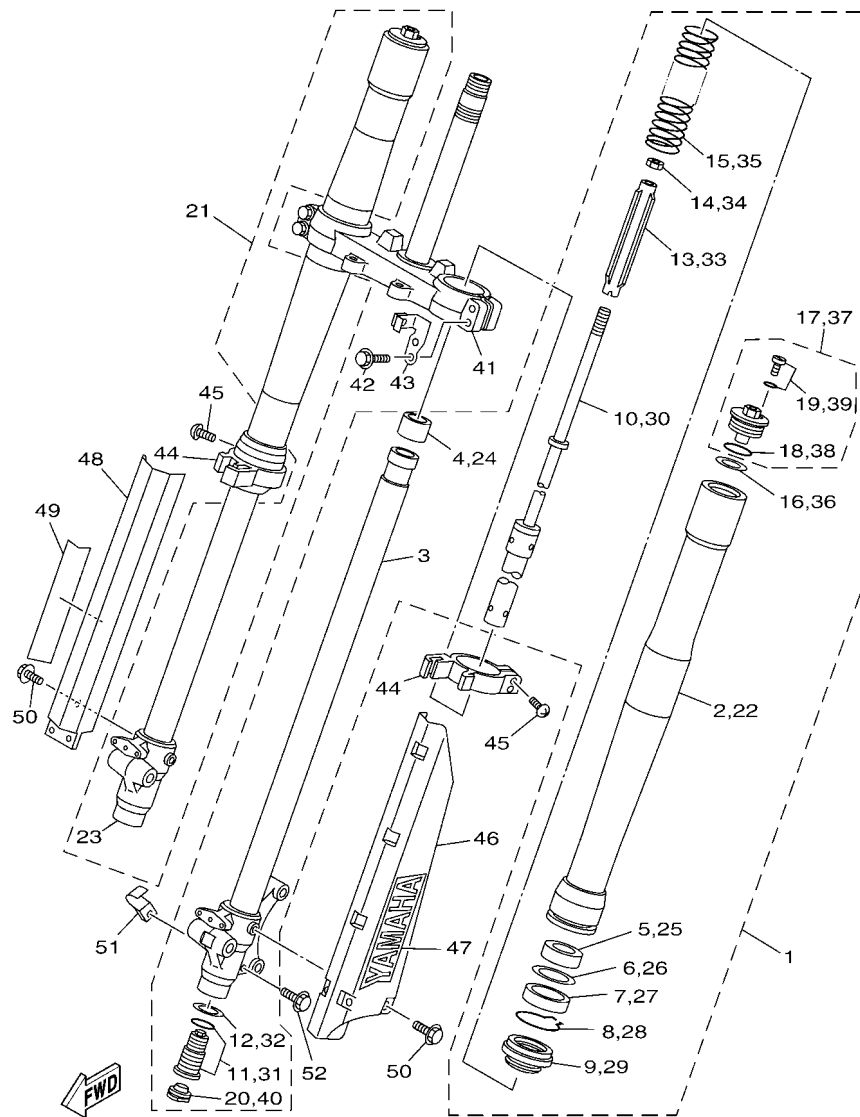
5PAE700-E190

REF. NO.	PART NO.	DESCRIPTION	1SPK				REMARKS
1	5SH-22210-40	SHOCK ABSORBER ASSY, REAR	1				
2	5SH-22201-40	.DAMPER SUB ASSY	1				
3	4ES-22216-00	..BUSH, REAR SHOCK ABSORBER	1				
4	58T-23184-L0	..CAP, AIR VALVE	1				
5	4AA-22259-40	..LABEL, WARNING	1				
6	4ES-22212-G0	..SPRING (K=47N/MM)	1				
7	4ES-22214-00	..GUIDE, SPRING 1	1				
8	3JD-22214-00	..GUIDE, SPRING 1	1				
9	4ES-22251-00	..NUT 1	1				
10	90109-10729	BOLT	1				
11	92902-10600	WASHER, PLATE	1				
12	90185-10018	NUT, SELF-LOCKING	1				
13	90105-10614	BOLT, FLANGE	1				
14	90201-11016	WASHER, PLATE	1				

FIG. 20 STEERING



REF. NO.	PART NO.	DESCRIPTION	1SPK				REMARKS
1	93332-00079	BEARING	1				
2	4DA-23389-00	GUIDE, CABLE	1				
3	90157-05029	SCREW, PAN HEAD	1				
4	93332-00079	BEARING	1				
5	90201-256K5	WASHER, PLATE (0.5T)	1				
6	1J7-23415-00	COVER, BALL RACE 1	1				
7	90179-25004	NUT	1				
8	1SN-23435-10	CROWN, HANDLE	1				
9	90201-220T0	WASHER, PLATE	1				
10	90179-22025	NUT	1				
11	95022-08040	BOLT, FLANGE	2				
12	1E6-23441-10-P0	HOLDER, HANDLE UPPER	2				MBL2
13	95022-08030	BOLT, FLANGE	4				
14	1SN-23485-01	PLATE, NUMBER	1				
15	90105-06064	BOLT, FLANGE	1				
16	5FK-2175C-30	TUNING FORK MARK	1				

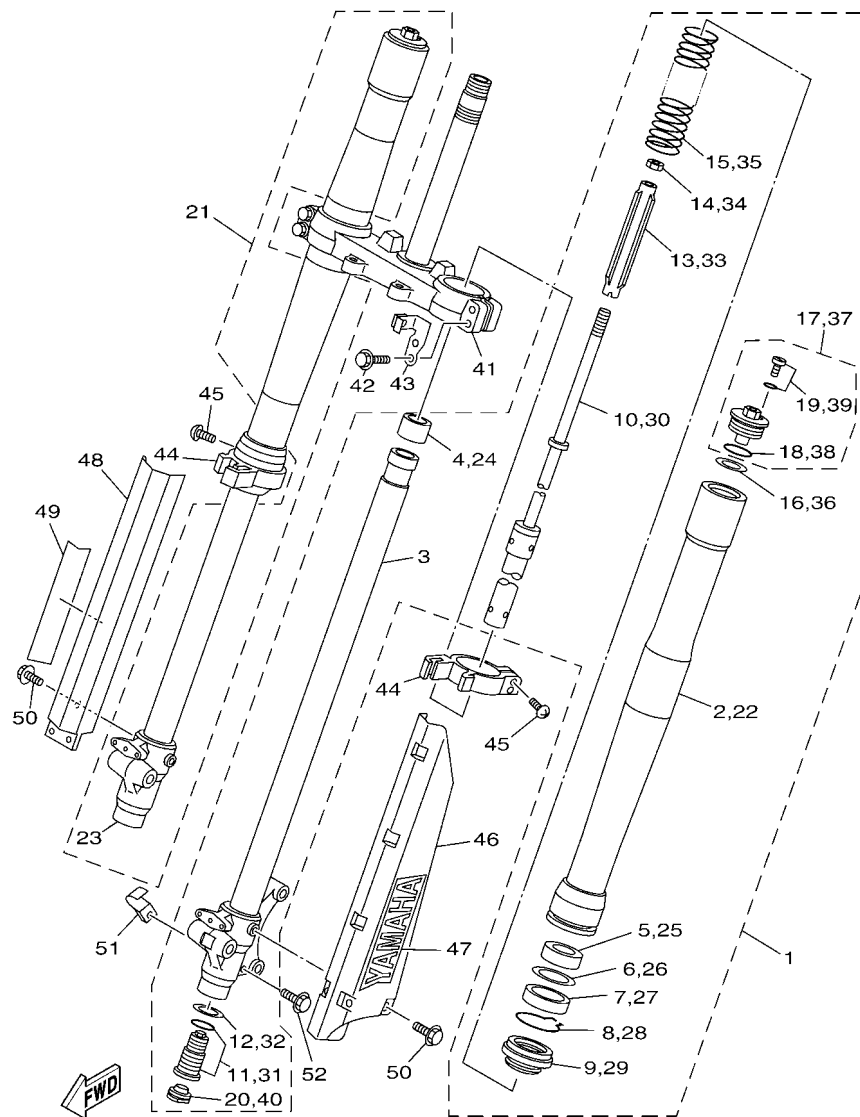


1SNA110-P210

FIG. 21 FRONT FORK

REF. NO.	PART NO.	DESCRIPTION	ISPK	REMARKS
1	5SH-23102-10	FRONT FORK ASSY (L.H)	1	
2	5PA-23136-10	.TUBE, OUTER 2	1	
3	5PA-23120-00	.INNER TUBE COMP.2	1	
4	5PA-23171-00	.PISTON, FRONT FORK	1	
5	5PA-23125-00	.METAL, SLIDE 1	1	
6	5K5-23149-00	.WASHER, SPRING UPPER	1	
7	4ES-23145-00	.OIL SEAL	1	
8	4A1-23156-00	.RING, SNAP	1	
9	4ES-23144-00	.SEAL, DUST	1	
10	5PA-23170-00	.CYLINDER COMP., FRONT FORK	1	
11	5SH-2316A-00	.VALVE COMP.	1	
12	2HH-23158-L0	.GASKET	1	
13	4ES-23142-00	.SEAT, SPRING UPPER	1	
14	3XJ-23357-L0	.NUT	1	
15	4LB-23141-10	.SPRING, FRONT FORK(K=2.9N/MM)	1	
16	5PA-23149-00	.WASHER, SPRING UPPER	1	
17	4ES-23111-10	.BOLT, CAP	1	
18	4V4-23188-L0	.O-RING	1	(KYB)
19	3JD-23394-00	.BOLT, SPECIAL	1	
20	3JD-2312G-L0	.PLUG, HOLE	1	
21	5SH-23103-10	FRONT FORK ASSY (R.H)	1	
22	5PA-23136-10	.TUBE, OUTER 2	1	
23	5PA-23110-00	.INNER TUBE COMP.1	1	
24	5PA-23171-00	.PISTON, FRONT FORK	1	
25	5PA-23125-00	.METAL, SLIDE 1	1	
26	5K5-23149-00	.WASHER, SPRING UPPER	1	
27	4ES-23145-00	.OIL SEAL	1	

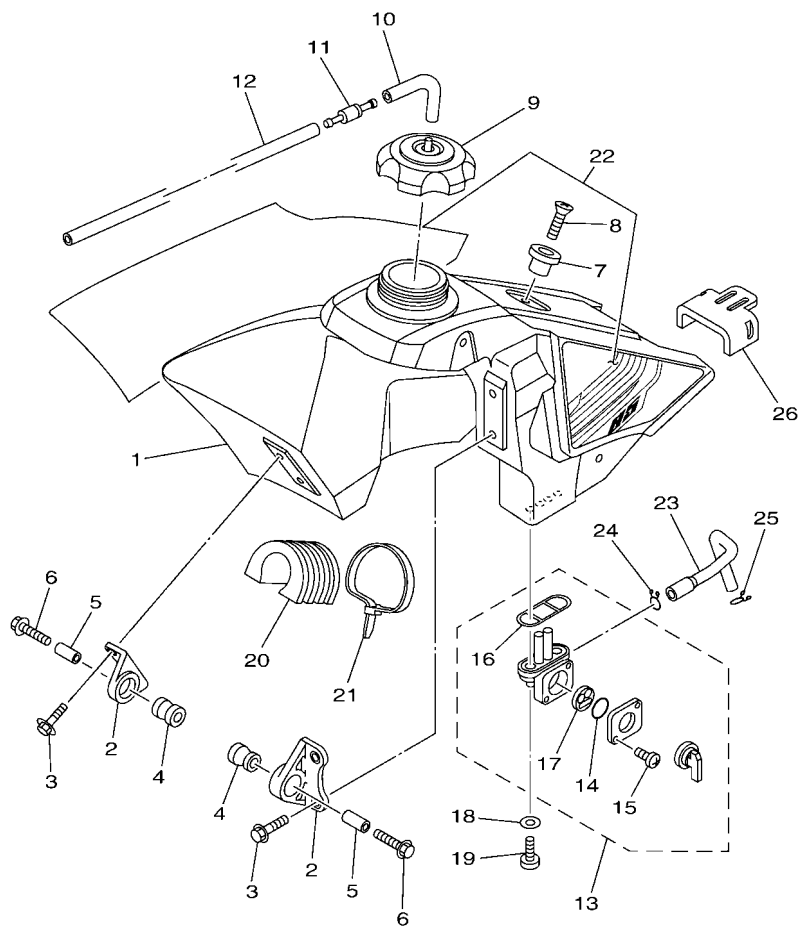
FIG. 21 FRONT FORK



1SNA110-P210

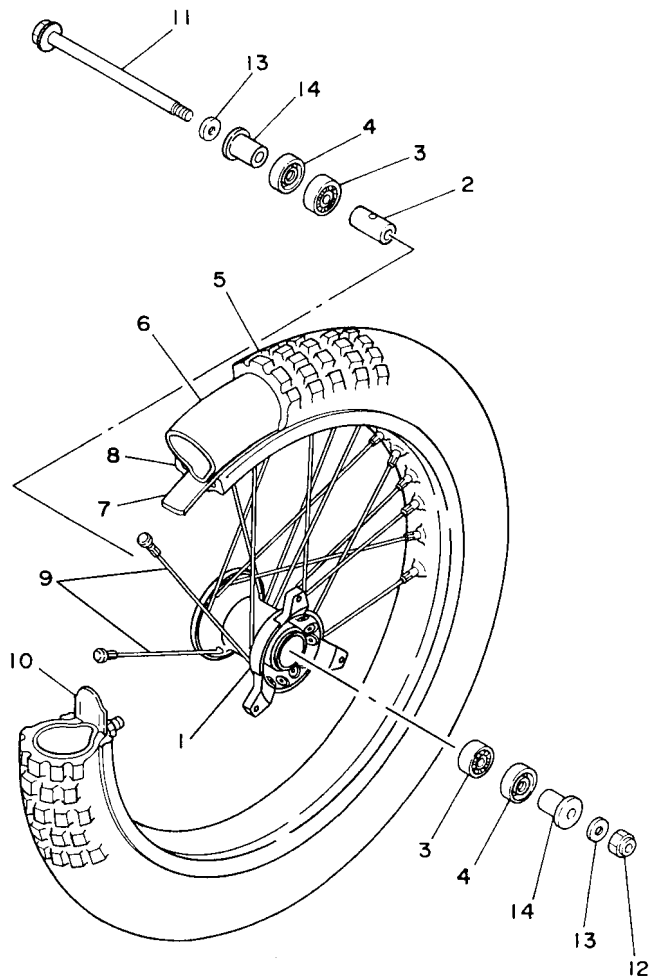
REF. NO.	PART NO.	DESCRIPTION	ISPK				REMARKS
28	4A1-23156-00	.RING, SNAP	1				
29	4ES-23144-00	.SEAL, DUST	1				
30	5PA-23170-00	.CYLINDER COMP., FRONT FORK	1				
31	5SH-2316A-00	.VALVE COMP.	1				
32	2HH-23158-L0	.GASKET	1				
33	4ES-23142-00	.SEAT, SPRING UPPER	1				
34	3XJ-23357-L0	.NUT	1				
35	4LB-23141-10	.SPRING, FRONT FORK(K=2.9N/MM)	1				
36	5PA-23149-00	.WASHER, SPRING UPPER	1				
37	4ES-23111-10	.BOLT, CAP	1				
38	4V4-23188-L0	.O-RING	1				(KYB)
39	3JD-23394-00	.BOLT, SPECIAL	1				
40	3JD-2312G-L0	.PLUG, HOLE	1				
41	1SN-23340-10	UNDER BRACKET COMP.	1				
42	5PA-23346-00	BOLT 1	4				
43	5PA-2331E-10	GUIDE, CABLE	1				
44	4ES-2314F-00	PROTECTOR GUIDE COMP., 1	2				
45	4V4-23194-L0	SCREW, BOOT BAND	4				
46	5PA-2314H-L0	PROTECTOR COMP., 1	1				
47	4XL-2153A-10	EMBLEM, YAMAHA	1				
48	5PA-2314J-L0	PROTECTOR COMP., 2	1				
49	4XL-2153A-10	EMBLEM, YAMAHA	1				
50	95024-06010	BOLT, FLG.(SMALL HEAD)	6				
51	5PA-23318-00	WIRE, HOLDER 1	1				
52	95022-06020	BOLT, FLANGE	1				

FIG. 22 FUEL TANK



1SNK110-T220

REF. NO.	PART NO.	DESCRIPTION	ISPK				REMARKS
1	5PA-24110-30	FUEL TANK COMP.	1				
2	5XE-24144-00	HOLDER, DAMPER	2				
3	95027-06016	BOLT, FLANGE	4				
4	90480-18549	GROMMET	2				
5	90387-06027	COLLAR	2				
6	90119-06262	BOLT, WITH WASHER	2				
7	4EW-2412F-00	BRACKET, SEAT	1				
8	98702-06025	SCREW, FLAT HEAD	1				
9	5NY-24610-10	CAP ASSY	1				
10	90445-09003	HOSE (L30)	1				
11	3XJ-24380-00	PIPE JOINT ASSY	1				
12	90445-09005	HOSE	1				
13	4DP-24500-10	FUEL COCK ASSY 1	1				
14	3AJ-24534-10	.SEAL, COCK	1				
15	98507-03008	.SCREW, PAN HEAD	2				
16	4X8-24512-10	.GASKET	1				
17	3AC-24523-00	.VALVE PACKING	1				
18	90202-05193	WASHER, PLATE	2				
19	90149-06108	SCREW	2				
20	5PA-24182-00	DAMPER, LOCATING 2	1				
21	90465-13275	CLAMP	1				
22	1SN-24240-60	GRAPHIC SET	1				
23	5PA-24311-00	PIPE, FUEL 1	1				
24	90467-10008	CLIP	1				
25	90467-09002	CLIP	1				
26	5PA-24181-00	DAMPER, LOCATING 1	1				

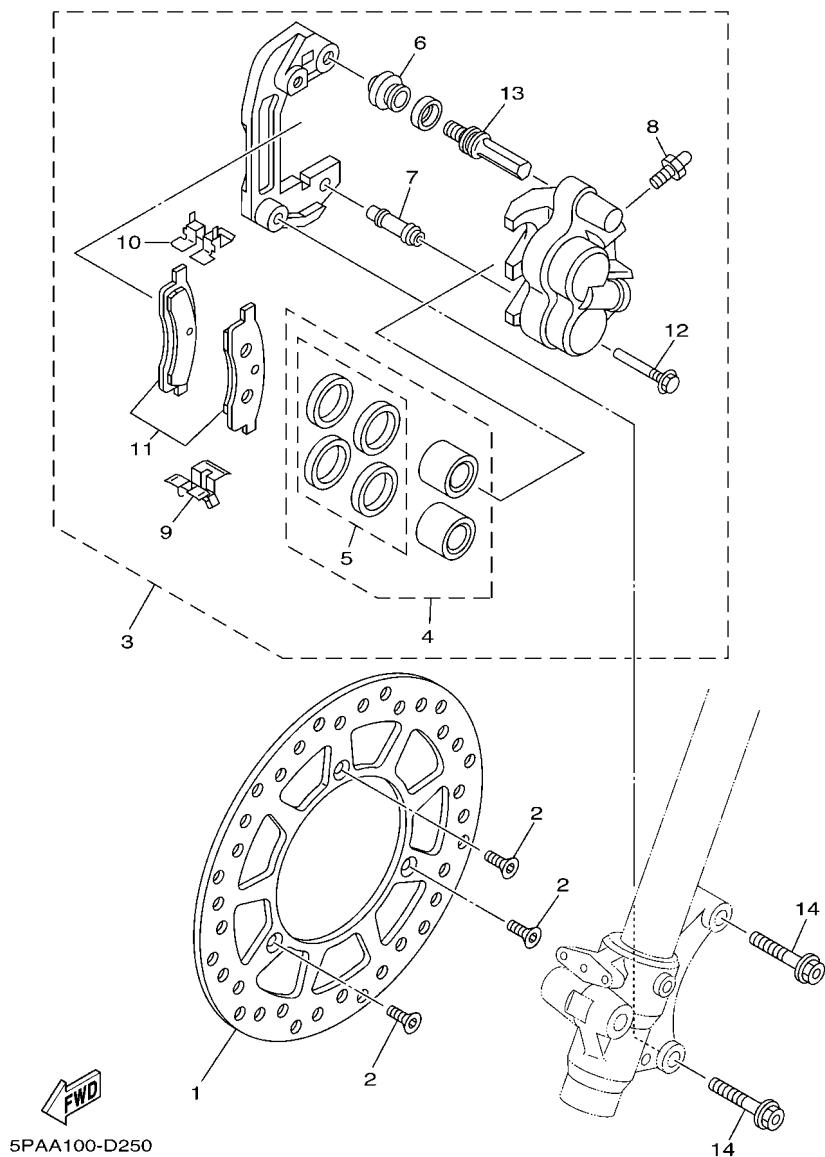


4ES1100-3240

FIG. 24 FRONT WHEEL

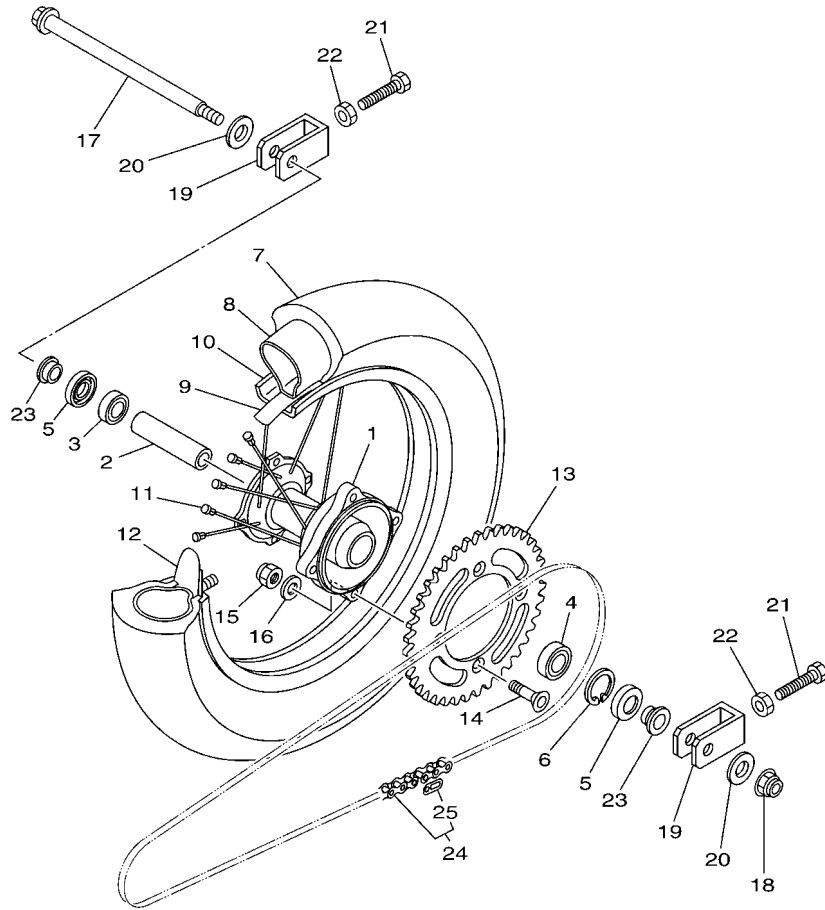
REF. NO.	PART NO.	DESCRIPTION	ISPK				REMARKS
1	4ES-25111-00	HUB, FRONT	1				
2	90387-124H0	COLLAR	1				
3	93306-20120	BEARING	2				
4	93106-20031	OIL SEAL	2				
5	94107-19020	TIRE (70/100-19 42M MX51F)	1				DUNLOP
6	94207-19290	TUBE (70/100-19M/C TR4)	1				DUNLOP
7	94307-19170	BAND, RIM (18-19)	1				DUNLOP
8	94414-19013	RIM (1.40-19)	1				
9	4LB-25104-00	SPOKE SET, FRONT	1				
10	1T1-25194-00	SPACER, BEAD	1				
11	4ES-25181-00	AXLE, WHEEL	1				
12	90185-12010	NUT, SELF-LOCKING	1				
13	90201-12055	WASHER, PLATE	2				
14	4ES-25183-10	COLLAR, WHEEL	2				

FIG. 25 FRONT BRAKE CALIPER



REF. NO.	PART NO.	DESCRIPTION	1SPK				REMARKS
1	5PA-2582T-00	DISC, BRAKE (LEFT)	1				
2	90149-06327	SCREW	3				
3	5PA-2580T-00	CALIPER ASSY (LEFT)	1				
4	4ES-W0057-10	.PISTON ASSY, CALIPER	1				
5	4ES-W0047-10	..CALIPER SEAL KIT	1				
6	5R2-25937-00	.BOOT 2	1				
7	56A-25937-00	.BOOT 2	1				
8	51L-W0048-00	.BLEED SCREW KIT	1				
9	56A-25919-00	.SUPPORT, PAD	1				
10	56A-25919-10	.SUPPORT, PAD	1				
11	5PA-W0045-00	.BRAKE PAD KIT	1				
12	56A-25926-00	.BOLT	1				
13	34X-25914-00	.PIN, SLIDE	1				
14	90105-08211	BOLT, FLANGE	2				

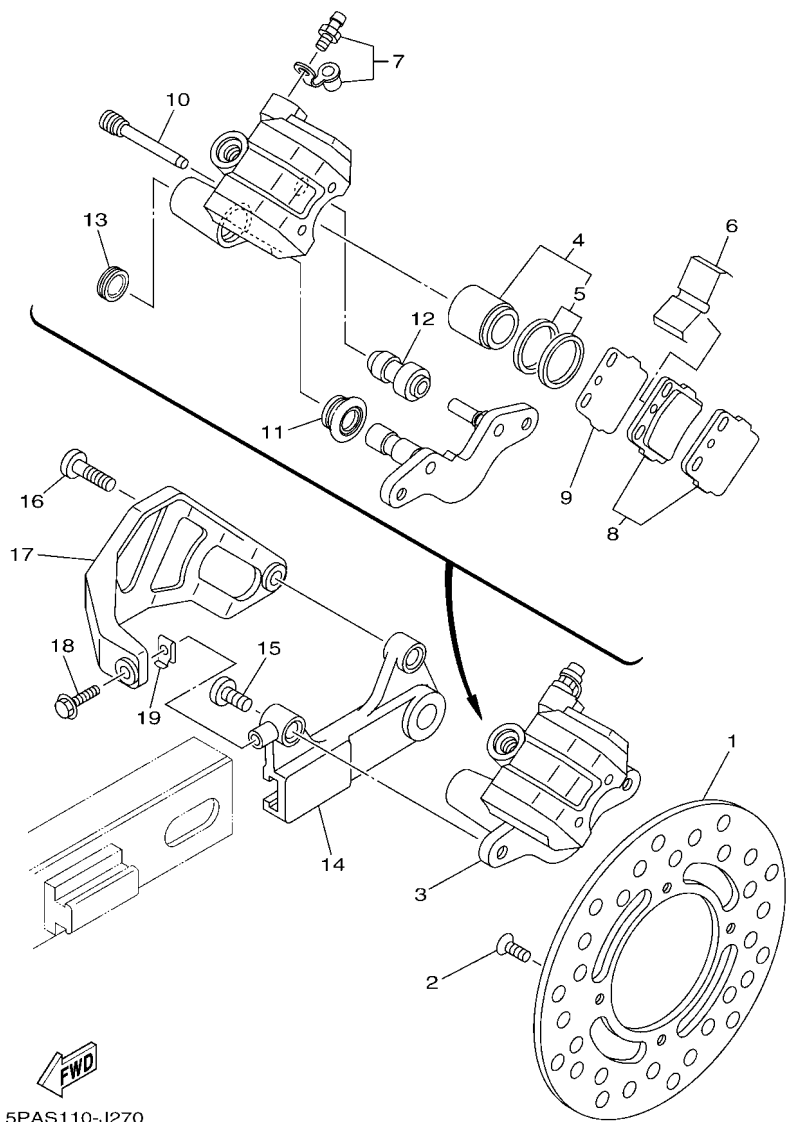
FIG. 26 REAR WHEEL



FWD
1SN1100-L260

REF. NO.	PART NO.	DESCRIPTION	ISPK				REMARKS
1	4ES-25311-00	HUB, REAR	1				
2	4ES-25383-00	COLLAR, WHEEL	1				
3	93306-00203	BEARING	1				
4	93306-20203	BEARING	1				
5	93102-20009	OIL SEAL	2				
6	99009-35500	CIRCLIP	1				
7	94109-16020	TIRE (90/100-16 52M MX51)	1				DUNLOP
8	94209-16291	TUBE (90/100-16M/C TR4)	1				DUNLOP
9	94307-16171	BAND, RIM (18-16)	1				DUNLOP
10	94418-16006	RIM (1.85-16)	1				
11	4LB-25304-00	SPOKE SET, REAR	1				
12	1T2-25394-00	SPACER, BEAD	1				
13	5PA-25452-00	SPROCKET, DRIVEN (52T)	1				STD
	5PA-25451-00	SPROCKET, DRIVEN (51T)	1				AP
	5PA-25453-00	SPROCKET, DRIVEN (53T)	1				AP
14	90152-08001	SCREW, COUNTERSUNK	4				
15	90185-08008	NUT, SELF-LOCKING	4				
16	90201-08043	WASHER, PLATE	4				
17	4ES-25381-01	AXLE, WHEEL	1				
18	90185-14012	NUT, SELF-LOCKING	1				
19	5PA-25388-00	PULLER, CHAIN 1	2				
20	90201-15027	WASHER, PLATE	2				
21	90101-08060	BOLT	2				
22	95302-08700	NUT, HEXAGON	2				
23	4ES-25383-10	COLLAR, WHEEL	2				
24	9Y582-43123	CHAIN (DID 428DS 124LL)	1				
25	94682-43001	.JOINT,CHAIN (DID 428DS-RJ)	1				

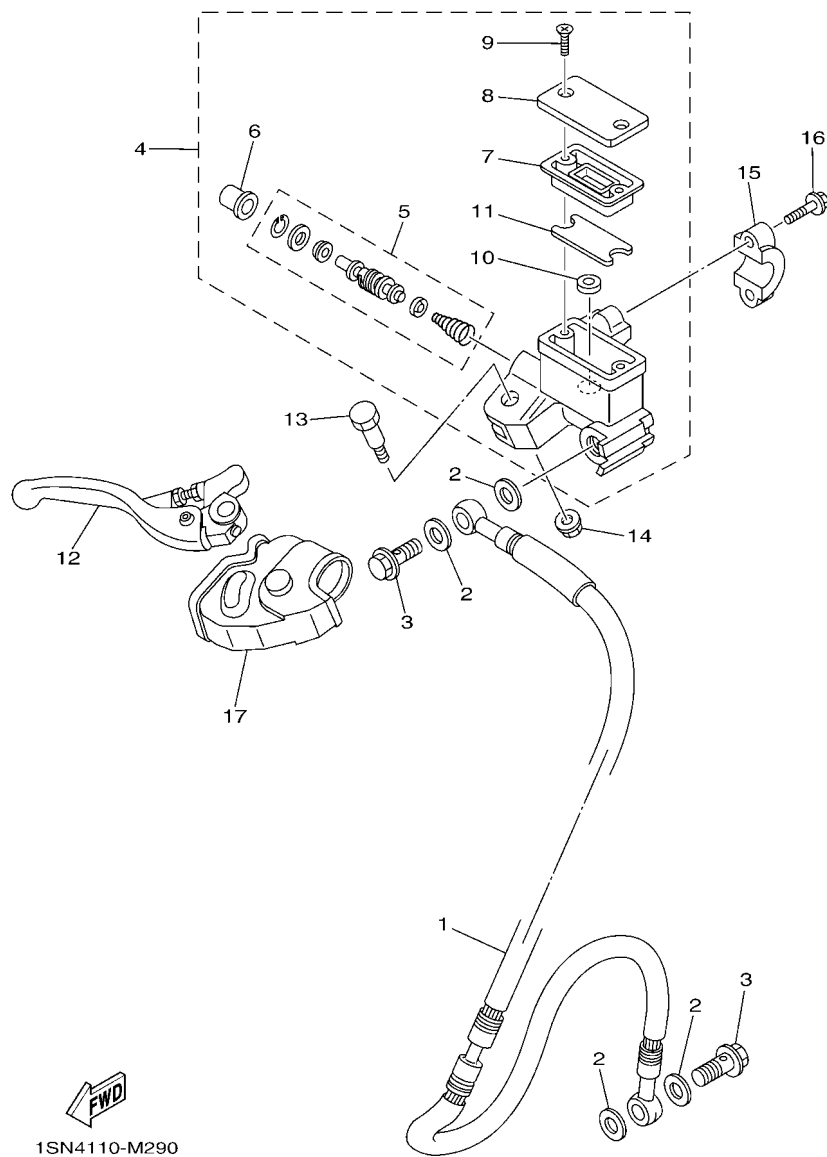
FIG. 27 REAR BRAKE CALIPER



5PAS110-J270

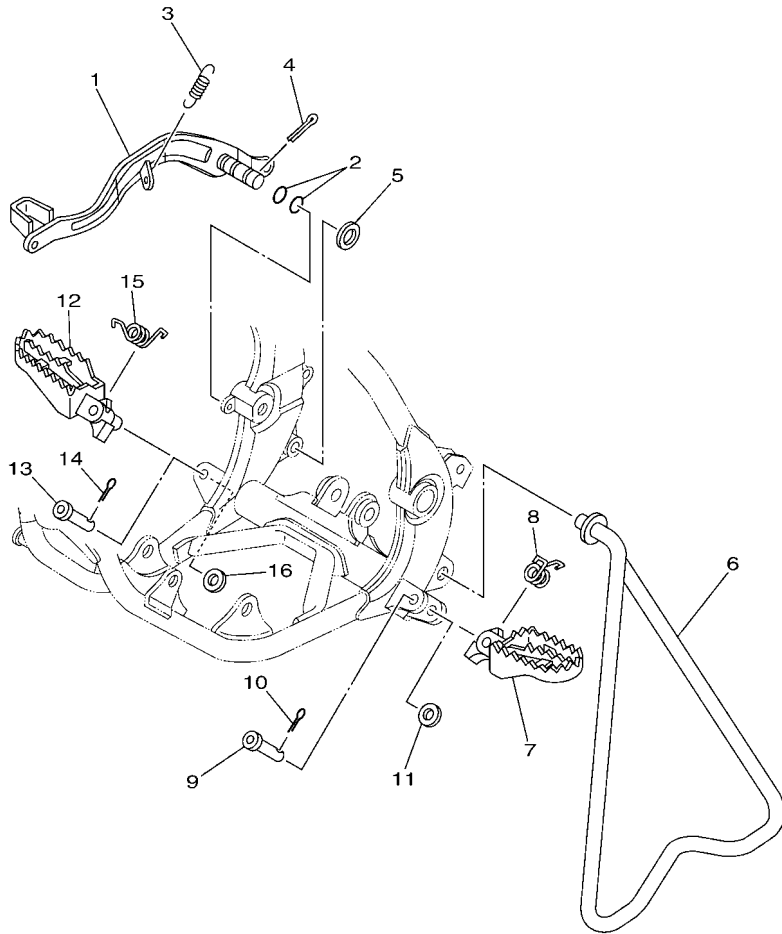
REF. NO.	PART NO.	DESCRIPTION	ISPK				REMARKS
1	5PA-2582W-00	DISK, REAR BRAKE 2	1				
2	90149-06327	SCREW	4				
3	5PA-2580W-00	CALIPER ASSY, REAR 2	1				
4	4EW-W0057-50	.PISTON ASSY, CALIPER	1				
5	4ES-W0047-00	..CALIPER SEAL KIT	1				
6	1UY-25919-51	.SUPPORT, PAD	1				
7	1UY-W0048-50	.BLEED SCREW KIT	1				
8	5PA-W0046-50	.BRAKE PAD KIT 2	1				
9	3GD-25827-00	.SHIM, CALIPER	1				
10	3GD-25933-00	.PIN, PAD	2				
11	1UY-25917-51	.BOOT, CALIPER	1				
12	1UY-25937-51	.BOOT 2	1				
13	3GD-25916-00	.PLUG	1				
14	4ES-25920-00	SUPPORT BRACKET ASSY	1				
15	90111-08029	BOLT,HEX. SOCKET BUTTON	1				
16	90109-08718	BOLT	1				
17	5PA-27491-00	PROTECTOR	1				
18	90105-06078	BOLT, FLANGE	1				
19	4ES-27114-00	STOPPER, MAIN STAND	1				

FIG. 29 FRONT MASTER CYLINDER



1SN4110-M290

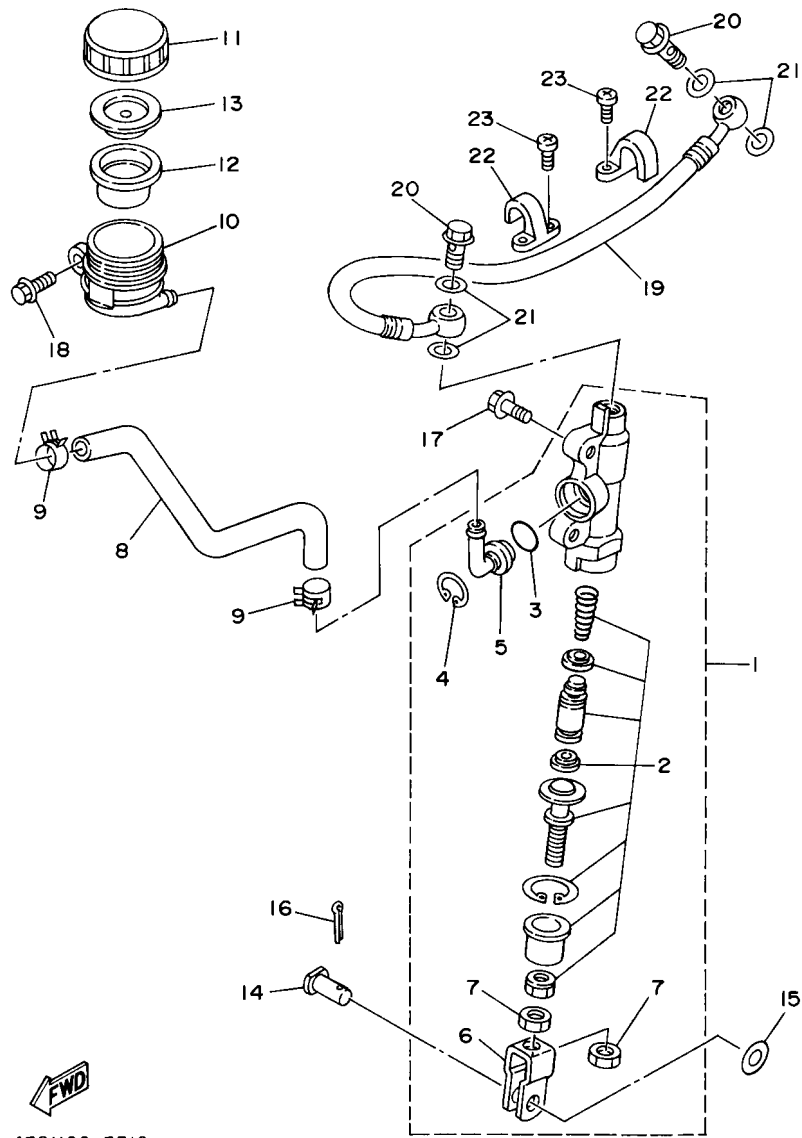
REF. NO.	PART NO.	DESCRIPTION	1SPK				REMARKS
1	5SH-25872-01	HOSE, BRAKE 1	1				
2	90430-10005	GASKET	4				
3	90401-10168	BOLT, UNION	2				
4	5XE-W2587-00	MASTER CYLINDER SUB ASSY	1				
5	5NY-W0041-01	.CYLINDER KIT, MASTER	1				
6	5NY-25868-00	.BOOT, MASTER CYLINDER	1				
7	5XE-25854-00	.DIAPHRAGM, RESERVOIR	1				
8	5MV-25852-01	.CAP, RESERVOIR	1				
9	98706-04012	.SCREW, FLAT HEAD	2				
10	5CG-25715-00	.SEPARATOR ASSY	1				
11	5XE-25853-00	.FLOAT, RESERVOIR	1				
12	5MV-83922-00	LEVER 2	1				
13	5MV-2589F-00	BOLT, LEVER	1				
14	95701-06500	NUT, WITH WASHER	1				
15	5MV-25867-00	BRACKET, MASTER CYLINDER	1				
16	5MV-25833-00	BOLT, FITTING	2				
17	5NY-26372-00	COVER, HANDLE LEVER 1	1				




 1SPK300-T300

FIG. 30 STAND & FOOTREST

REF. NO.	PART NO.	DESCRIPTION	1SPK				REMARKS
1	5PA-27211-00	PEDAL, BRAKE	1				
2	93210-11073	O-RING	2				
3	90506-15480	SPRING, TENSION	1				
4	91401-20025	PIN, COTTER	1				
5	90201-15700	WASHER, PLATE	1				
6	5SH-27311-00	STAND, SIDE	1				
7	5ET-27411-00	FOOTREST 1	1				
8	90508-282B8	SPRING, TORSION	1				
9	90240-10004	PIN, CLEVIS	1				
10	91401-25015	PIN, COTTER	1				
11	90201-10119	WASHER, PLATE	1				
12	5ET-27421-00	FOOTREST 2	1				
13	90240-10004	PIN, CLEVIS	1				
14	91401-25015	PIN, COTTER	1				
15	90508-282B9	SPRING, TORSION	1				
16	90201-10119	WASHER, PLATE	1				



4ES1100-3310

FIG. 31 REAR MASTER CYLINDER

REF. NO.	PART NO.	DESCRIPTION	ISPK				REMARKS
1	4ES-2583V-00	RR. MASTER CYLINDER ASSY.	1				
2	1FK-W0042-50	.CYLINDER KIT, MASTER	1				
3	93210-15620	.O-RING	1				
4	2VN-25866-00	.CIRCLIP	1				
5	2VN-2582A-50	.JOINT	1				
6	2YK-27222-00	.JOINT	1				
7	95307-08600	.NUT	2				
8	4ES-25895-00	HOSE, RESERVOIR	1				
9	90467-11044	CLIP	2				
10	4EW-25894-00	TANK, RESERVOIR	1				
11	3XP-25852-50	CAP, RESERVOIR	1				
12	2VN-25854-00	DIAPHRAGM, RESERVOIR	1				
13	2VN-25855-00	BUSH,DIAPHRAGM	1				
14	90240-08124	PIN, CLEVIS	1				
15	90201-08083	WASHER, PLATE	1				
16	91401-16012	PIN, COTTER	1				
17	95022-06016	BOLT, FLANGE	2				
18	95022-06012	BOLT, FLANGE	1				
19	5SH-25873-01	HOSE, BRAKE 2	1				
20	90401-10168	BOLT, UNION	2				
21	90430-10005	GASKET	4				
22	2VM-25876-00	HOLDER, BRAKE HOSE 2	2				
23	98502-05010	SCREW, PAN HEAD	4				

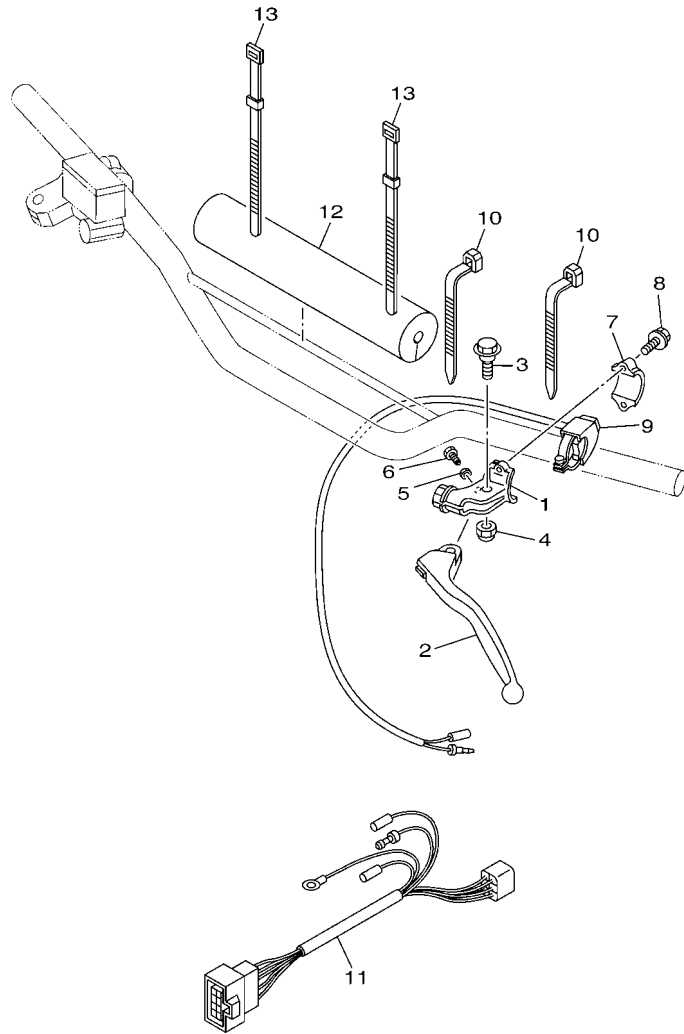


FIG. 33 HANDLE SWITCH & LEVER

REF. NO.	PART NO.	DESCRIPTION	1SPK				REMARKS
1	17D-82911-00	HOLDER, LEVER 1	1				
2	1SS-83912-00	LEVER 1	1				
3	90109-06034	BOLT	1				
4	5LP-84126-10	NUT, LENS FITTING	1				
5	95302-05600	NUT, HEXAGON	1				
6	90101-05005	BOLT	1				
7	33D-82913-00	HOLDER, LEVER LOWER 1	1				
8	95022-06020	BOLT, FLANGE	2				
9	22W-83976-01	SWITCH, HANDLE 1	1				
10	90464-13077	CLAMP	2				
11	5PA-82509-00	WIRE, SUB LEAD	1				
12	2X1-26124-00	PROTECTOR, HANDLEBAR	1				
13	437-83936-11	BAND, SWITCH CORD	2				



1SNA110-P330

NUMERICAL INDEX

PART NO.	REF. NO.	PART NO.	REF. NO.	PART NO.	REF. NO.	PART NO.	REF. NO.	PART NO.	REF. NO.	PART NO.	REF. NO.
5PA-11111-01	1 - 1	5PA-14392-00	6 - 7	5PA-15651-00	10 - 8	1SL-21719-00	17 - 9	4ES-23142-00	21 - 13	3XJ-24380-00	22 - 11
5PA-11311-30	1 - 8	5PA-14411-10	5 - 16	5PA-15660-00	10 - 1	1SN-21720-00	17 - 6		21 - 33	4DP-24500-10	22 - 13
4ES-11351-00	1 - 9	5PA-14417-00	5 - 22	5PA-15660-00	10 - 6	5PH-2172A-11	17 - 18	4ES-23144-00	21 - 9	4X8-24512-10	22 - 16
5PA-11400-00	2 - 1	5PA-14451-00	5 - 17	5PA-16111-00	11 - 1	1SN-21730-00	17 - 12		21 - 29	3AC-24523-00	22 - 17
5PA-11412-00	2 - 2	5PA-14453-00	5 - 10	5PA-16150-10	11 - 6	5PA-21748-00	17 - 14	4ES-23145-00	21 - 7	3AJ-24534-10	22 - 14
5PA-11422-00	2 - 3	5PA-14458-00	5 - 18	5PA-16181-00	11 - 23	1SN-2174G-60	17 - 15		21 - 27	5NY-24610-10	22 - 9
5PA-11611-00	2 - 10	5PA-14459-00	5 - 11	21V-16321-00	11 - 12	5FK-2175C-30	16 - 14	5K5-23149-00	21 - 6	1SN-2470F-10	23 - 2
	36 - 3	4ES-14462-00	5 - 12	4ES-16321-00	11 - 11		20 - 16		21 - 26	5PA-24718-00	23 - 3
5PA-11630-00	36 - 1	676-14548-00	6 - 20	131-16324-00	11 - 10	5SH-22110-10	18 - 1	5PA-23149-00	21 - 16	5PA-24728-00	23 - 4
5PA-11631-00-A0	2 - 8	4MX-14561-00	6 - 6	2TK-16351-00	11 - 9	5PA-22128-00	18 - 15		21 - 36	1SN-24770-10	23 - 1
5PA-11631-00-B0	2 - 8	5PA-14610-00	7 - 1	4ES-16356-00	11 - 17	4ES-22129-00	18 - 23	4ES-2314F-00	21 - 44	4LB-25104-00	24 - 9
	36 - 2	17W-14615-00	7 - 18	5PA-16357-00	11 - 18	5PA-22151-00	18 - 11	5PA-2314H-L0	21 - 46	4ES-25111-00	24 - 1
5PA-11631-00-C0	2 - 8	5PA-14642-00	7 - 7	5PA-16371-10	11 - 8	5PA-22176-00	18 - 31	5PA-2314J-L0	21 - 48	4ES-25181-00	24 - 11
5PA-11631-00-D0	2 - 8	4ES-1469A-00	7 - 12	4ES-16381-00	11 - 22	30X-22178-00	15 - 8	4A1-23156-00	21 - 8	22W-25181-01	18 - 2
4ES-11633-00	2 - 9	4ES-14753-20	7 - 11	4ES-17121-01	12 - 5	4ES-22178-00	15 - 12		21 - 28	4ES-25183-10	24 - 14
	36 - 4	565-14771-00	7 - 9	4ES-17131-03	12 - 3	5PA-2217A-00	18 - 20	2HH-23158-L0	21 - 12	1T1-25194-00	24 - 10
4ES-11650-10	36 - 6	5PA-14916-KE	6 - 9	4ES-17151-10	12 - 2	4ES-2217F-00	18 - 35		21 - 32	4LB-25304-00	26 - 11
4ES-11651-10	2 - 4	5PA-14916-KF	6 - 9	4ES-17161-10	12 - 4	4V4-22184-00	15 - 9	5SH-2316A-00	21 - 11	4ES-25311-00	26 - 1
	36 - 7	5PA-14916-KG	6 - 9	1SN-17211-00	12 - 17	5PA-22184-00	18 - 33		21 - 31	4ES-25381-01	26 - 17
2RA-11681-00	2 - 6	5PA-14916-LE	6 - 9	1SN-17221-00	12 - 12	5PA-22199-00	18 - 14	5PA-23170-00	21 - 10	4ES-25383-00	26 - 2
	36 - 9	5PA-14916-LF	6 - 9	4ES-17231-10	12 - 14	5SH-22201-40	19 - 2		21 - 30	4ES-25383-10	26 - 23
4BA-12422-00	3 - 9	5PA-14916-LG	6 - 9	5PA-17241-00	12 - 15	5SH-22210-40	19 - 1	5PA-23171-00	21 - 4	5PA-25388-00	26 - 19
4BA-12428-00	3 - 10	4MX-14919-00	6 - 10	4ES-17251-00	12 - 16	4ES-22212-F0	35 - 1		21 - 24	1T2-25394-00	26 - 12
5PA-12451-00	3 - 4	5HC-14922-00	6 - 23	5PA-17261-01	12 - 13	4ES-22212-G0	19 - 6	58T-23184-L0	19 - 4	5PA-25451-00	26 - 13
5PA-12459-00	3 - 1	5HC-14934-00	6 - 24	5PA-17411-00	12 - 1	4ES-22212-K0	35 - 1	4V4-23188-L0	21 - 18	5PA-25452-00	26 - 13
5PA-12461-00	4 - 1	4MX-14943-34	6 - 22	5PA-17421-00	12 - 11	3JD-22214-00	19 - 8		21 - 38	5PA-25453-00	26 - 13
22W-12462-00	4 - 2	4MX-14943-35	6 - 22	164-17427-00-06	12 - 20	4ES-22214-00	19 - 7	4V4-23194-L0	21 - 45	5CG-25715-00	29 - 10
22W-12463-00	4 - 3	4MX-14943-85	6 - 22	164-17427-00-08	12 - 20	4ES-22216-00	19 - 3	5PA-23318-00	21 - 51	5PA-2580T-00	25 - 3
4ES-12481-10	4 - 5	4MX-14943-86	6 - 22	164-17427-00-10	12 - 20	4ES-22251-00	19 - 9	5PA-2331E-10	21 - 43	5PA-2580W-00	27 - 3
5PA-12482-00	4 - 7	5PA-14947-00	6 - 30	5PA-18101-00	14 - 1	5PA-22253-00	18 - 34	1SN-23340-10	21 - 41	3GD-25827-00	27 - 9
353-13115-01	8 - 8	4MX-14948-05	6 - 8	2HF-18110-02	14 - 9	4AA-22259-40	19 - 5	5PA-23346-00	21 - 42	2VN-2582A-50	31 - 5
5PA-13565-00	5 - 6	4MX-14948-06	6 - 8	5PA-1811E-00	14 - 6	5PA-22475-00	18 - 32	3XJ-23357-L0	21 - 14	5PA-2582T-00	25 - 1
4ES-13610-00	5 - 1	5PA-1496A-00	6 - 29	5PA-18140-00	14 - 7	5SH-23102-10	21 - 1		21 - 34	5PA-2582W-00	27 - 1
4ES-13613-00	5 - 2	5PA-14984-00	6 - 4	4ES-18511-02	13 - 2	5SH-23103-10	21 - 21	4DA-23389-00	20 - 2	5MV-25833-00	29 - 16
4ES-13616-00	5 - 3	5PA-14985-00	6 - 3	5R2-18512-00	13 - 3	5PA-23110-00	21 - 23	3JD-23394-00	21 - 19	4ES-2583V-00	31 - 1
5PA-14101-00	6 - 1	5PA-15111-01	8 - 1	4ES-18513-01	13 - 4	4ES-23111-10	21 - 17		21 - 39	5MV-25852-01	29 - 8
5PA-14105-00	6 - 13	5PA-15118-00	8 - 10	4BA-18531-00	13 - 6		21 - 37	1J7-23415-00	20 - 6	3XP-25852-50	31 - 11
5PA-1410E-00	6 - 18	5PA-15121-11	8 - 2	4BA-18535-00	13 - 7	5PA-23120-00	21 - 3	1SN-23435-10	20 - 8	5XE-25853-00	29 - 11
4MX-14115-00	6 - 5	3Y1-15363-10	9 - 11	4ES-18540-00	13 - 1	5PA-23125-00	21 - 5	1E6-23441-10-PO	20 - 12	2VN-25854-00	31 - 12
5PA-14126-00	6 - 12	4ES-15411-01	9 - 1	5PA-21101-12-33	15 - 1		21 - 25	1SN-23485-01	20 - 14	5XE-25854-00	29 - 7
5PA-14131-00	6 - 14	5PA-15415-10	9 - 13	5PA-21190-00-33	15 - 2	3JD-2312G-L0	21 - 20	5PA-24110-30	22 - 1	2VN-25855-00	31 - 13
3TJ-14137-40	6 - 21	5PA-15431-01	9 - 4	5PA-21274-10	15 - 15		21 - 40	4EW-2412F-00	22 - 7	2VN-25866-00	31 - 4
5PA-14146-00	6 - 28	5PA-15451-00	9 - 3	1SN-21510-00	16 - 1	5PA-23136-10	21 - 2	3HA-24141-00	15 - 17	5MV-25867-00	29 - 15
5PA-14159-00	6 - 15	4ES-15461-00	9 - 5	4XL-2153A-10	21 - 47		21 - 22	5XE-24144-00	22 - 2	5NY-25868-00	29 - 6
4JT-14171-00	6 - 2	5PA-15463-00	9 - 14		21 - 49	4LB-23141-10	21 - 15	5PA-24181-00	22 - 26	5SH-25872-01	29 - 1
5PA-14194-00	6 - 25	5PA-15620-01	10 - 11	5PA-21611-00	16 - 6		21 - 35	5PA-24182-00	22 - 20	5SH-25873-01	31 - 19
4XL-14197-10	6 - 19	5PA-15621-00	10 - 12	4ES-21642-00	16 - 11	4ES-23141-40	35 - 2	1SN-24240-60	22 - 22	2VM-25876-00	31 - 22
5PA-14340-00	6 - 11	5PA-15641-00	10 - 2	1SN-21710-00	17 - 1	4ES-23141-70	35 - 2	5PA-24311-00	22 - 23	4EW-25894-00	31 - 10

NUMERICAL INDEX

PART NO.	REF. NO.	PART NO.	REF. NO.	PART NO.	REF. NO.	PART NO.	REF. NO.	PART NO.	REF. NO.	PART NO.	REF. NO.
4ES-25895-00	31 - 8	5PA-85546-00	34 - 2	90119-06239	16 - 12	90201-171G6	11 - 24	90387-127J8	18 - 7	92017-06010	7 - 13
5MV-2589F-00	29 - 13	4SS-85550-11	32 - 2	90119-06240	17 - 4	90201-17545	12 - 8	90387-202A0	12 - 29	92902-03100	5 - 5
34X-25914-00	25 - 13	5PA-85560-01	32 - 1		17 - 10	90201-17558	11 - 7	90387-20488	11 - 2	92902-10600	19 - 11
3GD-25916-00	27 - 13	5NY-W0041-01	29 - 5	90119-06262	22 - 6	90201-176L4	10 - 4	90387-227H7	28 - 10	92903-04600	6 - 17
1UY-25917-51	27 - 11	1FK-W0042-50	31 - 2	90122-06010	5 - 20	90201-177G4	14 - 5	90401-10168	29 - 3		6 - 27
56A-25919-00	25 - 9	5PA-W0045-00	25 - 11	90149-06108	22 - 19	90201-20611	12 - 22		31 - 20	92907-06100	23 - 6
56A-25919-10	25 - 10	5PA-W0046-50	27 - 8		32 - 3	90201-220T0	20 - 9	90430-06166	3 - 11	93101-12173	14 - 8
1UY-25919-51	27 - 6	4ES-W0047-00	27 - 5	90149-06327	25 - 2	90201-256K5	20 - 5	90430-08119	9 - 10	93101-17062	18 - 27
4ES-25920-00	27 - 14	4ES-W0047-10	25 - 5		27 - 2	90201-33299	7 - 2	90430-10005	29 - 2		18 - 37
56A-25926-00	25 - 12	51L-W0048-00	25 - 8	90151-06045	10 - 15	90202-05193	22 - 18		31 - 21	93102-12106	3 - 7
3GD-25933-00	27 - 10	1UY-W0048-50	27 - 7	90152-08001	26 - 14	90208-12015	11 - 4	90445-08376	8 - 9	93102-12224	11 - 21
56A-25937-00	25 - 7	4ES-W0057-10	25 - 4	90157-05029	20 - 3		11 - 15	90445-09003	22 - 10	93102-17263	10 - 7
5R2-25937-00	25 - 6	4EW-W0057-50	27 - 4	90176-08005	1 - 6	90209-06096	5 - 19	90445-09005	22 - 12	93102-20009	26 - 5
1UY-25937-51	27 - 12	5XE-W2587-00	29 - 4	90179-08019	1 - 13	90209-14008	12 - 7	90450-25001	4 - 6	93102-20447	2 - 17
1SN-26111-00	28 - 1	90101-05005	33 - 6	90179-12007	11 - 5	90209-16209	12 - 18	90450-28014	4 - 8	93102-26042	12 - 27
2X1-26124-00	33 - 12	90101-08060	26 - 21		11 - 16	90209-20159	2 - 7	90450-41001	5 - 8	93102-28009	2 - 16
4GY-26241-00	28 - 4	90101-12755	18 - 39	90179-16226	12 - 31		36 - 10	90450-99064	5 - 15	93106-20031	24 - 4
4GY-26242-00	28 - 2	90105-06064	17 - 16	90179-22025	20 - 10	90215-20261	12 - 30	90460-15126	34 - 3	93109-11073	3 - 6
22W-26243-00	28 - 3		20 - 15	90179-25004	20 - 7	90240-08124	31 - 14	90460-56071	5 - 9	93109-17071	18 - 10
5X2-26281-00	28 - 5	90105-06078	27 - 18	90183-060A7	16 - 10	90240-10004	30 - 9	90461-10136	8 - 12	93210-11073	30 - 2
322-26282-00	28 - 6	90105-06127	16 - 4	90185-08008	26 - 15		30 - 13	90464-13077	4 - 12	93210-12152	10 - 16
5X2-2628H-01	28 - 7	90105-06180	34 - 5	90185-10018	19 - 12	90250-06013	13 - 5		33 - 10	93210-15620	31 - 3
5PA-26311-00	28 - 11	90105-06210	16 - 3	90185-12010	24 - 12	90267-48138	5 - 13	90464-25004	32 - 6	93210-19123	9 - 12
1SN-26335-00	28 - 12	90105-08126	8 - 11	90185-12011	18 - 40	90280-03045	2 - 13	90465-13275	22 - 21	93210-56459	1 - 3
17D-26337-00	28 - 14	90105-08211	25 - 14	90185-14012	26 - 18	90282-05001	11 - 3	90467-08002	4 - 4	93210-84724	1 - 4
34P-26342-00	28 - 13	90105-10219	15 - 6	90201-043H7	5 - 14	90336-06031	10 - 17	90467-09002	22 - 25	93306-00105	3 - 8
34P-26372-00	28 - 15	90105-10220	15 - 5	90201-06050	7 - 14	90338-10150	18 - 43	90467-10008	22 - 24	93306-00203	26 - 3
5NY-26372-00	29 - 17	90105-10582	18 - 24	90201-06060	10 - 19	90380-10218	18 - 22	90467-11044	31 - 9	93306-20120	24 - 3
4ES-27114-00	27 - 19	90105-10614	19 - 13		12 - 9	90380-12219	18 - 28	90468-23194	10 - 3	93306-20203	26 - 4
5PA-27211-00	30 - 1	90109-06034	33 - 3	90201-06086	7 - 5	90381-12091	18 - 38	90480-15528	4 - 10	93306-20333	12 - 23
2YK-27222-00	31 - 6	90109-065F3	5 - 21	90201-06108	16 - 5	90385-17042	18 - 5	90480-16561	7 - 15	93306-20401	12 - 26
5SH-27311-00	30 - 6	90109-08718	27 - 16	90201-08043	26 - 16	90387-06009	17 - 2	90480-18411	7 - 3	93306-20438	2 - 14
5ET-27411-00	30 - 7	90109-10729	19 - 10	90201-08078	15 - 10		17 - 7	90480-18549	22 - 4	93306-30421	2 - 15
5ET-27421-00	30 - 12	90109-12015	18 - 29	90201-08083	31 - 15		17 - 13	90501-12081	10 - 13	93310-21417	2 - 12
5PA-27491-00	27 - 17	90110-06182	12 - 10	90201-080L8	1 - 7	90387-06027	22 - 5	90501-204A0	11 - 13		36 - 11
5PG-2816R-00	16 - 13	90111-08029	15 - 3	90201-08512	3 - 2	90387-0614M	4 - 11	90506-15480	30 - 3	93310-420B1	2 - 5
14B-28227-00	4 - 14		27 - 15		3 - 5	90387-06168	7 - 16	90507-20052	7 - 8		36 - 8
5PA-82310-00	34 - 4	90116-08027	1 - 5	90201-10119	30 - 11	90387-06180	18 - 13	90508-14016	11 - 25	93315-11206	11 - 20
8DG-82370-00	34 - 6	90116-08028	1 - 11		30 - 16	90387-06259	16 - 2	90508-24007	14 - 3	93315-21455	18 - 21
5PA-82509-00	33 - 11	90116-08031	1 - 10	90201-10591	32 - 5	90387-064X4	16 - 8	90508-26750	10 - 5	93315-31502	12 - 25
17D-82911-00	33 - 1	90119-05001	11 - 14	90201-11016	19 - 14	90387-067K6	15 - 14	90508-282B8	30 - 8	93317-11245	12 - 24
33D-82913-00	33 - 7	90119-06133	16 - 7	90201-12032	18 - 4	90387-0701A	16 - 9	90508-282B9	30 - 15	93317-21746	18 - 6
1SS-83912-00	33 - 2	90119-06159	15 - 13	90201-12047	18 - 41	90387-1001B	17 - 3	90508-32016	14 - 2	93317-31771	18 - 26
5MV-83922-00	29 - 12	90119-06166	17 - 17	90201-12049	18 - 42		17 - 8	91401-16012	31 - 16		18 - 36
437-83936-11	33 - 13	90119-06181	4 - 9	90201-12055	24 - 13	90387-105L0	7 - 4	91401-20025	30 - 4	93332-00079	20 - 1
22W-83976-01	33 - 9	90119-06217	7 - 10	90201-124F8	10 - 9	90387-1200U	18 - 9	91401-25015	30 - 10		20 - 4
5LP-84126-10	33 - 4		17 - 5	90201-15027	26 - 20	90387-124H0	24 - 2		30 - 14	93410-20038	12 - 19
1SP-85540-00	34 - 1		17 - 11	90201-15700	30 - 5	90387-127J7	18 - 8	92012-06040	18 - 16	93440-07182	3 - 3

NUMERICAL INDEX

PART NO.	REF. NO.	PART NO.	REF. NO.	PART NO.	REF. NO.	PART NO.	REF. NO.	PART NO.	REF. NO.	PART NO.	REF. NO.
93440-15012	12 - 21	95602-12200	18 - 30								
93440-17064	12 - 6	95612-12100	18 - 3								
93450-16115	2 - 11	95701-06500	29 - 14								
	36 - 5	95812-08125	15 - 4								
93503-16003	11 - 19	95822-06010	4 - 13								
93507-32009	10 - 14	95822-06060	3 - 12								
9382A-14227	12 - 28	97007-06012	23 - 5								
9382A-15228	12 - 28	97022-06020	14 - 10								
94107-19020	24 - 5	98502-03006	5 - 4								
94109-16020	26 - 7	98502-05010	31 - 23								
94207-19290	24 - 6	98502-05016	28 - 9								
94209-16291	26 - 8	98502-06030	9 - 2								
94307-16171	26 - 9	98502-06040	8 - 4								
94307-19170	24 - 7	98502-06050	8 - 5								
94414-19013	24 - 8	98502-06060	8 - 6								
94418-16006	26 - 10	98502-06070	8 - 7								
94682-43001	26 - 25	98504-04012	6 - 26								
94702-00368	1 - 2	98504-04014	6 - 16								
95022-06012	10 - 18	98507-03008	22 - 15								
	15 - 16	98702-04012	28 - 8								
	31 - 18	98702-06025	22 - 8								
95022-06014	18 - 12	98706-04012	29 - 9								
95022-06016	31 - 17	99009-10400	13 - 8								
95022-06020	5 - 7	99009-12400	10 - 10								
	21 - 52	99009-17400	14 - 4								
	33 - 8	99009-35500	26 - 6								
95022-06025	3 - 13	99530-08016	9 - 15								
	7 - 6	99530-10014	8 - 3								
	7 - 17		9 - 6								
	9 - 16	99590-10114	1 - 12								
95022-06030	9 - 7	9Y582-43123	26 - 24								
95022-06035	9 - 17										
95022-06040	9 - 8										
95022-08012	15 - 11										
95022-08030	20 - 13										
95022-08040	20 - 11										
95022-08050	18 - 18										
95022-08080	9 - 9										
95024-06010	21 - 50										
95027-06016	22 - 3										
95302-05600	33 - 5										
95302-08700	26 - 22										
95307-08600	31 - 7										
95312-10600	32 - 4										
95602-06200	18 - 17										
95602-08200	18 - 19										
95602-10200	15 - 7										
	18 - 25										