

# PARTS CATALOGUE

**YZ450FY** (34P1) CANADA

**YZ450F** (34P2) EUROPE

**YZ450F** (34P3) JAPAN

**YZ450FY** (34P4) OCEANIA, SOUTH AFRICA

YZ450FY/YZ450F  
PARTS CATALOGUE  
©2008 by Yamaha Motor Co., Ltd.  
1st edition, June 2008  
All rights reserved.  
Any reprinting or unauthorized use  
without the written permission of  
Yamaha Motor Co., Ltd.  
is expressly prohibited.  
Printed in Japan.

# FOREWORD

This Parts Catalogue is related to the parts for the model(s) on the cover page. When you are ordering replacement parts, please refer to this Parts Catalogue and quote both part numbers and part names correctly.

1. Modifications or additions which have been made after the issue of the Parts Catalogue will be announced in the Parts News.

It is advisable that you make the necessary corrections to the Parts Catalogue according to the Parts News.

2. Abbreviations

The following abbreviations are used in this Parts Catalogue.

“UR” Use specified parts number.

“UN” Use as many as needed.

“AP” Alternate Parts

“LM” Locally Made (Parts need to be ordered locally)

“F#” Frame No. (Applicable machine No.)

“O/S” Over Size

3. The number of components for assembly

- Parts, which are to be supplied in an assembly, are listed with a dot (.) in front of the part name as shown below.
- The numeral appearing to the right of each component part indicates the quantity of parts for each assembly unit.

PART NO.	DESCRIPTION	Q'TY	REMARKS
2F5-83310-60	FRONT FLASHER LIGHT ASSY	2	
115-83311-60	.BULB (6V-18W)	1	

4. Applicable colours of graphics are represented in the “REMARKS” as shown below.

PART NO.	DESCRIPTION	Q'TY	REMARKS
2N4-24110-00-X5	FUEL TANK COMP.	2	MXR
3J1-24240-10	.GRAPHIC, FUEL TANK	1	FOR MXR

5. Note that the illustrations for reference in finding parts numbers are not to be used for assembling. When assembling, please use the applicable service manual.

6. The asterisk (\*) before a reference number indicates modified items after the first edition.





# CONTENTS

## ENGINE

CYLINDER .....	1
CRANKSHAFT & PISTON .....	3
VALVE .....	4
CAMSHAFT & CHAIN .....	6
WATER PUMP .....	7
RADIATOR & HOSE .....	8
OIL PUMP .....	10
OIL CLEANER .....	11
INTAKE .....	12
CARBURETOR .....	13
EXHAUST .....	17
EXHAUST 2 .....	18
CRANKCASE .....	19
CRANKCASE COVER 1 .....	21
STARTER .....	23
CLUTCH .....	24
TRANSMISSION .....	25
SHIFT CAM & FORK .....	27
SHIFT SHAFT .....	28

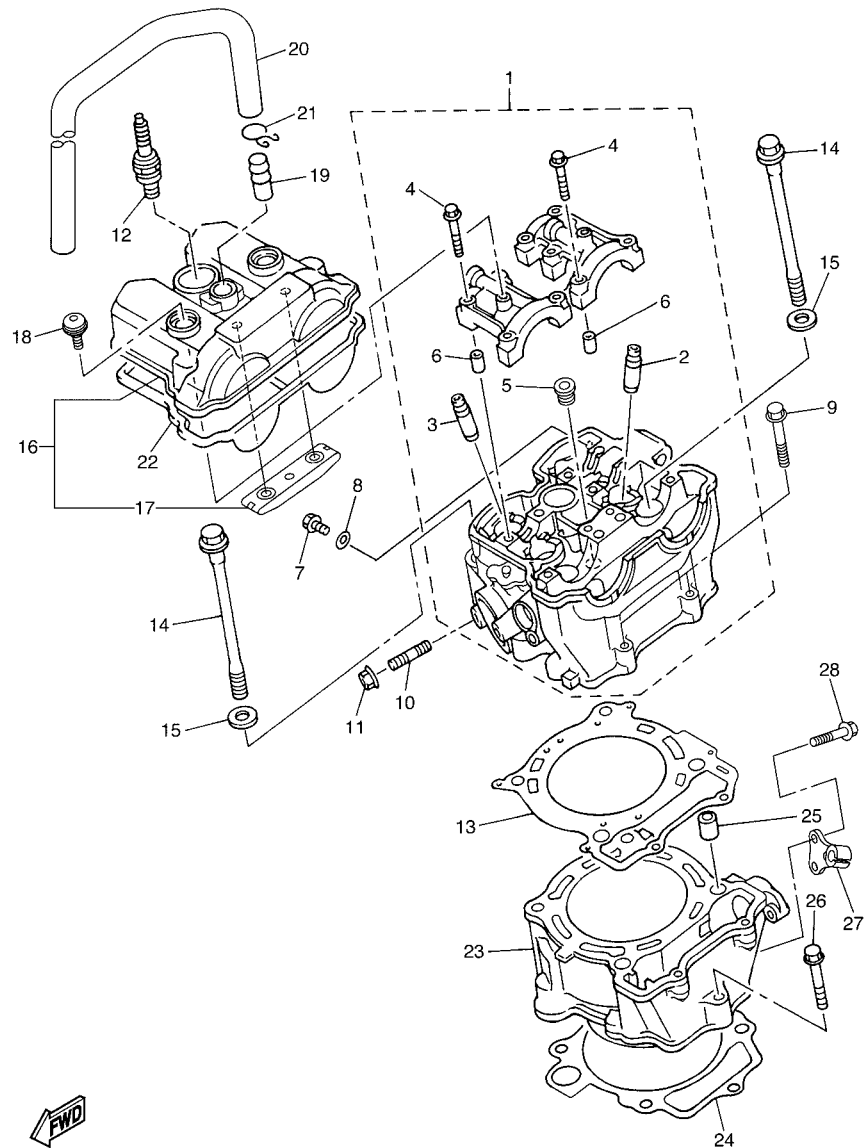
## CHASSIS

FRAME .....	29
FENDER .....	31
SIDE COVER .....	33
REAR ARM .....	34
REAR SUSPENSION .....	36
STEERING .....	38
FRONT FORK .....	39
FUEL TANK .....	42
SEAT .....	44
FRONT WHEEL .....	45
FRONT BRAKE CALIPER .....	46
REAR WHEEL .....	47
REAR BRAKE CALIPER .....	49
STEERING HANDLE & CABLE .....	50
FRONT MASTER CYLINDER .....	51
STAND & FOOTREST .....	52
REAR MASTER CYLINDER .....	53
GENERATOR .....	54
HANDLE SWITCH & LEVER .....	55
ELECTRICAL 1 .....	56

ALTERNATE FOR CHASSIS .....	57
-----------------------------	----

## INDEX

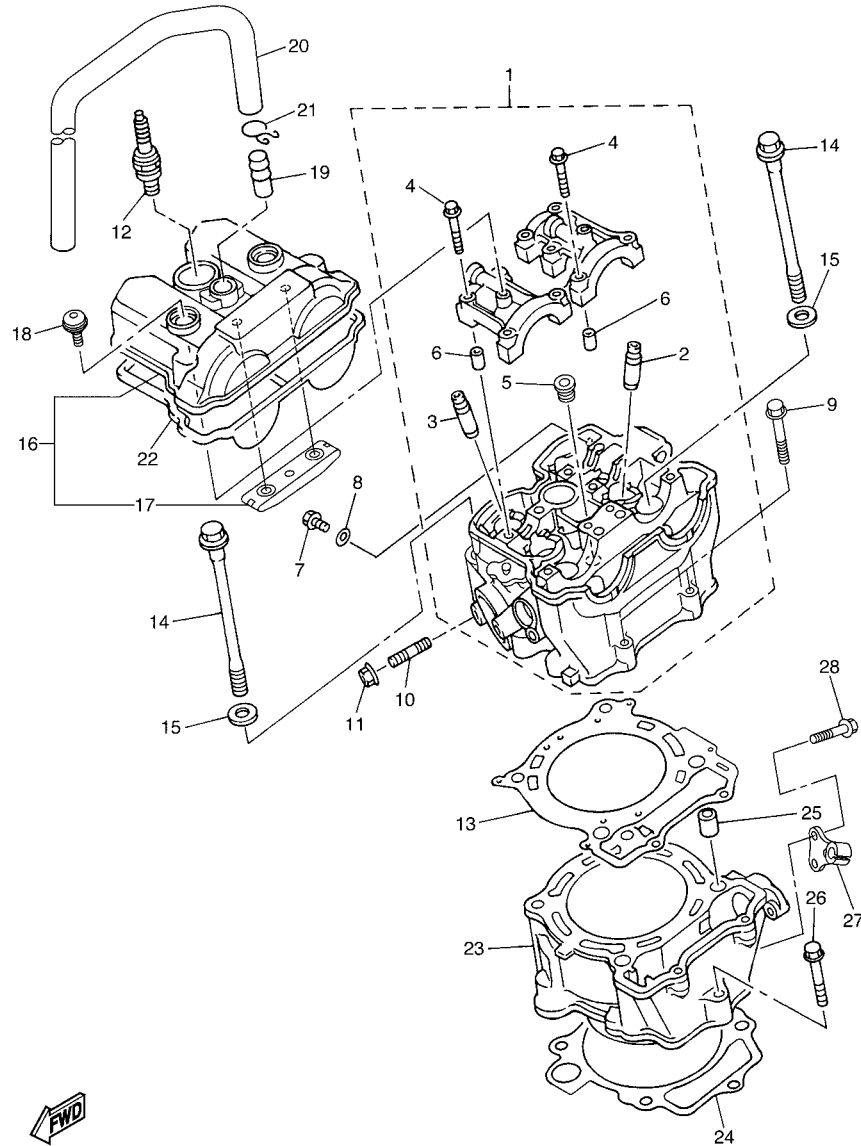
NUMERICAL INDEX .....	58
-----------------------	----



2S2B100-G010

FIG. 1 CYLINDER

REF. NO.	PART NO.	DESCRIPTION	34P1	34P2	34P3	34P4	REMARKS
1	2S2-11102-10	CYLINDER HEAD ASSY	1	1	1	1	
2	5TA-11133-10	.GUIDE, VALVE 1	3	3	3	3	
3	5TA-11134-10	.GUIDE, VALVE 2	2	2	2	2	
4	90105-06027	.BOLT, FLANGE	10	10	10	10	
5	90340-12007	.PLUG, STRAIGHT SCREW	1	1	1	1	
6	91808-16023	.PIN, DOWEL	4	4	4	4	
7	95022-06010	BOLT, FLANGE	1	1	1	1	
8	90430-06014	GASKET	1	1	1	1	
9	95022-06035	BOLT, FLANGE	2	2	2	2	
10	90116-08022	BOLT, STUD	1	1	1	1	
11	95702-08500	NUT, WITH WASHER	1	1	1	1	
12	94701-00411	PLUG, SPARK (NGK R CR8E)	1	1		1	STD
	94703-00411	PLUG, SPARK (NGK R CR8E)			1		STD
	94701-00410	PLUG, SPARK (NGK R CR9E)	1	1		1	AP
	94703-00410	PLUG, SPARK (NGK R CR9E)			1		AP
13	2S2-11181-00	GASKET, CYLINDER HEAD 1	1	1	1	1	
14	90105-10163	BOLT, FLANGE	4	4	4	4	
15	90201-10025	WASHER, PLATE	4	4	4	4	
16	2S2-11190-20	COVER, CYLINDER HEAD 1	1	1	1	1	
17	5BE-12241-00	.GUIDE, STOPPER 2	1	1	1	1	
18	5UM-1119E-00	BOLT, COVER HEAD	2	2	2	2	
19	371-11167-01	PIPE, BREATHER 2	1	1	1	1	
20	2S2-11166-00	PIPE, BREATHER 1	1	1	1	1	
21	90467-140A4	CLIP	1	1	1	1	
22	2S2-11193-00	GASKET, HEAD COVER 1	1	1	1	1	
23	2S2-11311-10	CYLINDER 1	1	1	1	1	
24	2S2-11351-00	GASKET, CYLINDER	1	1	1	1	

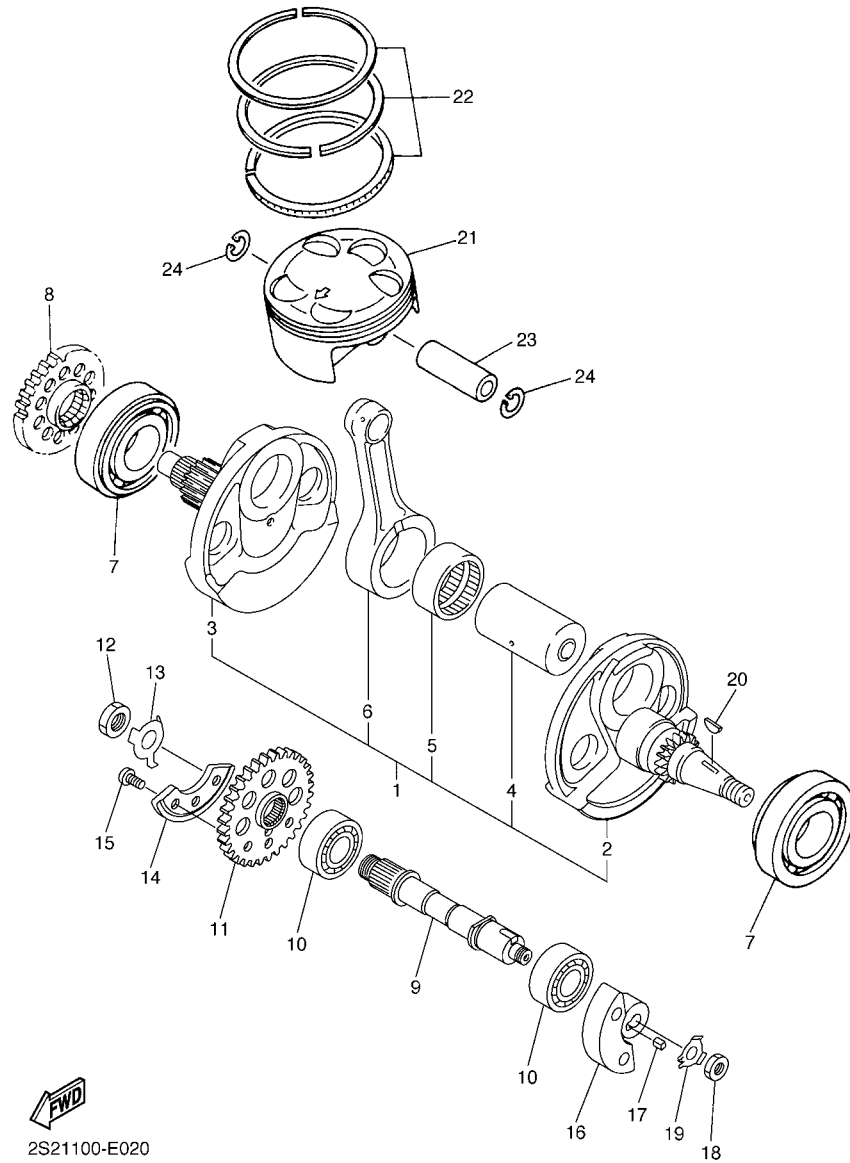


2S2B100-G010

FIG. 1 CYLINDER

REF. NO.	PART NO.	DESCRIPTION	34P1	34P2	34P3	34P4	REMARKS
25	93612-16254	PIN, DOWEL	2	2	2	2	
26	95022-06035	BOLT, FLANGE	1	1	1	1	
27	2S2-15441-00	HOLDER, CLUTCH CABLE	1	1	1	1	
28	95022-06016	BOLT, FLANGE	2	2	2	2	
-----							
-----							
-----							
-----							
-----							
-----							
-----							

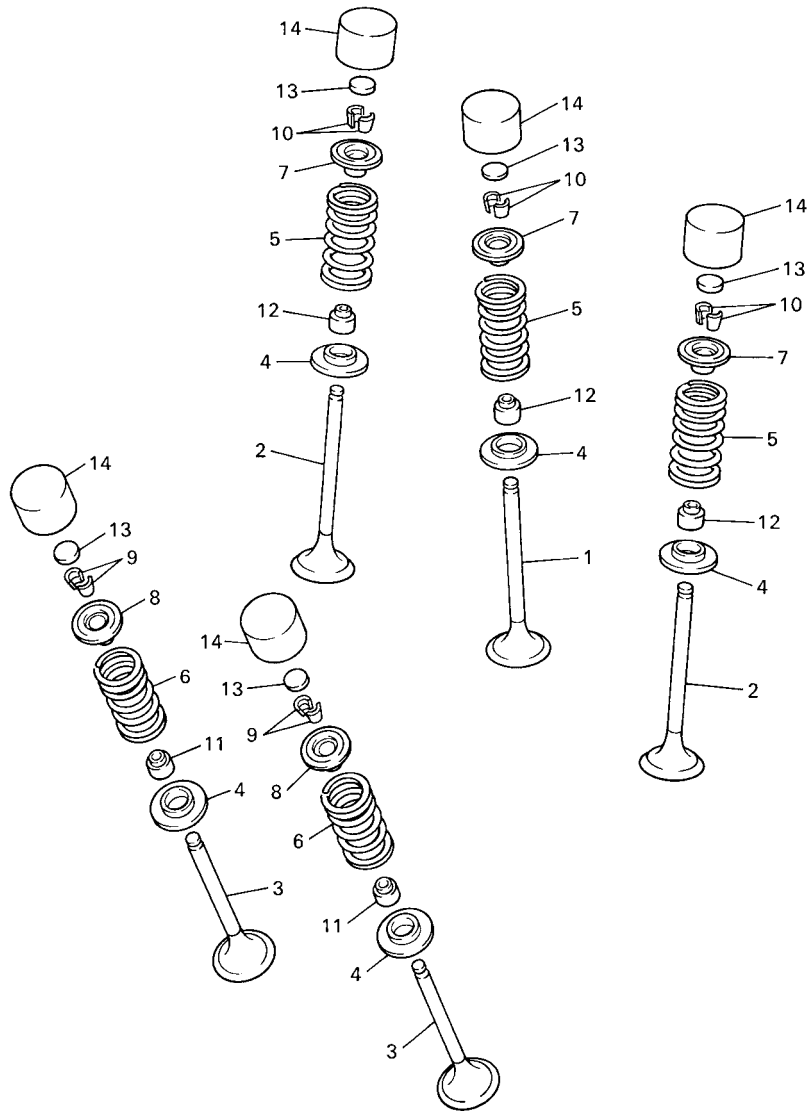




2S21100-E020

FIG. 2 CRANKSHAFT & PISTON

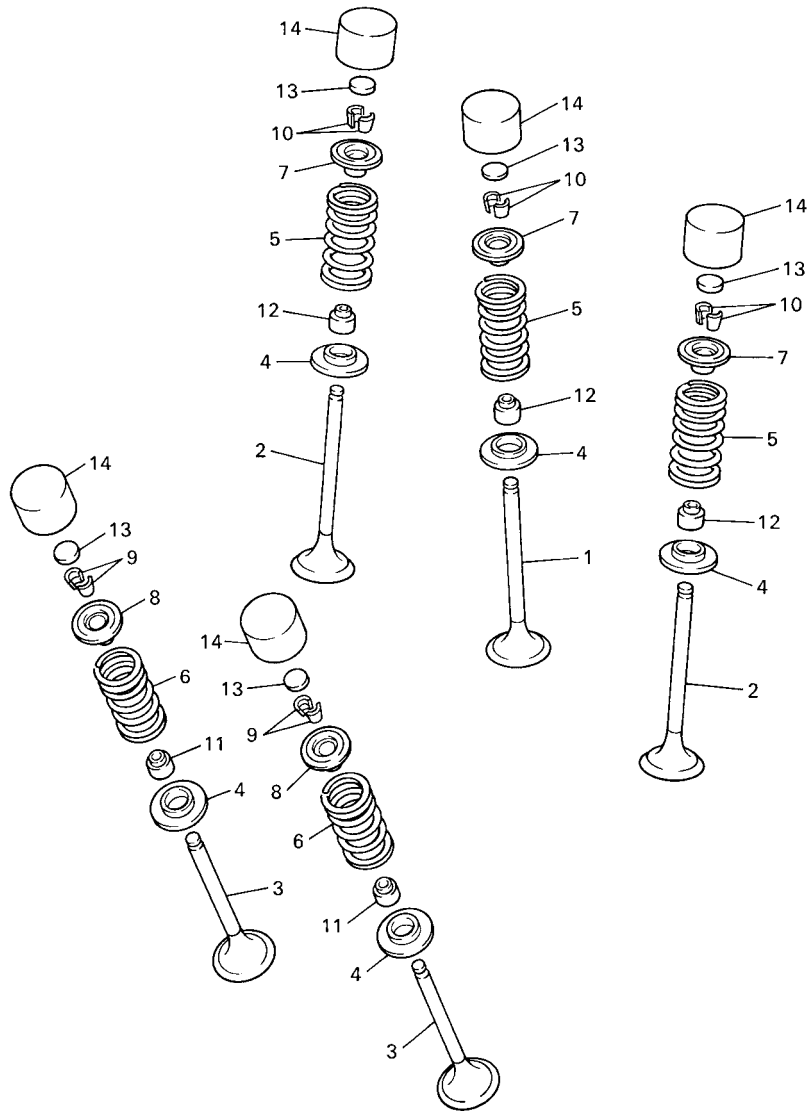
REF. NO.	PART NO.	DESCRIPTION	34P1	34P2	34P3	34P4	REMARKS
1	2S2-11400-00	CRANKSHAFT ASSY	1	1	1	1	
2	2S2-11412-00	.CRANK 1	1	1	1	1	
3	2S2-11422-00	.CRANK 2	1	1	1	1	
4	5TG-11681-00	.PIN, CRANK 1	1	1	1	1	
5	93310-63417	.BEARING	1	1	1	1	
6	2S2-11651-00	.ROD, CONNECTING	1	1	1	1	
7	93306-30633	BEARING	2	2	2	2	
8	2S2-11536-00	GEAR, DRIVE	1	1	1	1	
9	2S2-11455-00	SHAFT 1	1	1	1	1	
10	93304-20310	BEARING	2	2	2	2	
11	2S2-11531-00	GEAR, BALANCE WEIGHT	1	1	1	1	
12	90170-14171	NUT	1	1	1	1	
13	90215-14287	WASHER, LOCK	1	1	1	1	
14	2S2-11454-10	WEIGHT 1	1	1	1	1	
15	90149-06083	SCREW	3	3	3	3	
16	2S2-11464-10	WEIGHT 2	1	1	1	1	
17	90282-05034	KEY, STRAIGHT	1	1	1	1	
18	90170-10405	NUT	1	1	1	1	
19	90215-10009	WASHER, LOCK	1	1	1	1	
20	90280-03006	KEY, WOODRUFF	1	1	1	1	
21	2S2-11631-20	PISTON (STD)	1	1	1	1	
22	5JG-11603-00	PISTON RING SET (STD)	1	1	1	1	
23	5TA-11633-00	PIN, PISTON	1	1	1	1	
24	93420-18082	CIRCLIP	2	2	2	2	



5BE100-8030

FIG. 3 VALVE

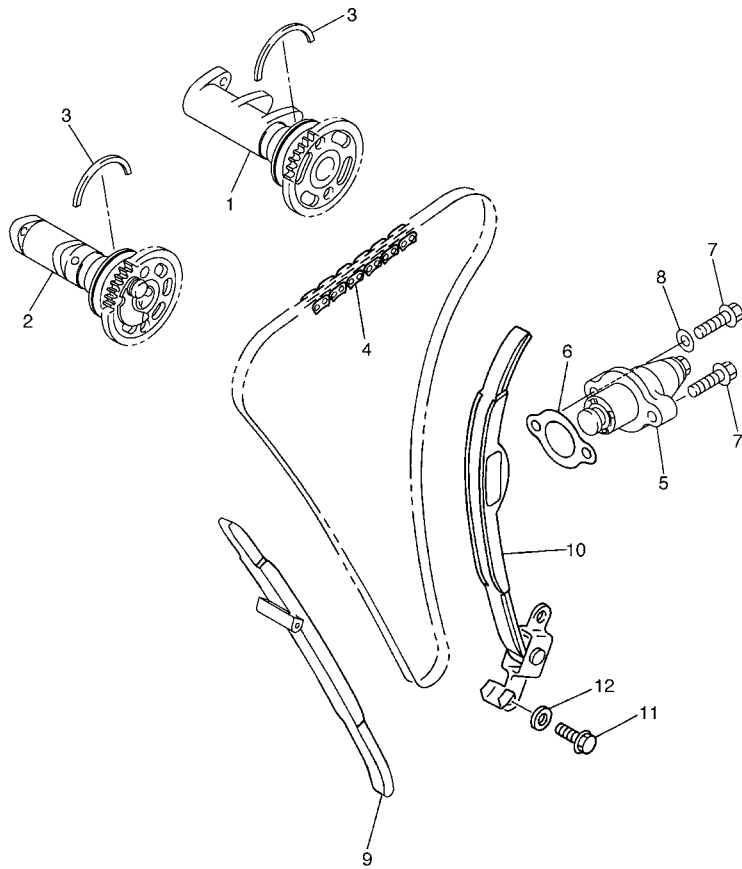
REF. NO.	PART NO.	DESCRIPTION	34P1	34P2	34P3	34P4	REMARKS
1	5TA-12111-00	VALVE, INTAKE	1	1	1	1	
2	5TA-12112-00	VALVE, INTAKE 2	2	2	2	2	
3	5TA-12121-00	VALVE, EXHAUST	2	2	2	2	
4	3GM-12126-00	SEAT, VALVE SPRING 2	5	5	5	5	
5	5TA-12113-00	SPRING, VALVE INNER	3	3	3	3	
6	5TA-12114-00	SPRING, VALVE OUTER	2	2	2	2	
7	5BE-12117-00	RETAINER, VALVE SPRING	3	3	3	3	
8	4GY-12117-00	RETAINER, VALVE SPRING	2	2	2	2	
9	1AA-12118-00	COTTER, VALVE	4	4	4	4	
10	1WG-12118-00	COTTER, VALVE	6	6	6	6	
11	33M-12119-00	SEAL, VALVE STEM	2	2	2	2	
12	4SV-12119-00	SEAL, VALVE STEM	3	3	3	3	
13	3LD-12168-00	PAD, ADJUSTING (1.20)	5	5	5	5	UR
	3LD-12168-20	PAD, ADJUSTING (1.25)	5	5	5	5	UR
	3LD-12168-40	PAD, ADJUSTING (1.30)	5	5	5	5	UR
	3LD-12168-60	PAD, ADJUSTING (1.35)	5	5	5	5	UR
	3LD-12168-80	PAD, ADJUSTING (1.40)	5	5	5	5	UR
	3LD-12168-A0	PAD, ADJUSTING (1.45)	5	5	5	5	UR
	3LD-12168-F0	PAD, ADJUSTING (1.50)	5	5	5	5	UR
	3LD-12168-H1	PAD, ADJUSTING (1.55)	5	5	5	5	UR
	3LD-12168-K1	PAD, ADJUSTING (1.60)	5	5	5	5	UR
	3LD-12168-M1	PAD, ADJUSTING (1.65)	5	5	5	5	UR
	3LD-12168-R1	PAD, ADJUSTING (1.70)	5	5	5	5	UR
	3LD-12168-U1	PAD, ADJUSTING (1.75)	5	5	5	5	UR
	3LD-12168-W1	PAD, ADJUSTING (1.80)	5	5	5	5	UR
	3LD-12168-Y1	PAD, ADJUSTING (1.85)	5	5	5	5	UR
	3LD-12169-11	PAD, ADJUSTING (1.90)	5	5	5	5	UR



5BE100-8030

FIG. 3 VALVE

REF. NO.	PART NO.	DESCRIPTION	34P1	34P2	34P3	34P4	REMARKS
13	3LD-12169-31	PAD, ADJUSTING (1.95)	5	5	5	5	UR
	3LD-12169-50	PAD, ADJUSTING (2.00)	5	5	5	5	UR
	3LD-12169-70	PAD, ADJUSTING (2.05)	5	5	5	5	UR
	3LD-12169-90	PAD, ADJUSTING (2.10)	5	5	5	5	UR
	3LD-12169-E0	PAD, ADJUSTING (2.15)	5	5	5	5	UR
	3LD-12169-G0	PAD, ADJUSTING (2.20)	5	5	5	5	UR
	3LD-12169-J0	PAD, ADJUSTING (2.25)	5	5	5	5	UR
	3LD-12169-L0	PAD, ADJUSTING (2.30)	5	5	5	5	UR
	3LD-12169-N0	PAD, ADJUSTING (2.35)	5	5	5	5	UR
	3LD-12169-T0	PAD, ADJUSTING (2.40)	5	5	5	5	UR
14	3FV-12153-10	LIFTER, VALVE	5	5	5	5	YELLOW

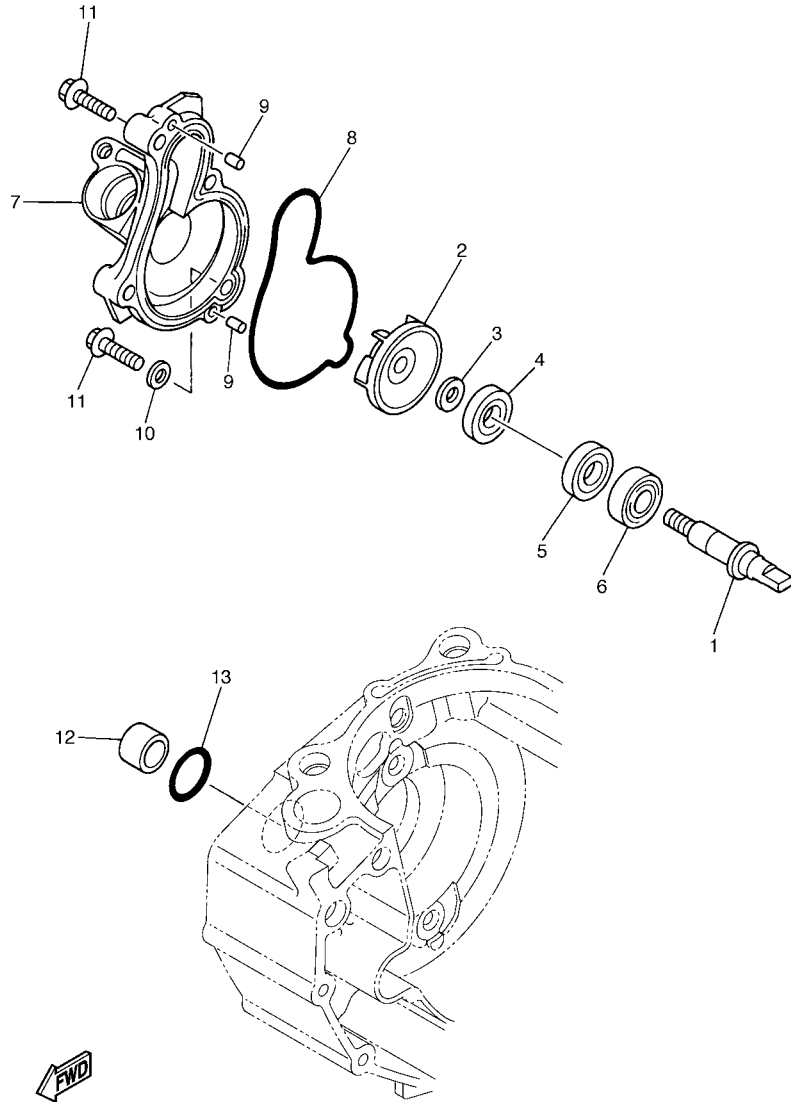


**FIG. 4 CAMSHAFT & CHAIN**

REF. NO.	PART NO.	DESCRIPTION	34P1	34P2	34P3	34P4	REMARKS
1	2S2-12170-00	CAMSHAFT ASSY 1	1	1	1	1	
2	2S2-12180-00	CAMSHAFT ASSY 2	1	1	1	1	
3	93440-41178	CIRCLIP	2	2	2	2	
4	94591-57118	CHAIN (98XRH2010-118M)	1	1	1	1	
5	5TA-12210-10	TENSIONER ASSY, CAM CHAIN	1	1	1	1	
6	4FM-12213-00	GASKET, TENSIONER CASE	1	1	1	1	
7	95022-06025	BOLT, FLANGE	2	2	2	2	
8	90430-06014	GASKET	1	1	1	1	
9	2S2-12251-00	DAMPER, CHAIN 1	1	1	1	1	
10	5TA-12252-00	DAMPER, CHAIN 2	1	1	1	1	
11	97022-06016	BOLT	2	2	2	2	
12	92902-06600	WASHER, PLATE	2	2	2	2	



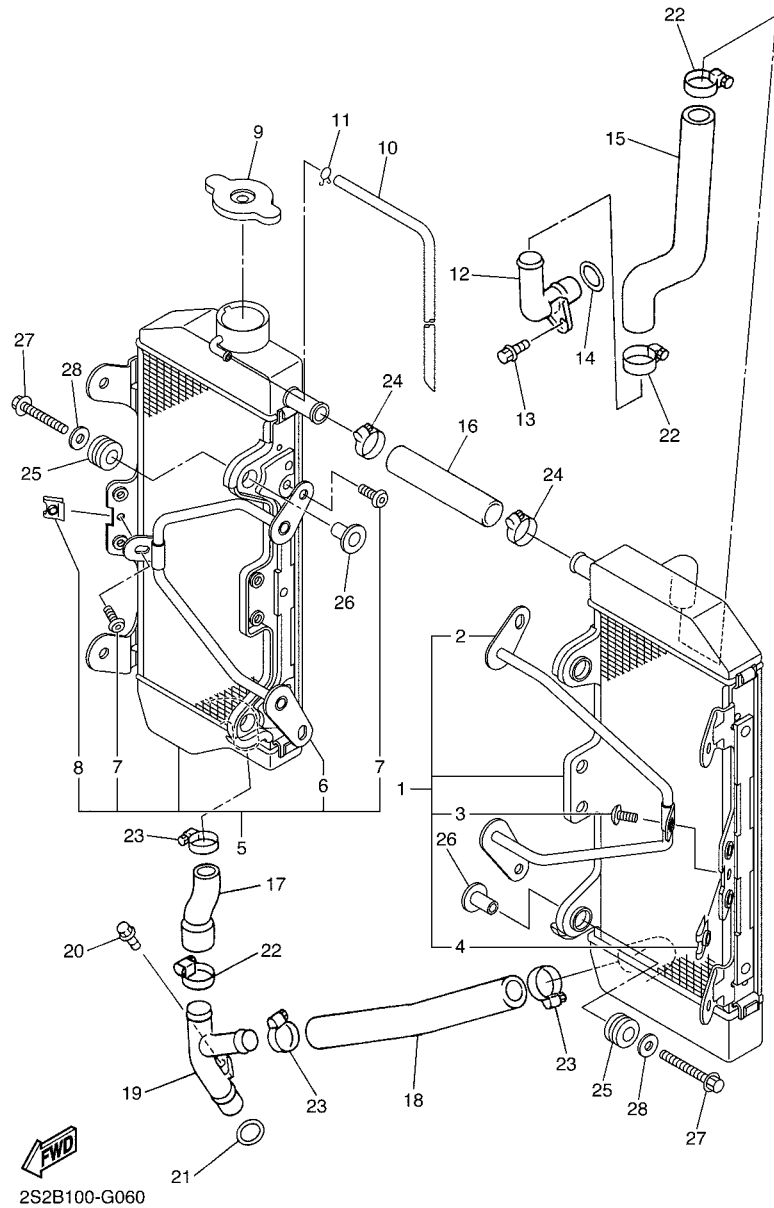
2S27100-F040



2S21100-E050

FIG. 5 WATER PUMP

REF. NO.	PART NO.	DESCRIPTION	34P1	34P2	34P3	34P4	REMARKS
1	5GR-12458-00	SHAFT, IMPELLER	1	1	1	1	
2	5DJ-12451-00	IMPELLER, WATER PUMP	1	1	1	1	
3	90201-08512	WASHER, PLATE	1	1	1	1	
4	93109-11073	OIL SEAL	1	1	1	1	
5	93102-12106	OIL SEAL (SD 12-22-5 HS)	1	1	1	1	
6	93306-00105	BEARING	1	1	1	1	
7	5BE-12422-20	COVER, HOUSING	1	1	1	1	
8	5BE-12439-00	O-RING	1	1	1	1	
9	93604-10011	PIN, DOWEL	2	2	2	2	
10	90430-06014	GASKET	1	1	1	1	
11	95022-06030	BOLT, FLANGE	4	4	4	4	
12	5BE-12564-00	PIPE, WATER	1	1	1	1	
13	93210-19758	O-RING	1	1	1	1	



**FIG. 6 RADIATOR & HOSE**

REF. NO.	PART NO.	DESCRIPTION	34P1	34P2	34P3	34P4	REMARKS
1	2S2-1240A-70	RADIATOR ASSY	1	1	1	1	
2	2S2-12464-70	.STAY, RADIATOR	1	1	1	1	
3	92012-06010	.BOLT, BUTTON HEAD	3	3	3	3	
4	90183-060A6	.NUT, SPRING	1	1	1	1	
5	2S2-12461-70	RADIATOR ASSY	1	1	1	1	
6	2S2-12464-70	.STAY, RADIATOR	1	1	1	1	
7	92012-06010	.BOLT, BUTTON HEAD	3	3	3	3	
8	90183-060A6	.NUT, SPRING	1	1	1	1	
9	22W-12462-00	CAP, RADIATOR	1	1	1	1	
10	91A20-05065	TUBE, FLEXIBLE VINYL	1	1	1	1	
11	90467-090A2	CLIP	1	1	1	1	
12	2S2-12481-00	PIPE 1	1	1	1	1	
13	91312-06012	BOLT	1	1	1	1	
14	93210-16500	O-RING	1	1	1	1	
15	2S2-12576-00	HOSE 1	1	1	1	1	
16	1C3-12482-00	PIPE 2	1	1	1	1	
17	2S2-12578-00	HOSE 3	1	1	1	1	
18	2S2-12579-00	HOSE 4	1	1	1	1	
19	2S2-12482-00	PIPE 2	1	1	1	1	
20	95022-06012	BOLT, FLANGE	1	1	1	1	
21	93210-16500	O-RING	1	1	1	1	
22	90450-28001	HOSE CLAMP ASSY	3	3	3	3	
23	90450-25001	HOSE CLAMP ASSY	3	3	3	3	
24	90450-22001	HOSE CLAMP ASSY	2	2	2	2	
25	90480-15528	GROMMET	4	4	4	4	
26	90387-06065	COLLAR	4	4	4	4	
27	90105-06111	BOLT, FLANGE	4	4	4	4	

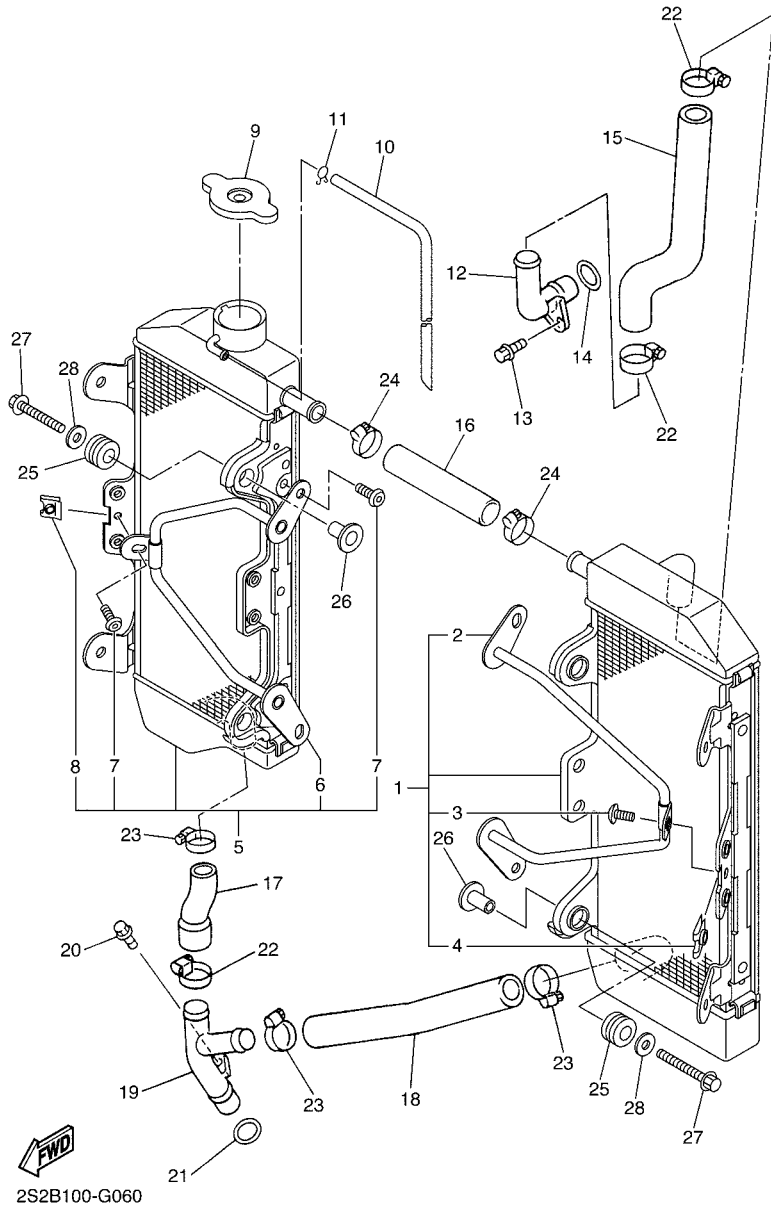


FIG. 6 RADIATOR & HOSE

REF. NO.	PART NO.	DESCRIPTION	34P1	34P2	34P3	34P4	REMARKS
28	90201-06571	WASHER, PLATE	4	4	4	4	



2S21100-E070

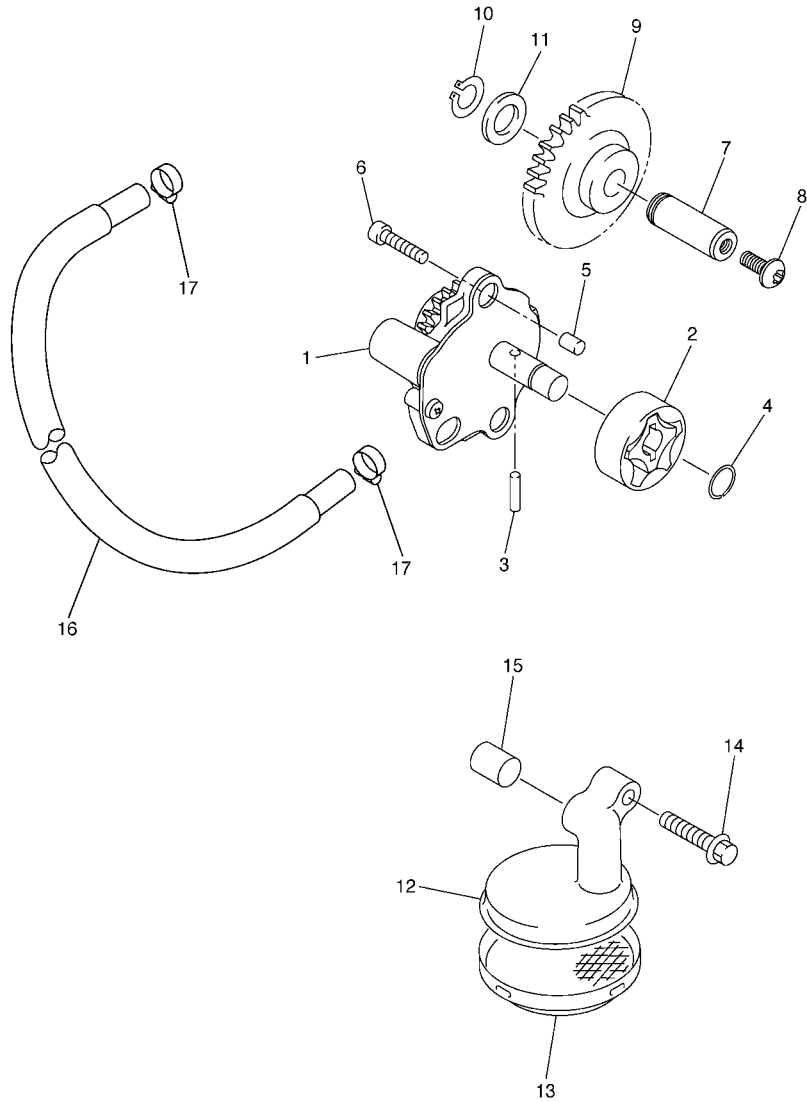
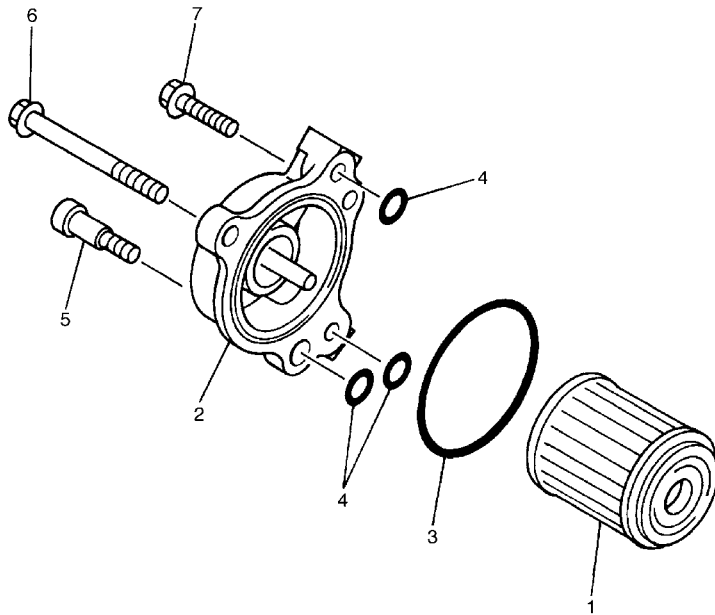


FIG. 7 OIL PUMP

REF. NO.	PART NO.	DESCRIPTION					REMARKS
			34P1	34P2	34P3	34P4	
1	2S2-13300-10	OIL PUMP ASSY	1	1	1	1	
2	5TA-13320-00	ROTOR ASSY 2	1	1	1	1	
3	93603-16219	PIN, DOWEL	1	1	1	1	
4	93440-10153	CIRCLIP	1	1	1	1	
5	99530-08012	PIN, DOWEL	2	2	2	2	
6	91312-06030	BOLT	2	2	2	2	
7	2S2-13342-00	SHAFT, IDLE GEAR	1	1	1	1	
8	90149-06068	SCREW	1	1	1	1	
9	2S2-13341-00	GEAR, OIL PUMP IDLE	1	1	1	1	
10	99009-12400	CIRCLIP	1	1	1	1	
11	90201-12166	WASHER, PLATE	1	1	1	1	
12	2S2-13412-00	HOUSING, STRAINER	1	1	1	1	
13	5BE-13411-00	STRAINER, OIL	1	1	1	1	
14	95022-06030	BOLT, FLANGE	1	1	1	1	
15	99530-10114	PIN, DOWEL	1	1	1	1	
16	90445-14009	HOSE	1	1	1	1	
17	90450-17001	HOSE CLAMP ASSY	2	2	2	2	





**FIG. 8 OIL CLEANER**

REF. NO.	PART NO.	DESCRIPTION	34P1	34P2	34P3	34P4	REMARKS
1	5D3-13440-00	ELEMENT ASSY, OIL CLEANER	1	1	1	1	
2	5BE-13447-20	COVER, OIL ELEMENT	1	1	1	1	
3	93210-47675	O-RING	1	1	1	1	
4	93210-07135	O-RING	3	3	3	3	
5	90110-06228	BOLT, HEXAGON SOCKET HEAD	1	1	1	1	
6	91312-06065	BOLT	1	1	1	1	
7	91312-06020	BOLT	1	1	1	1	

  
2S21100-E080

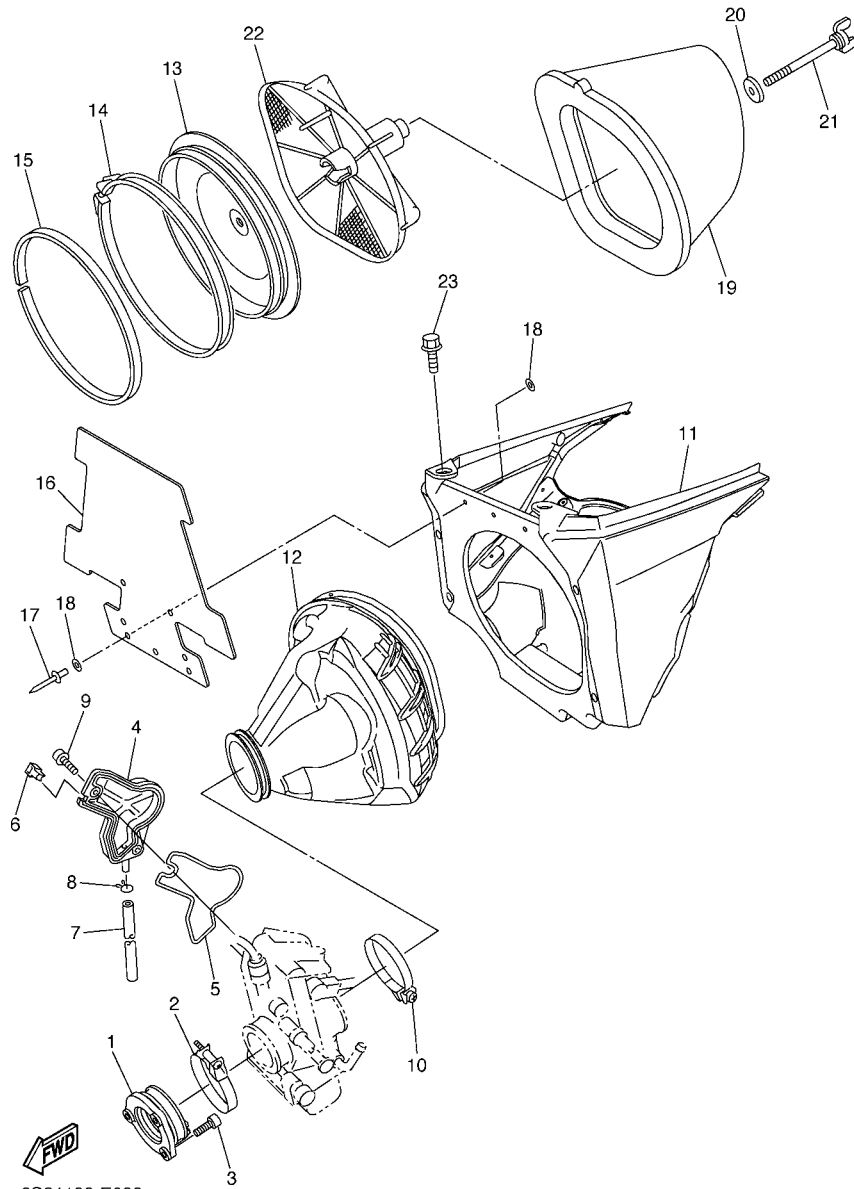
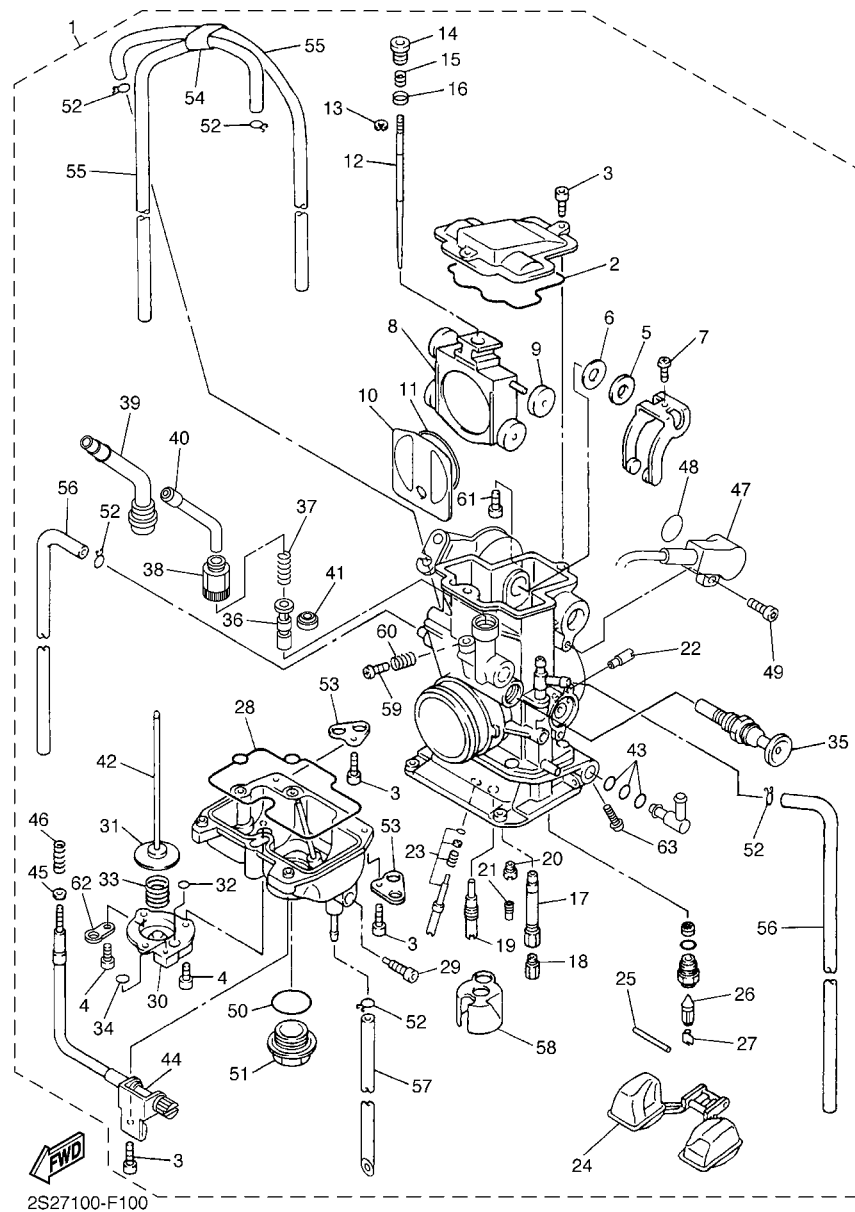


FIG. 9 INTAKE

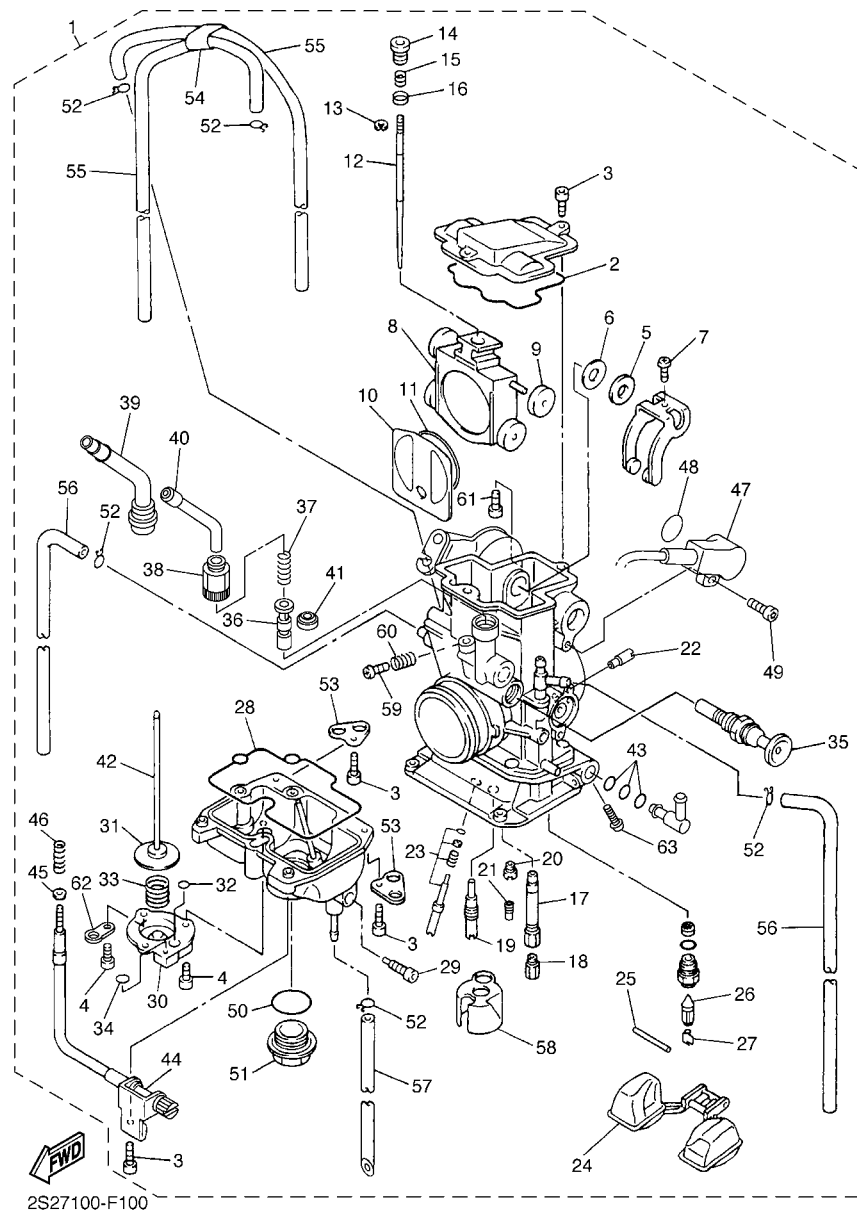
REF. NO.	PART NO.	DESCRIPTION					REMARKS
			34P1	34P2	34P3	34P4	
1	2S2-13597-00	JOINT, CARBURETOR 3	1	1	1	1	
2	90450-57010	HOSE CLAMP ASSY	1	1	1	1	
3	91312-06020	BOLT	3	3	3	3	
4	5TA-14293-00	COVER 1	1	1	1	1	
5	5TA-14227-00	GASKET	1	1	1	1	
6	5TA-14239-00	SEAL	1	1	1	1	
7	5TA-14987-00	HOSE	1	1	1	1	
8	3TJ-14137-40	CLIP	1	1	1	1	
9	90110-05038	BOLT, HEXAGON SOCKET HEAD	2	2	2	2	
10	90450-61002	HOSE CLAMP ASSY	1	1	1	1	
11	2S2-14401-70	AIR CLEANER CASE ASSY	1	1	1	1	
12	34P-14453-00	JOINT, AIR CLEANER 1	1	1	1	1	
13	5NY-14459-00	HOLDER, GUIDE	1	1	1	1	
14	5NY-14455-20	BAND	1	1	1	1	
15	5NY-14442-00	SPACER	1	1	1	1	
16	5XC-14417-90	COVER 1	1	1	1	1	
17	90267-32070	RIVET, BLIND	3	3	3	3	
18	90201-03313	WASHER, PLATE	6	6	6	6	
19	4XM-14451-00	ELEMENT, AIR CLEANER	1	1	1	1	
20	90209-06096	WASHER	1	1	1	1	
21	90122-06005	BOLT, WING	1	1	1	1	
22	5BE-14458-00	GUIDE	1	1	1	1	
23	90109-06245	BOLT	2	2	2	2	



2S27100-F100

FIG. 10 CARBURETOR

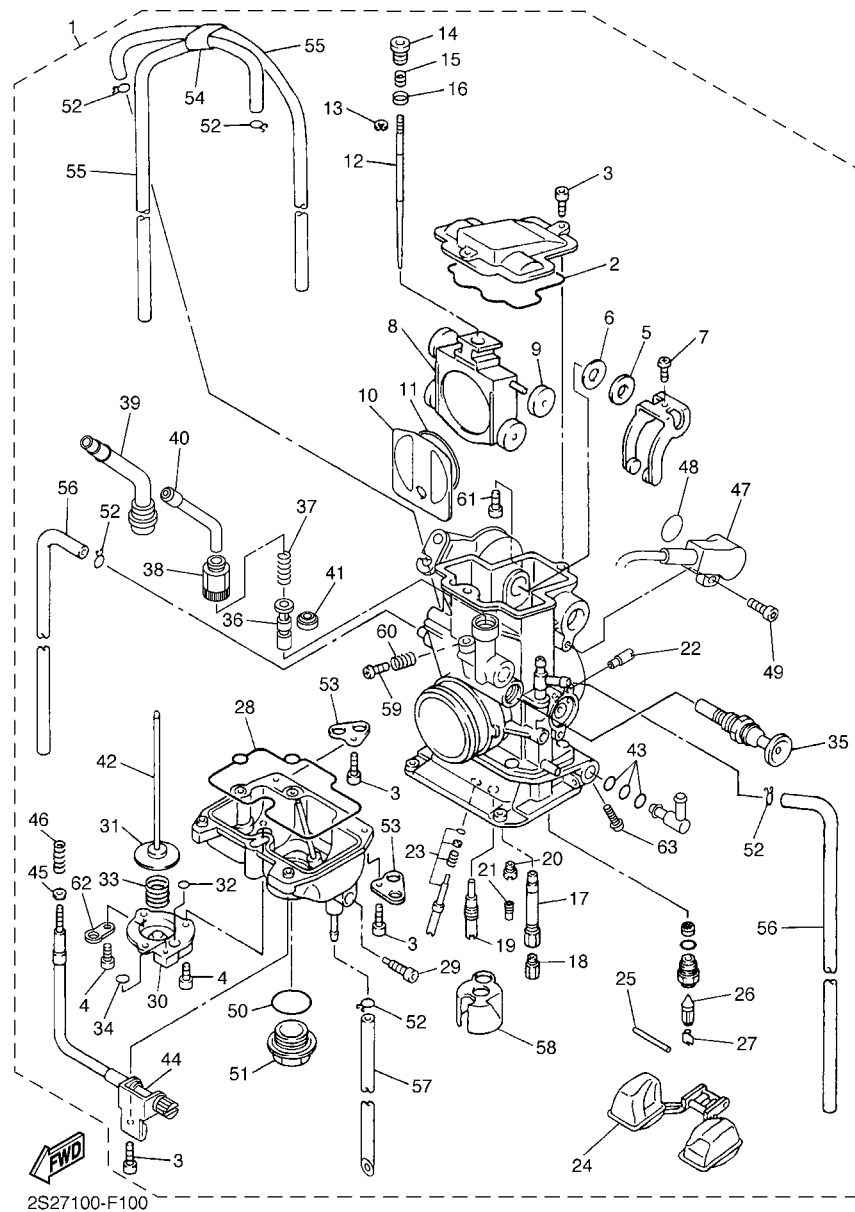
REF. NO.	PART NO.	DESCRIPTION	34P1	34P2	34P3	34P4	REMARKS
1	2S2-14101-B0	CARBURETOR ASSY 1	1	1	1	1	
2	5JG-14959-00	.GASKET	1	1	1	1	
3	91316-04012	.BOLT	6	6	6	6	
4	688-14592-00	.SCREW	3	3	3	3	
5	90202-08045	.WASHER, PLATE	1	1	1	1	
6	5JG-14951-00	.WASHER	1	1	1	1	
7	5JG-14522-00	.SCREW, ADJUST	1	1	1	1	
8	2S2-14388-00	.VALVE, VACUUM CONTROL	1	1	1	1	
9	3TJ-14267-40	.ROLLER	1	1	1	1	
10	5JG-14546-01	.VALVE, NEEDLE	1	1	1	1	
11	4FN-14997-00	.SEAL	1	1	1	1	
12	5TA-14916-LR	.NEEDLE (#NFLR)	1	1	1	1	STD
	5TA-14916-LN	.NEEDLE (#NFLN)	1	1	1	1	AP
	5TA-14916-LP	.NEEDLE (#NFLP)	1	1	1	1	AP
	5TA-14916-L1	.NEEDLE (#NFLQ)	1	1	1	1	AP
	5TA-14916-LS	.NEEDLE (#NFLS)	1	1	1	1	AP
	5TA-14916-LT	.NEEDLE (#NFLT)	1	1	1	1	AP
	5TA-14916-LU	.NEEDLE (#NFLU)	1	1	1	1	AP
	5TA-14916-PN	.NEEDLE (#NFPP)	1	1	1	1	AP
	5TA-14916-PP	.NEEDLE (#NFPP)	1	1	1	1	AP
	5TA-14916-P1	.NEEDLE (#NFPPQ)	1	1	1	1	AP
	5TA-14916-PR	.NEEDLE (#NFPR)	1	1	1	1	AP
	5TA-14916-PS	.NEEDLE (#NFPS)	1	1	1	1	AP
	5TA-14916-PT	.NEEDLE (#NFPT)	1	1	1	1	AP
	5TA-14916-PU	.NEEDLE (#NFPU)	1	1	1	1	AP
13	3TJ-14159-40	.CLIP	1	1	1	1	
14	5JG-14521-00	.SCREW, ADJUST	1	1	1	1	



2S27100-F100

FIG. 10 CARBURETOR

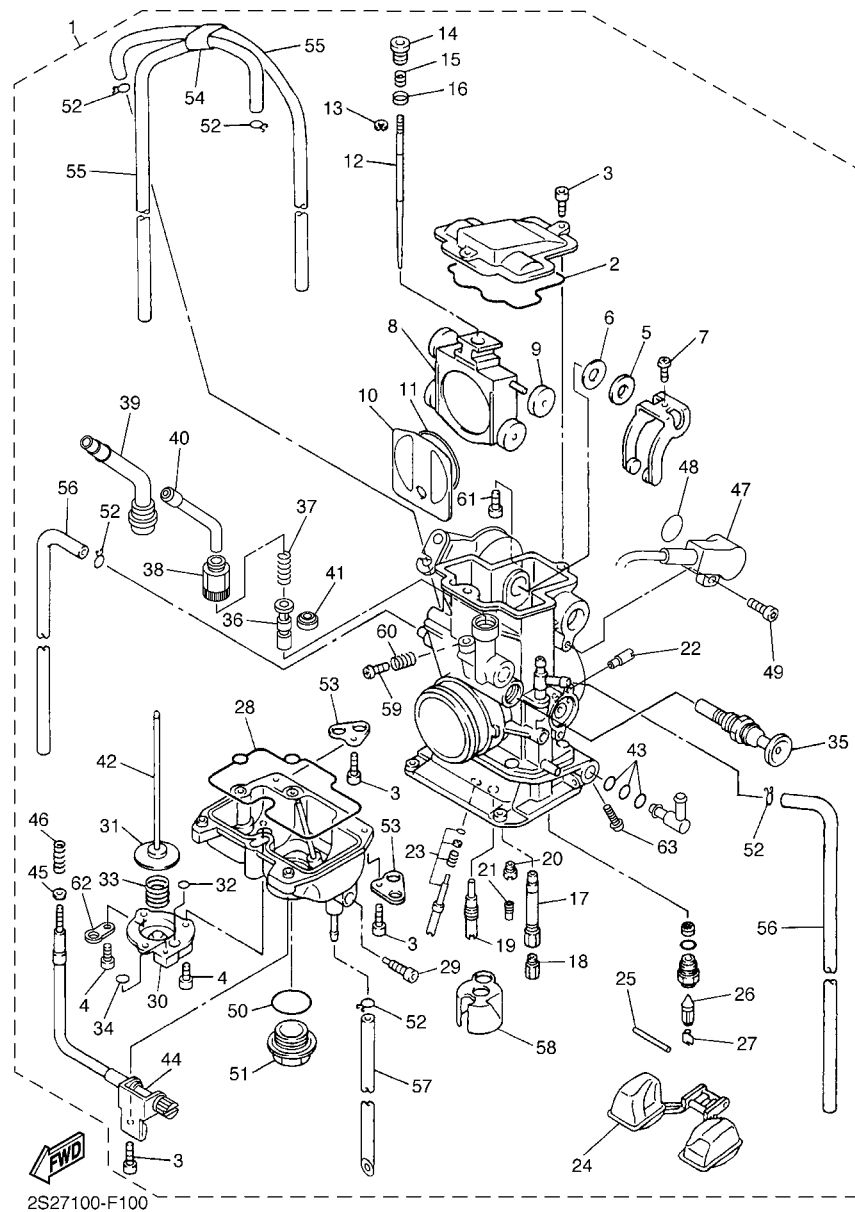
REF. NO.	PART NO.	DESCRIPTION	34P1	34P2	34P3	34P4	REMARKS
15	5JG-14275-00	.SPRING	1	1	1	1	
16	5JG-14264-00	.COLLAR	1	1	1	1	
17	5XD-14947-00	.NOZZLE, MAIN	1	1	1	1	
18	4MX-14943-39	.JET, MAIN (#160)	1	1	1	1	STD
	4MX-14943-40	.JET, MAIN (#165)	1	1	1	1	AP
	4MX-14943-91	.JET, MAIN (#168)	1	1	1	1	AP
	4MX-14943-41	.JET, MAIN (#170)	1	1	1	1	AP
	4MX-14943-92	.JET, MAIN (#172)	1	1	1	1	AP
	4MX-14943-87	.JET, MAIN (#148)	1	1	1	1	AP
	4MX-14943-37	.JET, MAIN (#150)	1	1	1	1	AP
	4MX-14943-88	.JET, MAIN (#152)	1	1	1	1	AP
	4MX-14943-38	.JET, MAIN (#155)	1	1	1	1	AP
	4MX-14943-89	.JET, MAIN (#158)	1	1	1	1	AP
	4MX-14943-90	.JET, MAIN (#162)	1	1	1	1	AP
19	4MX-14948-05	.JET, SLOW (#45)	1	1	1	1	STD
	4MX-14948-02	.JET, SLOW (#38)	1	1	1	1	AP
	4MX-14948-03	.JET, SLOW (#40)	1	1	1	1	AP
	4MX-14948-04	.JET, SLOW (#42)	1	1	1	1	AP
	4MX-14948-06	.JET, SLOW (#48)	1	1	1	1	AP
	4MX-14948-07	.JET, SLOW (#50)	1	1	1	1	AP
	4MX-14948-08	.JET, SLOW (#52)	1	1	1	1	AP
20	3TJ-1494F-16	.JET (#72)	1	1	1	1	STD
	3TJ-1494F-14	.JET (#68)	1	1	1	1	AP
	3TJ-1494F-15	.JET (#70)	1	1	1	1	AP
	3TJ-1494F-17	.JET (#75)	1	1	1	1	AP
	3TJ-1494F-18	.JET (#78)	1	1	1	1	AP
21	4JT-1494F-09	.JET (#55)	1	1	1	1	STD



2S27100-F100

FIG. 10 CARBURETOR

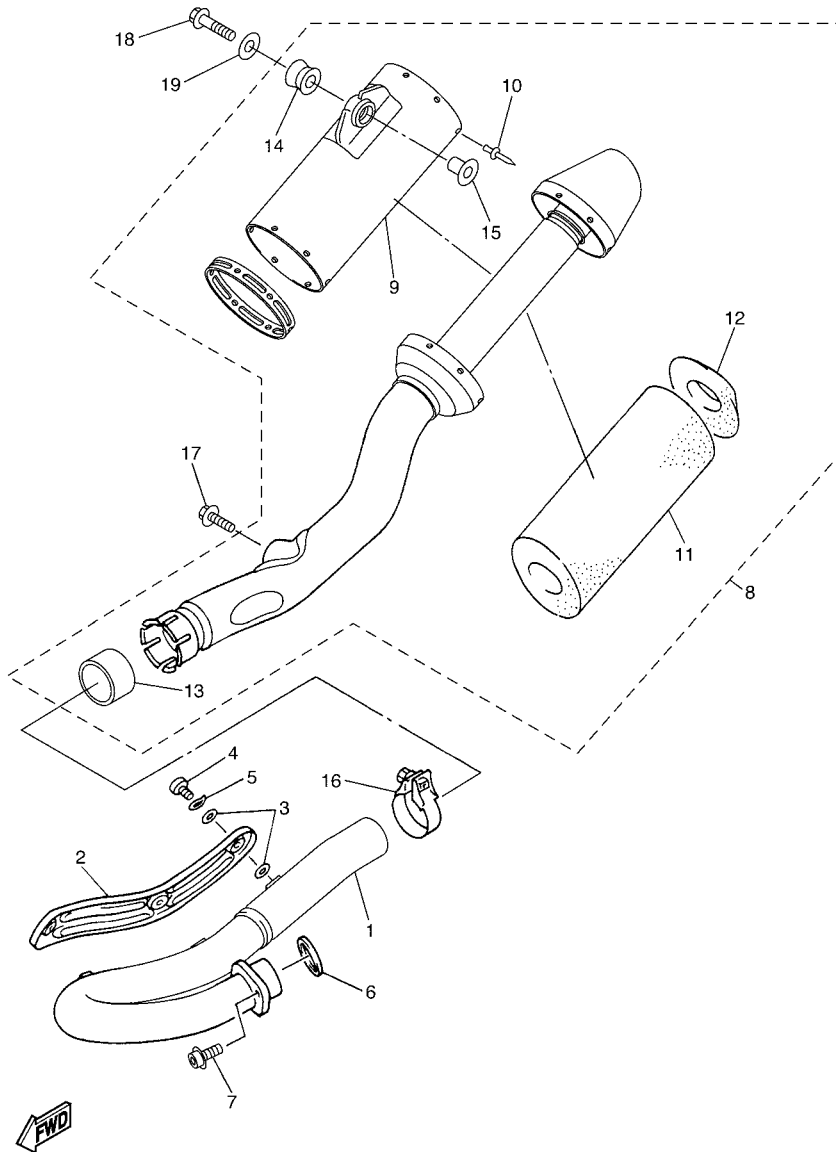
REF. NO.	PART NO.	DESCRIPTION	34P1	34P2	34P3	34P4	REMARKS
21	4JT-1494F-05	.JET (#45)	1	1	1	1	AP
	4JT-1494F-07	.JET (#50)	1	1	1	1	AP
	4JT-1494F-11	.JET (#60)	1	1	1	1	AP
	4JT-1494F-13	.JET (#65)	1	1	1	1	AP
22	5TA-14943-27	.JET, MAIN (#100)	1	1	1	1	
23	5NL-14105-00	.PILOT SCREW SET	1	1	1	1	
24	4SR-14985-00	.FLOAT	1	1	1	1	
25	676-14548-00	.PIN, FLOAT ARM	1	1	1	1	
26	4MX-14392-00	.VALVE, NEEDLE	1	1	1	1	
27	633-14159-00	.CLIP	1	1	1	1	
28	5JG-14984-00	.GASKET, FLOAT CHAMBER	1	1	1	1	
29	3TJ-14191-40	.PLUG, DRAIN	1	1	1	1	
30	3TJ-14293-40	.COVER 1	1	1	1	1	
31	5JG-14940-17	.DIAPHRAGM ASSY	1	1	1	1	STD
	5JG-14940-16	.DIAPHRAGM ASSY	1	1	1	1	AP
	5JG-14940-18	.DIAPHRAGM ASSY	1	1	1	1	AP
32	3TJ-14536-40	.GASKET	1	1	1	1	
33	3TJ-14933-40	.SPRING, DIAPHRAGM	1	1	1	1	
34	6H4-14561-00	.O-RING	1	1	1	1	
35	5XC-14171-00	.PLUNGER, STARTER	1	1	1	1	
36	5TA-14371-00	.PLUNGER, STARTER	1	1	1	1	
37	5TA-14335-00	.SPRING, PLUNGER	1	1	1	1	
38	5TA-14991-00	.SCREW	1	1	1	1	
39	2S2-14374-00	.CAP, PLUNGER	1	1	1	1	
40	5TA-14155-00	.GUIDE, CABLE	1	1	1	1	
41	5TA-14997-00	.SEAL	1	1	1	1	
42	5JG-14379-00	.ROD, STARTER	1	1	1	1	



2S27100-F100

FIG. 10 CARBURETOR

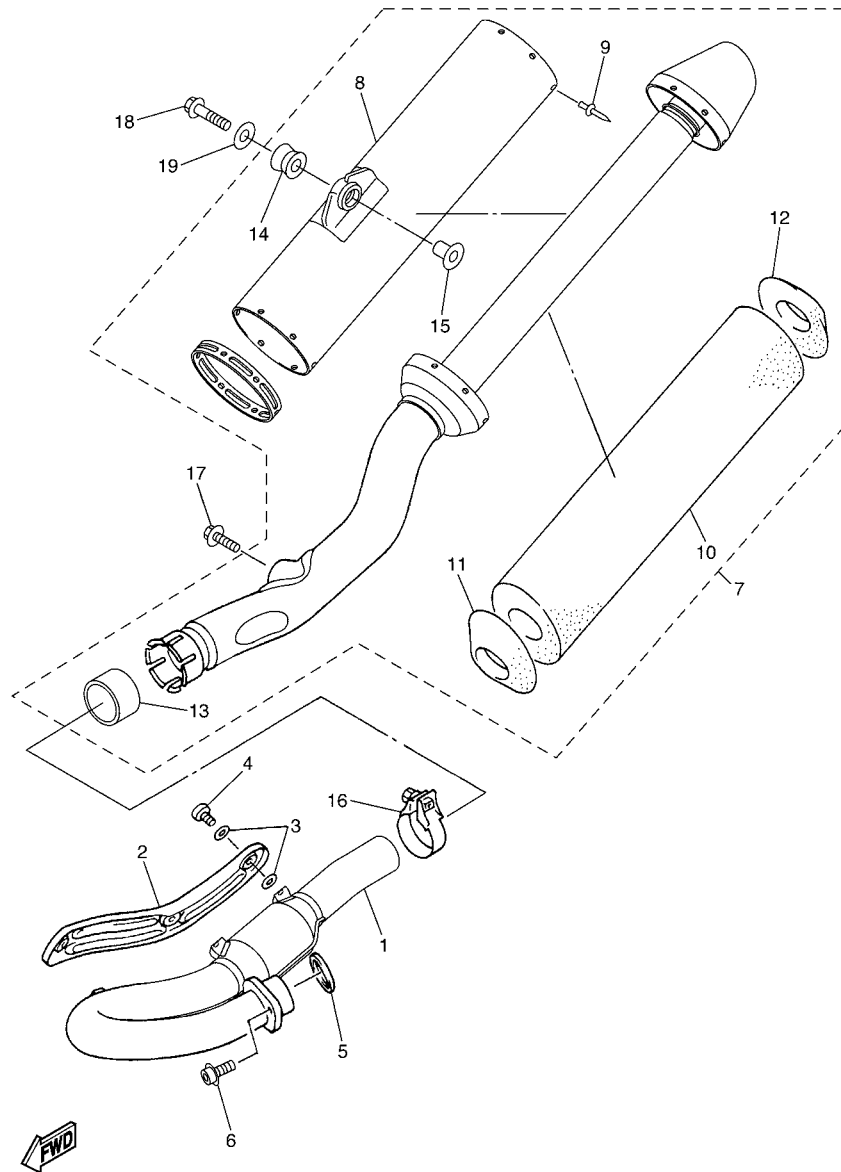
REF. NO.	PART NO.	DESCRIPTION	34P1	34P2	34P3	34P4	REMARKS
43	3TJ-14564-40	.O-RING	3	3	3	3	
44	5XC-14922-00	.SCREW, THROTTLE	1	1	1	1	
45	90201-08410	.WASHER, PLATE	1	1	1	1	
46	5TA-14934-00	.SPRING, THROTTLE STOP	1	1	1	1	
47	5XC-85885-00	.THROTTLE SENSOR ASSY	1	1	1	1	
48	5NX-14562-00	.O-RING	1	1	1	1	
49	5NX-14216-00	.SCREW	1	1	1	1	
50	4MX-14561-00	.O-RING	1	1	1	1	
51	4MX-14115-00	.PLUG, SCREW	1	1	1	1	
52	3TJ-14137-40	.CLIP	5	5	5	5	
53	5BE-14146-00	.PLATE	2	2	2	2	
54	5TA-14261-00	.HOLDER	1	1	1	1	
55	5UL-14196-00	.PIPE	2	2	2	2	
56	5TA-14197-00	.PIPE	2	2	2	2	
57	5TJ-14987-00	.HOSE	1	1	1	1	
58	5JG-14346-00	.PLATE	1	1	1	1	
59	5JG-14565-00	.SCREW	1	1	1	1	
60	5JG-14531-00	.SPRING, ADJUST SCREW	1	1	1	1	
61	5JG-14591-00	.SCREW	1	1	1	1	
62	5PA-14146-00	.PLATE	1	1	1	1	
63	5XD-14325-00	.SCREW, PAN HEAD	1	1	1	1	



2S2B100-G110

FIG. 11 EXHAUST

REF. NO.	PART NO.	DESCRIPTION	34P1	34P2	34P3	34P4	REMARKS
1	2S2-14611-30	PIPE, EXHAUST 1	1				
2	5TA-14628-00	PROTECTOR, EXHAUST PIPE	1				
3	4BD-14766-00	WASHER, PROTECTOR	6				
4	98980-06008	SCREW, BIND	3				
5	90206-06090	WASHER, WAVE	3				
6	3VD-14613-01	GASKET, EXHAUST PIPE	1				
7	90110-08097	BOLT, HEXAGON SOCKET HEAD	1				
8	34P-14750-00	SILENCER ASSY	1				
9	34P-1466G-00	.BODY, SILENCER	1				
10	90267-48084	.RIVET, BLIND	16				
11	2S2-1478H-B0	.FIBER, 11	1				
12	2S2-1469F-B0	.FIBER	1				
13	5VY-14714-00	.GASKET, MUFFLER	1				
14	5BE-14747-00	.DAMPER, MUFFLER	1				
15	90387-08081	.COLLAR	1				
16	2S2-14788-00	BAND, SILENCER	1				
17	90105-08307	BOLT, FLANGE	1				
18	90105-08137	BOLT, FLANGE	1				
19	90201-08061	WASHER, PLATE	1				

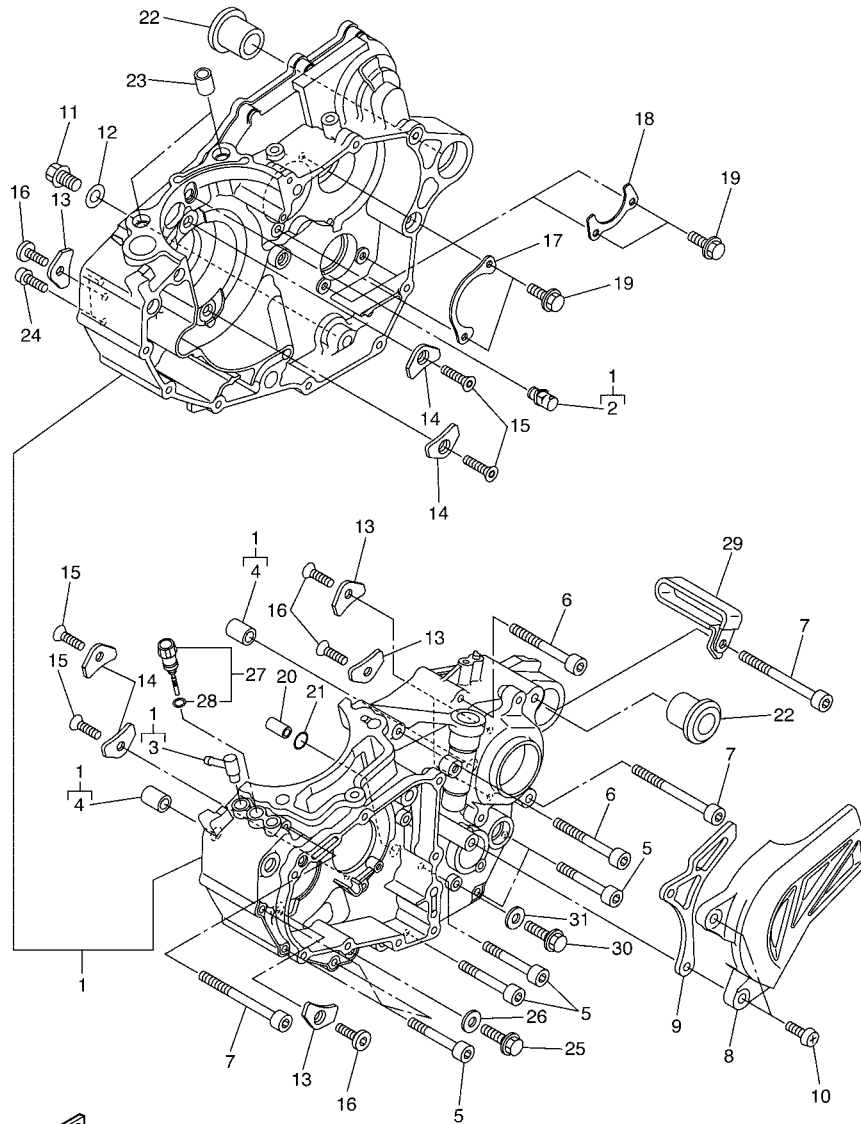


2S2B100-G120

FIG. 12 EXHAUST 2

REF. NO.	PART NO.	DESCRIPTION	34P1	34P2	34P3	34P4	REMARKS
1	2S2-14611-10	PIPE, EXHAUST 1		1	1	1	
2	2S2-14628-00	PROTECTOR, EXHAUST PIPE		1	1	1	
3	90201-05017	WASHER, PLATE		6	6	6	
4	98980-06008	SCREW, BIND		3	3	3	
5	3VD-14613-01	GASKET, EXHAUST PIPE		1	1	1	
6	90110-08097	BOLT, HEXAGON SOCKET HEAD		1	1	1	
7	34P-14750-10	SILENCER ASSY		1	1	1	
8	34P-1466G-10	.BODY, SILENCER		1	1	1	
9	90267-48084	.RIVET, BLIND		16	16	16	
10	2S2-1469A-10	.FIBER		1	1	1	
11	2S2-1469E-00	.FIBER		1	1	1	
12	2S2-1469F-00	.FIBER		1	1	1	
13	2S2-14714-00	.GASKET, MUFFLER		1	1	1	
14	5BE-14747-00	.DAMPER, MUFFLER		1	1	1	
15	90387-08081	.COLLAR		1	1	1	
16	2S2-14788-00	BAND, SILENCER		1	1	1	
17	90105-08307	BOLT, FLANGE		1	1	1	
18	90105-08137	BOLT, FLANGE		1	1	1	
19	90201-08061	WASHER, PLATE		1	1	1	

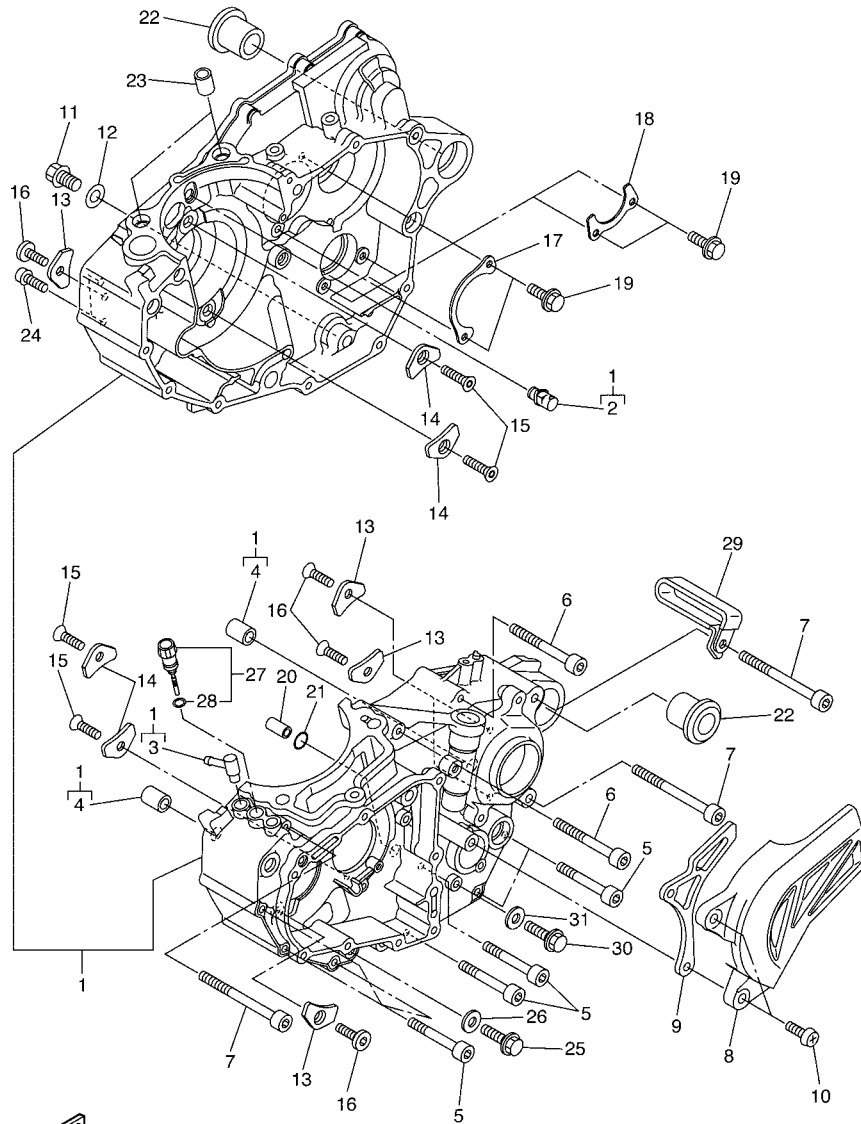




2S2B100-G130

FIG. 13 CRANKCASE

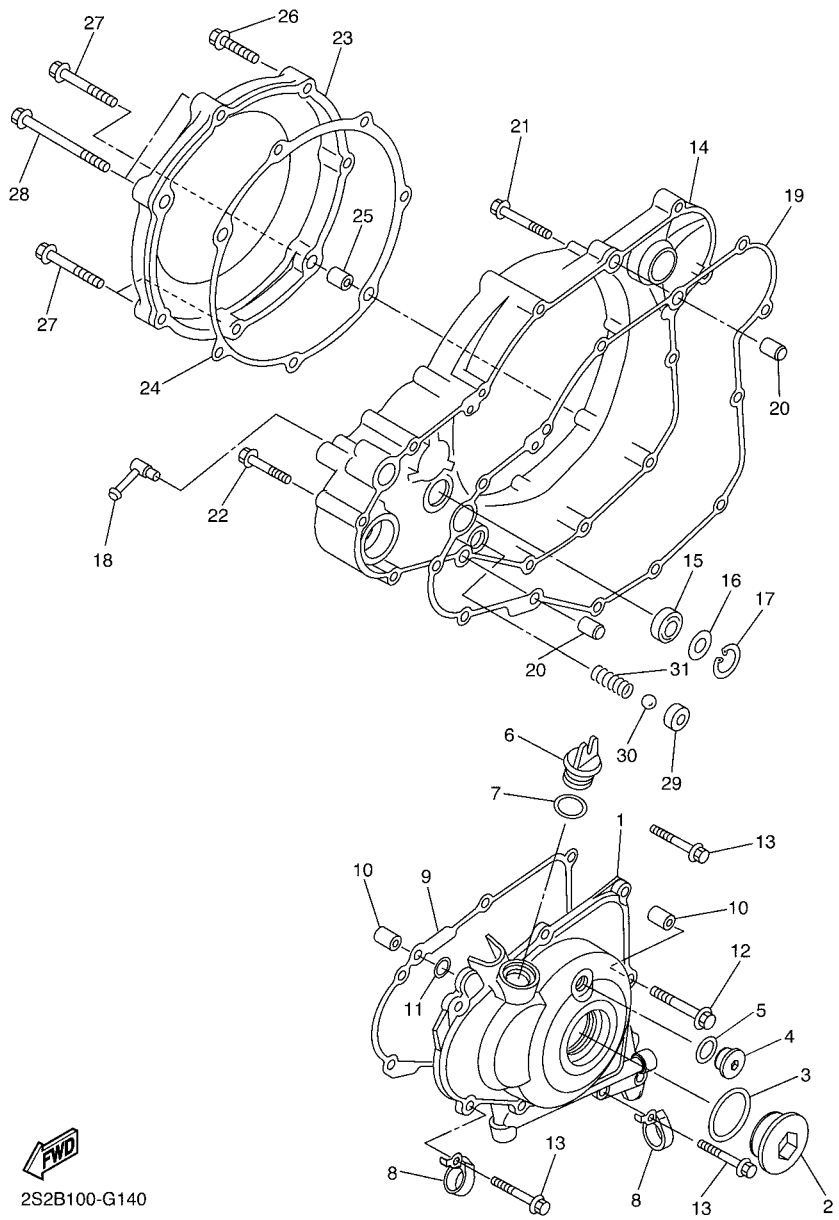
REF. NO.	PART NO.	DESCRIPTION	34P1	34P2	34P3	34P4	REMARKS
1	2S2-15100-21	CRANKCASE ASSY	1	1	1	1	
2	2S2-15155-10	.NOZZLE 3	1	1	1	1	
3	5XC-15373-00	.PIPE, BREATHER	1	1	1	1	
4	99530-14016	.PIN, DOWEL	2	2	2	2	
5	91312-06050	BOLT	7	7	7	7	
6	91312-06060	BOLT	2	2	2	2	
7	91312-06080	BOLT	3	3	3	3	
8	2S2-15421-10	COVER, CRANKCASE 2	1	1	1	1	
9	2S2-17466-00	GUIDE, CHAIN	1	1	1	1	
10	98502-06025	SCREW, PAN HEAD	2	2	2	2	
11	95022-10016	BOLT, FLANGE	1	1	1	1	
12	90430-10188	GASKET	1	1	1	1	
13	4JT-15381-01	PLATE, BEARING COVER	4	4	4	4	
14	5BE-15383-01	PLATE, BEARING COVER	4	4	4	4	
15	90151-06071	SCREW, COUNTERSUNK	4	4	4	4	
16	90149-06074	SCREW	4	4	4	4	
17	2S2-15388-00	PLATE, BEARING COVER	1	1	1	1	
18	2S2-18562-00	PLATE, STOPPER 2	1	1	1	1	
19	90105-06081	BOLT, FLANGE	4	4	4	4	
20	99530-10114	PIN, DOWEL	1	1	1	1	
21	93210-10197	O-RING	1	1	1	1	
22	90387-18007	COLLAR	2	2	2	2	
23	99530-14016	PIN, DOWEL	2	2	2	2	
24	91312-06030	BOLT	2	2	2	2	
25	95822-08016	BOLT, FLANGE	1	1	1	1	
26	90430-08119	GASKET	1	1	1	1	
27	2S2-1536A-00	PLUG, OIL LEVEL	1	1	1	1	



2S2B100-G130

FIG. 13 CRANKCASE

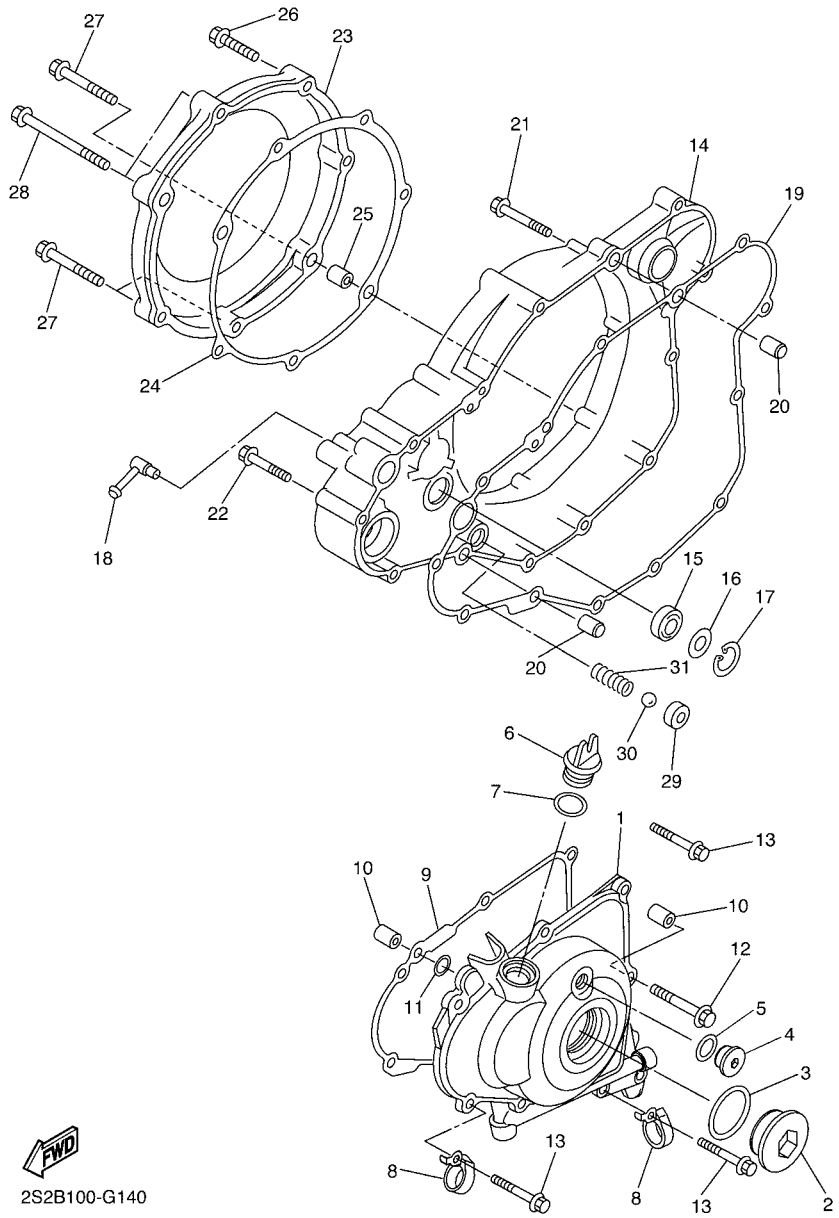
REF. NO.	PART NO.	DESCRIPTION	34P1	34P2	34P3	34P4	REMARKS
28	93210-09165	.O-RING	1	1	1	1	
29	90461-10136	CLAMP	1	1	1	1	
30	95022-06012	BOLT, FLANGE	1	1	1	1	
31	90430-06014	GASKET	1	1	1	1	
-----							
-----							
-----							
-----							
-----							
-----							
-----							
-----							
-----							
-----							



2S2B100-G140

FIG. 14 CRANKCASE COVER 1

REF. NO.	PART NO.	DESCRIPTION	34P1	34P2	34P3	34P4	REMARKS
1	2S2-15411-11	COVER, CRANKCASE 1	1	1	1	1	
2	90340-27003	PLUG, STRAIGHT SCREW	1	1	1	1	
3	93210-27370	O-RING	1	1	1	1	
4	90340-14003	PLUG, STRAIGHT SCREW	1	1	1	1	
5	93210-14369	O-RING	1	1	1	1	
6	3Y1-15363-00	PLUG, OIL	1	1	1	1	
7	93210-19123	O-RING	1	1	1	1	
8	2S2-15378-00	HOLDER	2	2	2	2	
9	2S2-15451-00	GASKET, CRANKCASE COVER 1	1	1	1	1	
10	99530-08016	PIN, DOWEL	2	2	2	2	
11	93210-08003	O-RING	1	1	1	1	
12	95022-06040	BOLT, FLANGE	1	1	1	1	
13	95022-06030	BOLT, FLANGE	7	7	7	7	
14	2S2-15431-00	COVER, CRANKCASE 3	1	1	1	1	
15	93101-14164	OIL SEAL	1	1	1	1	
16	90201-15701	WASHER, PLATE (T=1.0)	1	1	1	1	
17	99009-22500	CIRCLIP	1	1	1	1	
18	5XC-15373-00	PIPE, BREATHER	1	1	1	1	
19	2S2-15462-10	GASKET, CRANKCASE COVER 3	1	1	1	1	
20	91812-16001	PIN, DOWEL	2	2	2	2	
21	95022-06040	BOLT, FLANGE	2	2	2	2	
22	95022-06030	BOLT, FLANGE	6	6	6	6	
23	5TA-15415-20	COVER, GENERATOR	1	1	1	1	
24	5TA-15453-00	GASKET	1	1	1	1	
25	99530-08016	PIN, DOWEL	2	2	2	2	
26	95022-06030	BOLT, FLANGE	2	2	2	2	
27	95022-06040	BOLT, FLANGE	3	3	3	3	



2S2B100-G140

FIG. 14 CRANKCASE COVER 1

REF. NO.	PART NO.	DESCRIPTION	34P1	34P2	34P3	34P4	REMARKS
28	95022-06080	BOLT, FLANGE	2	2	2	2	
29	583-13113-00	SEAT, CHECK BALL	1	1	1	1	
30	93503-08007	BALL	1	1	1	1	
31	90501-043E0	SPRING, COMPRESSION	1	1	1	1	
-----							
-----							
-----							
-----							
-----							
-----							
-----							
-----							
-----							
-----							

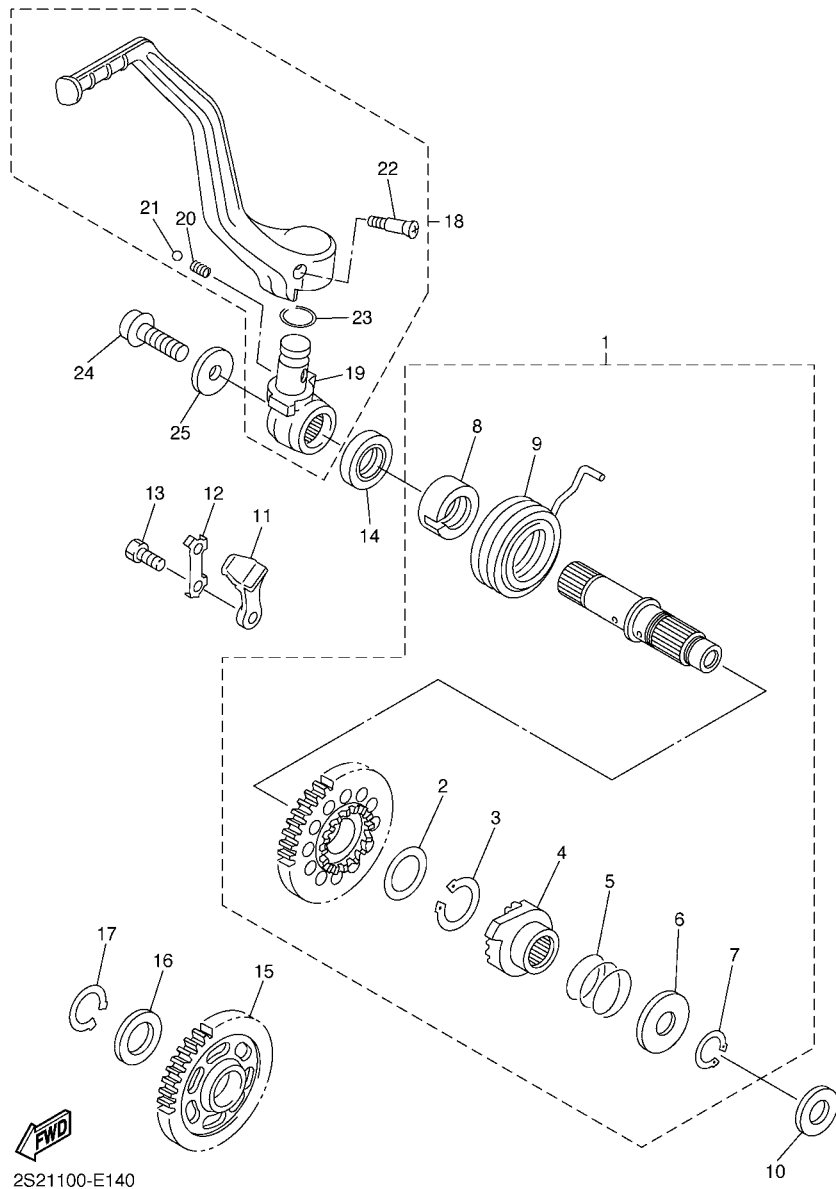
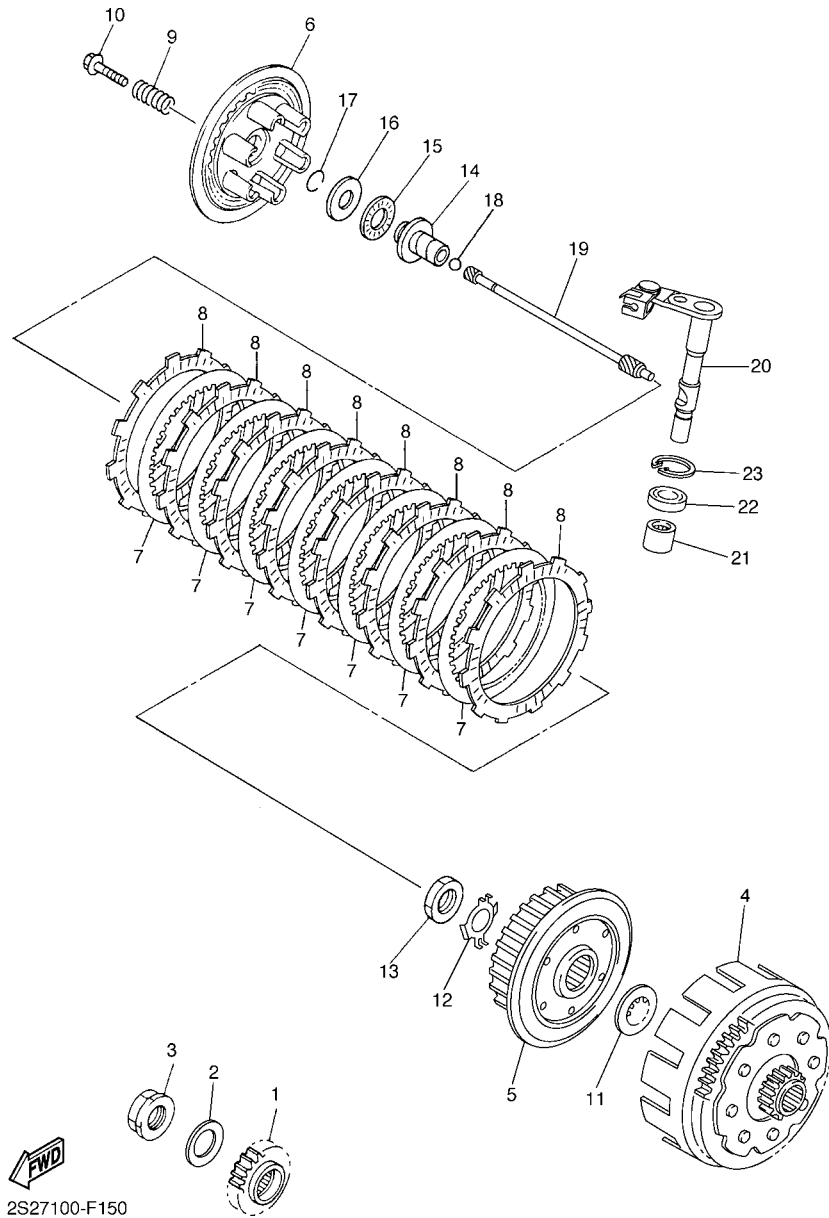


FIG. 15 STARTER

REF. NO.	PART NO.	DESCRIPTION	34P1	34P2	34P3	34P4	REMARKS
1	2S2-15601-00	KICK SHAFT ASSY	1	1	1	1	
2	90201-20685	.WASHER, PLATE (T=0.5)	1	1	1	1	
3	93410-20038	.CIRCLIP	1	1	1	1	
4	2S2-15671-00	.WHEEL, RATCHET	1	1	1	1	
5	90501-160A2	.SPRING, COMPRESSION	1	1	1	1	
6	90201-167P7	.WASHER, PLATE	1	1	1	1	
7	99009-16400	.CIRCLIP	1	1	1	1	
8	5GR-15664-00	.GUIDE, SPRING	1	1	1	1	
9	90508-305B0	.SPRING, TORSION	1	1	1	1	
10	90201-162H4	WASHER, PLATE	1	1	1	1	
11	5SG-15668-00	STOPPER	1	1	1	1	
12	214-15686-00	WASHER, LOCK	1	1	1	1	
13	90101-06044	BOLT	2	2	2	2	
14	93102-20108	OIL SEAL	1	1	1	1	
15	5TA-15651-00	GEAR, KICK IDLE	1	1	1	1	
16	90201-20685	WASHER, PLATE (T=0.5)	1	1	1	1	
17	99009-20400	CIRCLIP	1	1	1	1	
18	2S2-15620-01	KICK CRANK ASSY	1	1	1	1	
19	5XD-15621-00	.BOSS, KICK CRANK	1	1	1	1	
20	90501-147A5	.SPRING, COMPRESSION	1	1	1	1	
21	93507-32009	.BALL	1	1	1	1	
22	90152-06010	.SCREW, COUNTERSUNK	1	1	1	1	
23	93210-17570	.O-RING	1	1	1	1	
24	90110-08087	BOLT, HEXAGON SOCKET HEAD	1	1	1	1	
25	90201-08047	WASHER, PLATE	1	1	1	1	



2S27100-F150

FIG. 16 CLUTCH

REF. NO.	PART NO.	DESCRIPTION	34P1	34P2	34P3	34P4	REMARKS
1	2S2-16111-60	GEAR, PRIMARY DRIVE	1	1	1	1	
2	90208-25045	WASHER, CONICAL SPRING	1	1	1	1	
3	90179-20009	NUT	1	1	1	1	
4	5XD-16150-60	PRIMARY DRIVEN GEAR COMP.	1	1	1	1	
5	5TA-16371-10	BOSS, CLUTCH	1	1	1	1	
6	2S2-16351-00	PLATE, P <small>RE</small> SSURE 1	1	1	1	1	
7	4X7-16325-00	PLATE, CLUTCH 2	7	7	7	7	
8	5TA-16321-00	PLATE, FRICTION	8	8	8	8	
9	90501-230E4	SPRING, COMPRESSION	6	6	6	6	
10	90159-06010	SCREW, WITH WASHER	6	6	6	6	
11	5XD-16154-00	PLATE, THRUST 1	1	1	1	1	
12	90215-20005	WASHER, LOCK	1	1	1	1	
13	90170-20327	NUT	1	1	1	1	
14	5JG-16356-00	ROD, PUSH 1	1	1	1	1	
15	93340-21505	BEARING	1	1	1	1	
16	90201-125L6	WASHER, PLATE	1	1	1	1	
17	93440-10085	CIRCLIP	1	1	1	1	
18	93511-32027	BALL	1	1	1	1	
19	2S2-16357-00	ROD, PUSH 2	1	1	1	1	
20	2S2-16380-10	PUSH LEVER ASSY	1	1	1	1	
21	93317-11287	BEARING	1	1	1	1	
22	93102-12224	OIL SEAL	1	1	1	1	
23	99009-20500	CIRCLIP	1	1	1	1	

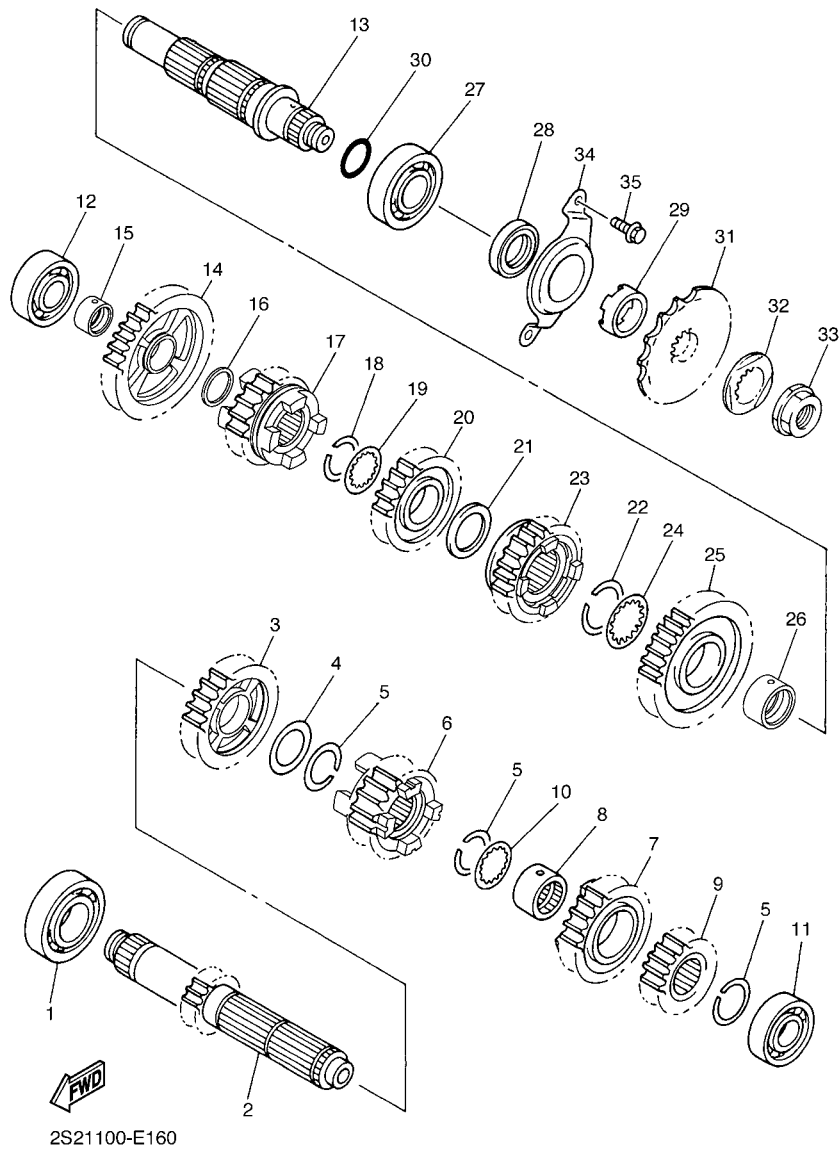
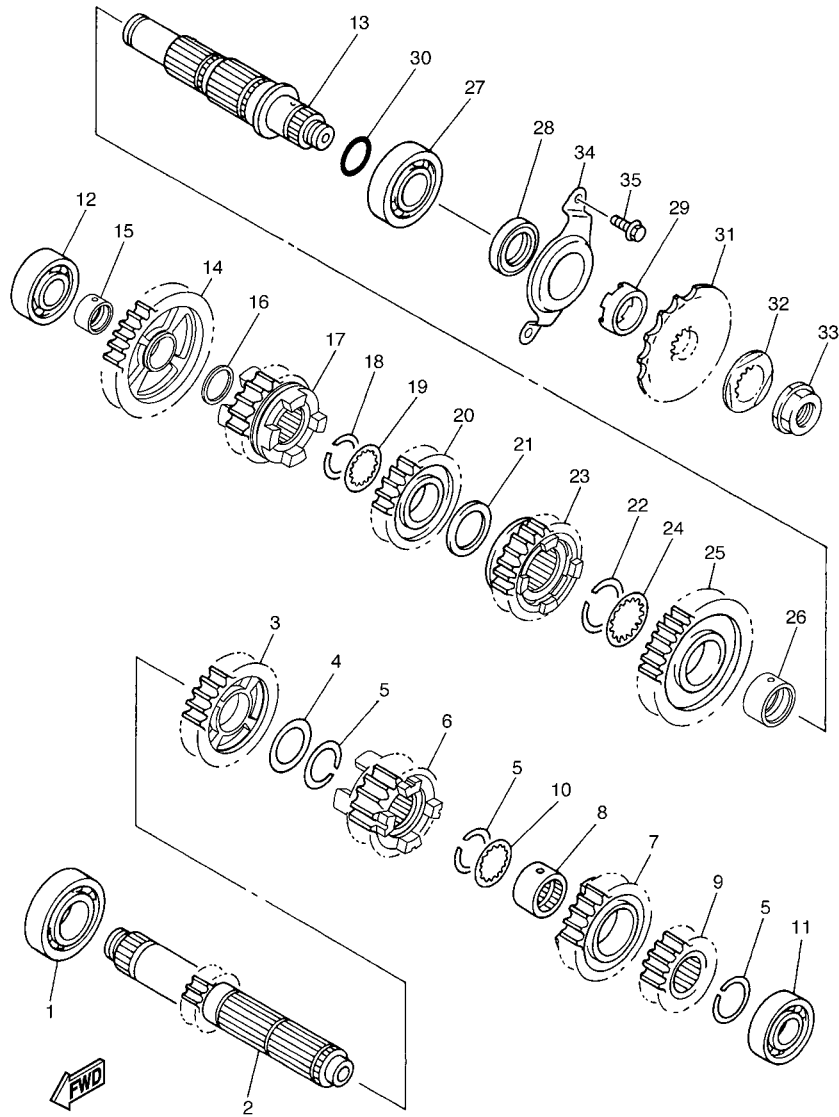


FIG. 17 TRANSMISSION

REF. NO.	PART NO.	DESCRIPTION	34P1	34P2	34P3	34P4	REMARKS
1	93306-20532	BEARING	1	1	1	1	
2	2S2-17411-00	AXLE,MAIN(14T)	1	1	1	1	
3	2S2-17151-00	GEAR, 5TH PINION(21T)	1	1	1	1	
4	90201-253K0	WASHER, PLATE (T=1.0)	1	1	1	1	
5	93440-25084	CIRCLIP	3	3	3	3	
6	2S2-17131-00	GEAR, 3RD PINION(18T)	1	1	1	1	
7	2S2-17141-00	GEAR, 4TH PINION (22T)	1	1	1	1	
8	90387-21005	COLLAR	1	1	1	1	
9	2S2-17121-00	GEAR, 2ND PINION(15T)	1	1	1	1	
10	90209-21332	WASHER	1	1	1	1	
11	93306-00431	BEARING	1	1	1	1	
12	93306-00426	BEARING	1	1	1	1	
13	2S2-17402-00	DRIVE AXLE ASSY	1	1	1	1	
14	2S2-17211-00	GEAR, 1ST WHEEL(27T)	1	1	1	1	
15	90387-20028	COLLAR	1	1	1	1	
16	90201-203E7	WASHER, PLATE	1	1	1	1	
17	2S2-17251-00	GEAR, 5TH WHEEL(20T)	1	1	1	1	
18	93440-25084	CIRCLIP	1	1	1	1	
19	90209-21332	WASHER	1	1	1	1	
20	2S2-17231-00	GEAR, 3RD WHEEL(23T)	1	1	1	1	
21	90201-253K0	WASHER, PLATE (T=1.0)	1	1	1	1	
22	93440-28062	CIRCLIP	1	1	1	1	
23	2S2-17241-00	GEAR, 4TH WHEEL(24T)	1	1	1	1	
24	90209-26348	WASHER	1	1	1	1	
25	2S2-17221-00	GEAR, 2ND WHEEL(23T)	1	1	1	1	
26	90387-28012	COLLAR	1	1	1	1	
27	93306-205A5	BEARING	1	1	1	1	

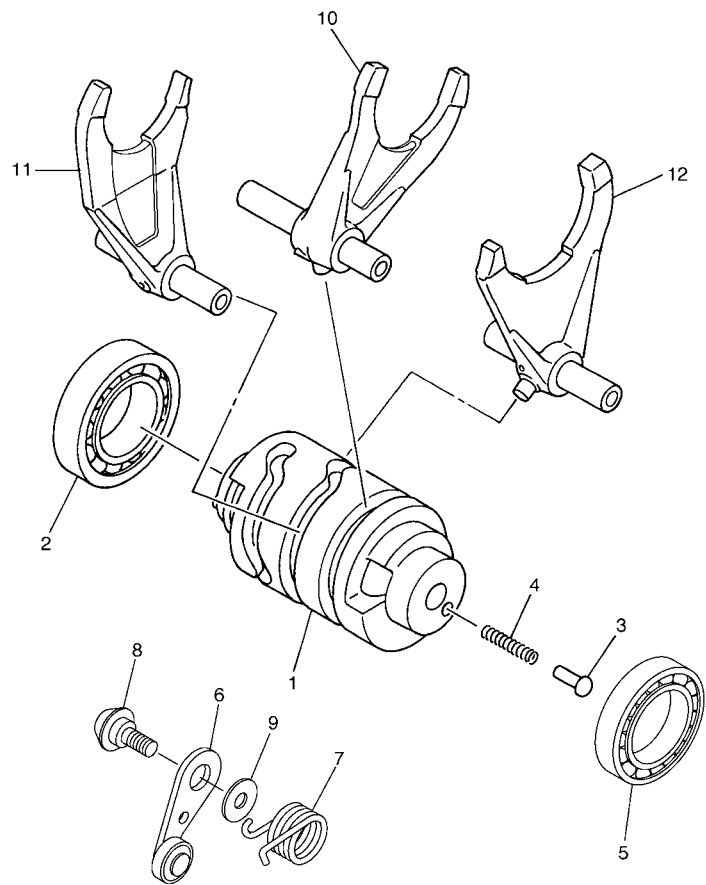


2S21100-E160

FIG. 17 TRANSMISSION

REF. NO.	PART NO.	DESCRIPTION	34P1	34P2	34P3	34P4	REMARKS
28	93102-32480	OIL SEAL	1	1	1	1	
29	90387-2513F	COLLAR	1	1	1	1	
30	93210-22164	O-RING	1	1	1	1	
31	9383E-13233	SPROCKET, DRIVE (13T)	1	1	1	1	
32	90215-21003	WASHER, LOCK	1	1	1	1	
33	90179-20001	NUT	1	1	1	1	
34	2S2-17471-00	PLATE, COVER	1	1	1	1	
35	90105-06081	BOLT, FLANGE	2	2	2	2	



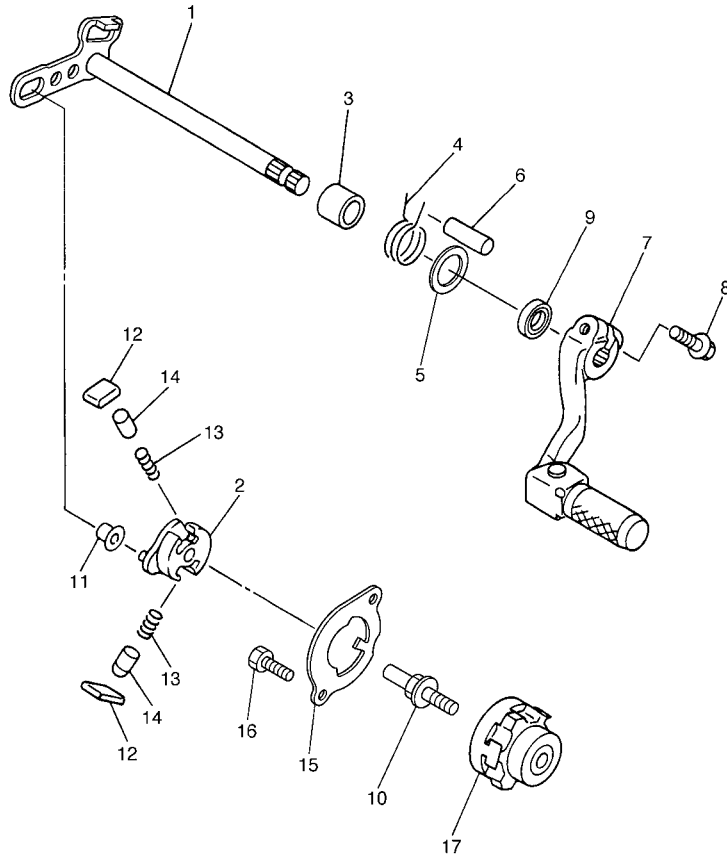


2S27100-F170

FIG. 18 SHIFT CAM & FORK

REF. NO.	PART NO.	DESCRIPTION	34P1	34P2	34P3	34P4	REMARKS
1	5NL-18541-00	CAM, SHIFT	1	1	1	1	
2	93306-90509	BEARING	1	1	1	1	
3	278-18542-00	POINT, NEUTRAL	1	1	1	1	
4	90501-06022	SPRING, COMPRESSION	1	1	1	1	
5	93306-80501	BEARING	1	1	1	1	
6	2S2-18140-10	STOPPER LEVER ASSY	1	1	1	1	
7	90508-26021	SPRING, TORSION	1	1	1	1	
8	90109-06198	BOLT	1	1	1	1	
9	90201-06013	WASHER, PLATE	1	1	1	1	
10	34P-18501-00	FORK, SHIFT 1	1	1	1	1	
11	2S2-18502-00	FORK, SHIFT 2	1	1	1	1	
12	34P-18503-00	FORK, SHIFT 3	1	1	1	1	

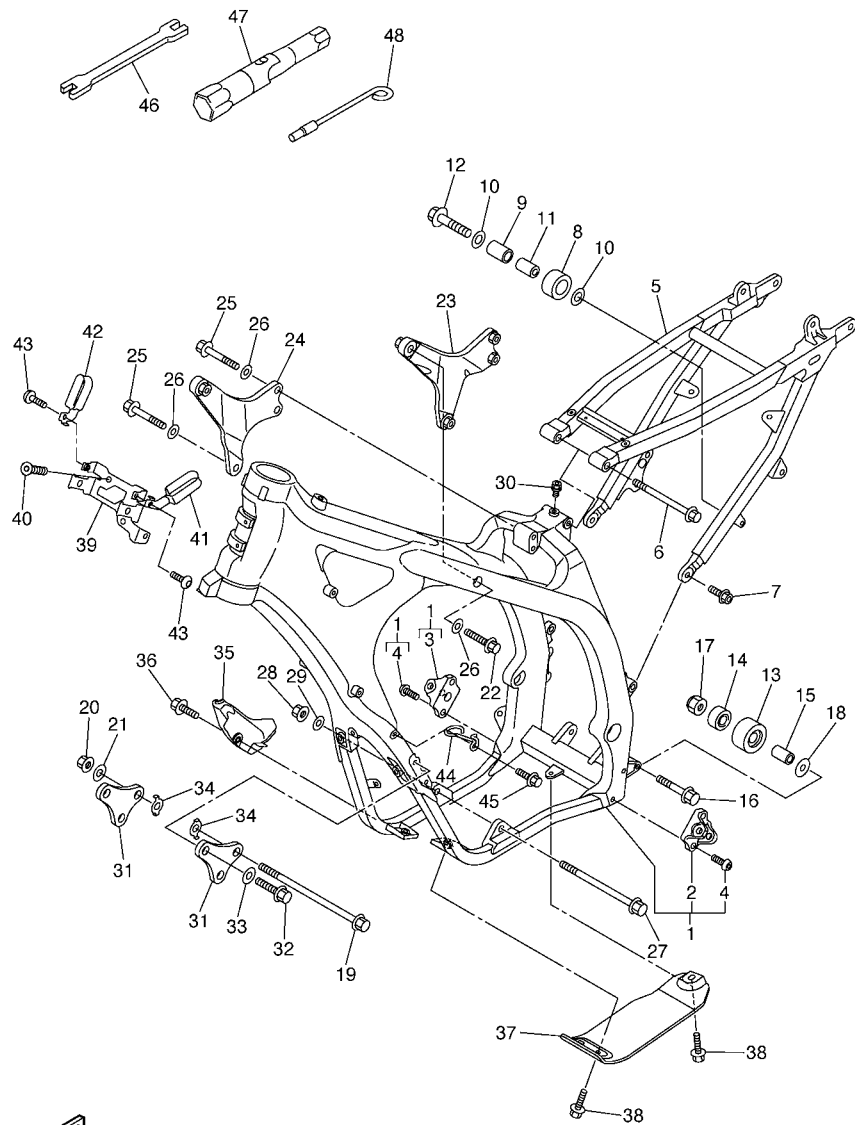
**FIG. 19 SHIFT SHAFT**



REF. NO.	PART NO.	DESCRIPTION	34P1	34P2	34P3	34P4	REMARKS
1	2S2-18101-00	SHIFT SHAFT ASSY	1	1	1	1	
2	5MW-18122-01	LEVER, SHIFT 2	1	1	1	1	
3	90387-124F4	COLLAR	1	1	1	1	
4	90508-29021	SPRING, TORSION	1	1	1	1	
5	90201-127E1	WASHER, PLATE	1	1	1	1	
6	93608-33002	PIN, DOWEL	1	1	1	1	
7	2S2-18110-00	SHIFT PEDAL ASSY	1	1	1	1	
8	95022-06020	BOLT, FLANGE	1	1	1	1	
9	93102-12224	OIL SEAL	1	1	1	1	
10	3XJ-18173-10	PIN, SHIFT	1	1	1	1	
11	3XJ-18178-00	ROLLER, SHIFT LEVER	1	1	1	1	
12	3XJ-18182-00	PAWL, SHIFTER	2	2	2	2	
13	90501-052G5	SPRING, COMPRESSION	2	2	2	2	
14	3XJ-18184-00	PIN, PAWL	2	2	2	2	
15	5TJ-18172-00	GUIDE, SHIFT	1	1	1	1	
16	90101-06041	BOLT	2	2	2	2	
17	2S2-18185-00	SEGMENT	1	1	1	1	



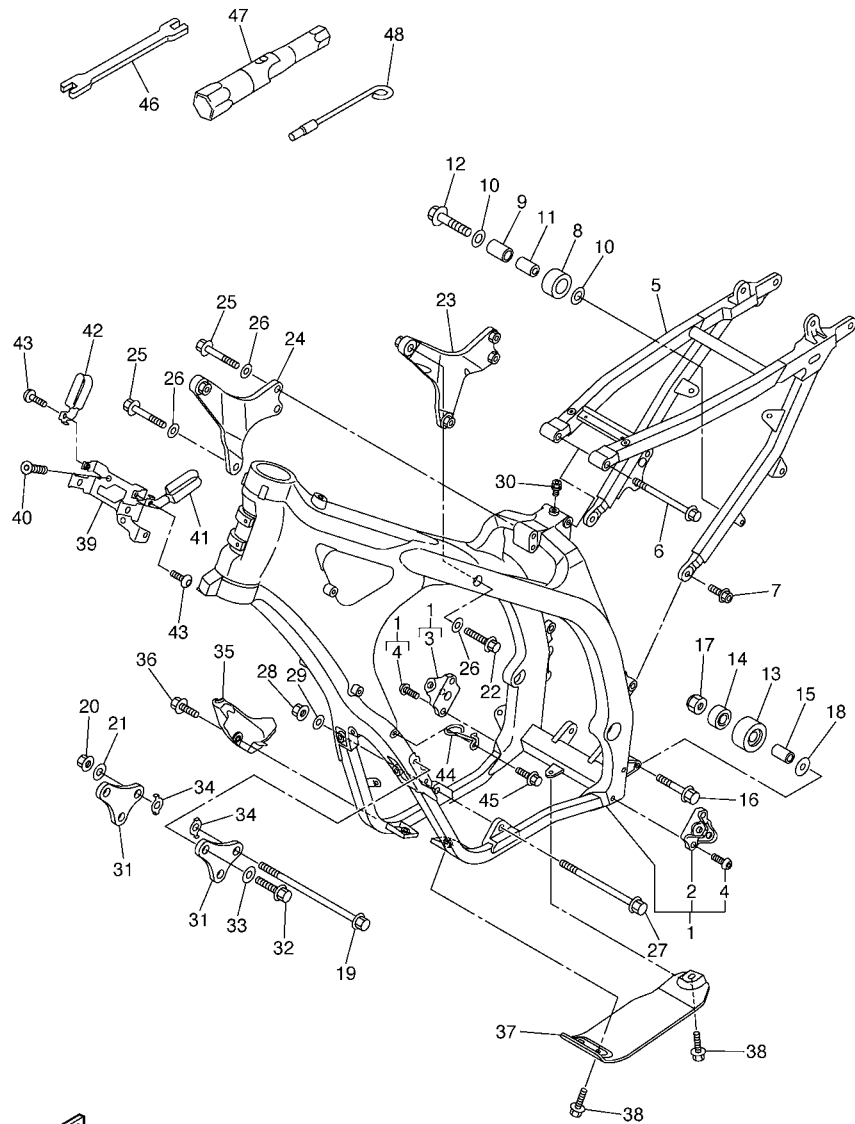
2S21100-E180



2S27100-F190

FIG. 20 FRAME

REF. NO.	PART NO.	DESCRIPTION	34P1	34P2	34P3	34P4	REMARKS
1	34P-21101-01	FRONT FRAME COMP.	1	1	1	1	
2	1C3-21447-10	.BRACKET, FOOTREST	1	1	1	1	
3	1C3-21448-10	.BRACKET, FOOTREST	1	1	1	1	
4	90149-10031	.SCREW	4	4	4	4	
5	5XC-21190-L0	REAR FRAME COMP.	1	1	1	1	
6	90105-08156	BOLT, FLANGE	1	1	1	1	
7	90105-08307	BOLT, FLANGE	2	2	2	2	
8	30X-22178-00	TENSIONER	1	1	1	1	
9	4V4-22184-00	BUSH	1	1	1	1	
10	90201-08045	WASHER, PLATE	2	2	2	2	
11	90387-08041	COLLAR	1	1	1	1	
12	95022-08040	BOLT, FLANGE	1	1	1	1	
13	3JD-22178-20	TENSIONER	1	1	1	1	
14	93300-60839	BEARING	1	1	1	1	
15	90387-086N4	COLLAR	1	1	1	1	
16	90105-08146	BOLT, FLANGE	1	1	1	1	
17	90185-08009	NUT, SELF-LOCKING	1	1	1	1	
18	90201-08043	WASHER, PLATE	1	1	1	1	
19	90105-10193	BOLT, FLANGE	1	1	1	1	
20	90179-10658	NUT	1	1	1	1	
21	90201-10045	WASHER, PLATE	1	1	1	1	
22	90105-10189	BOLT, FLANGE	2	2	2	2	
23	2S2-21425-70	BRACKET, REAR UPPER 1	1	1	1	1	
24	2S2-21426-70	BRACKET, REAR UPPER 2	1	1	1	1	
25	90105-10191	BOLT, FLANGE	3	3	3	3	
26	90201-10045	WASHER, PLATE	5	5	5	5	
27	90105-10176	BOLT, FLANGE	1	1	1	1	



2S27100-F190

FIG. 20 FRAME

REF. NO.	PART NO.	DESCRIPTION	34P1	34P2	34P3	34P4	REMARKS
28	90179-10658	NUT	1	1	1	1	
29	90201-10045	WASHER, PLATE	1	1	1	1	
30	1C3-21244-10	NUT	1	1	1	1	
31	2S2-21417-00	BRACKET, FRONT LOWER 1	2	2	2	2	
32	90105-08143	BOLT, FLANGE	4	4	4	4	
33	92902-08200	WASHER	4	4	4	4	
34	5XC-21456-90	PLATE, PATCH	2	2	2	2	
35	2S2-21471-00	PROTECTOR, ENGINE	1	1	1	1	
36	90119-06146	BOLT, WITH WASHER	1	1	1	1	
37	2S2-2147E-00	GUARD, ENGINE 2	1	1	1	1	
38	90119-06146	BOLT, WITH WASHER	3	3	3	3	
39	5XC-21274-90	BRACKET, C.D.I. UNIT	1	1	1	1	
40	90151-06032	SCREW, COUNTERSUNK	2	2	2	2	
41	2S2-21163-70	HOLDER, CLUTCH CABLE	1	1	1	1	
42	5XC-21164-90	HOLDER, CABLE	1	1	1	1	
43	92012-05008	BOLT, BUTTON HEAD	2	2	2	2	
44	5XC-21288-90	GUIDE, CABLE	1	1	1	1	
45	90105-05014	BOLT, FLANGE	1	1	1	1	
46	5ET-28166-10	WRENCH, HEXAGON	1	1	1	1	
47	5TA-2814F-00	BOX, SPARK PLUG	1	1	1	1	
48	5XC-28116-00	TOOL, SPECIAL	1	1	1	1	

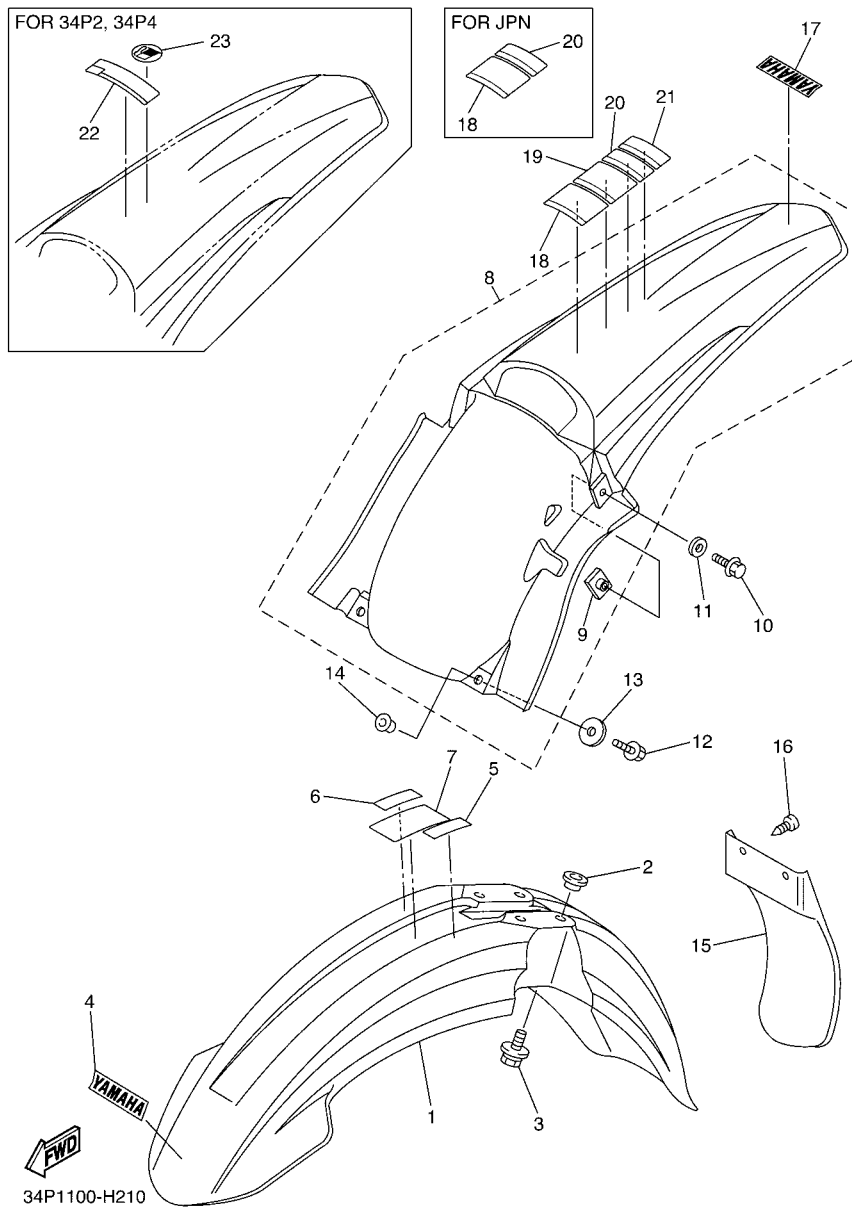


FIG. 21 FENDER

REF. NO.	PART NO.	DESCRIPTION	34P1	34P2	34P3	34P4	REMARKS
1	1C3-21511-51	FENDER, FRONT	1	1	1	1	UR FOR DPBSE
	2S2-21511-70	FENDER, FRONT	1	1		1	UR FOR PWS1
2	90387-06090	COLLAR	4	4	4	4	
3	90119-06147	BOLT, WITH WASHER	4	4	4	4	
4	4ES-2153E-01	EMBLEM, YAMAHA	1	1	1	1	UR FOR DPBSE
	4ES-2153E-20	EMBLEM, YAMAHA	1	1		1	UR FOR PWS1
5	3FB-2415E-02	LABEL, CAUTION	1				
	3FB-2415E-C1	LABEL, CAUTION			1		JAPANESE
6	3FB-2415E-12	LABEL, CAUTION	1				
7	4SR-2416E-00	LABEL, CAUTION CANADA	1				
8	5XC-21610-90	REAR FENDER COMP.	1	1	1	1	UR FOR DPBSE
	2S2-21610-70	REAR FENDER COMP.	1	1		1	UR FOR PWS1
9	5XE-21635-10	.NUT, REAR FENDER	2	2	2	2	
10	90105-06100	BOLT, FLANGE	2	2	2	2	
11	90201-06104	WASHER, PLATE	2	2	2	2	
12	90105-06106	BOLT, FLANGE	2	2	2	2	
13	90201-06085	WASHER, PLATE	2	2	2	2	
14	90387-06009	COLLAR	2	2	2	2	
15	5TA-21642-00	GUARD, FLAP	1	1	1	1	
16	97702-60016	SCREW, TAPPING	2	2	2	2	
17	3WF-2153E-10	EMBLEM, YAMAHA	1	1	1	1	UR FOR DPBSE
	3WF-2153E-40	EMBLEM, YAMAHA	1	1		1	UR FOR PWS1
18	5PA-2118K-00	LABEL, CAUTION	1				
	5PA-2118K-20	LABEL, CAUTION			1		
19	5PA-2118K-10	LABEL, CAUTION	1				
20	3XJ-2151H-A1	LABEL 5	1				
	4LB-2151H-02	LABEL 5			1		JAPANESE

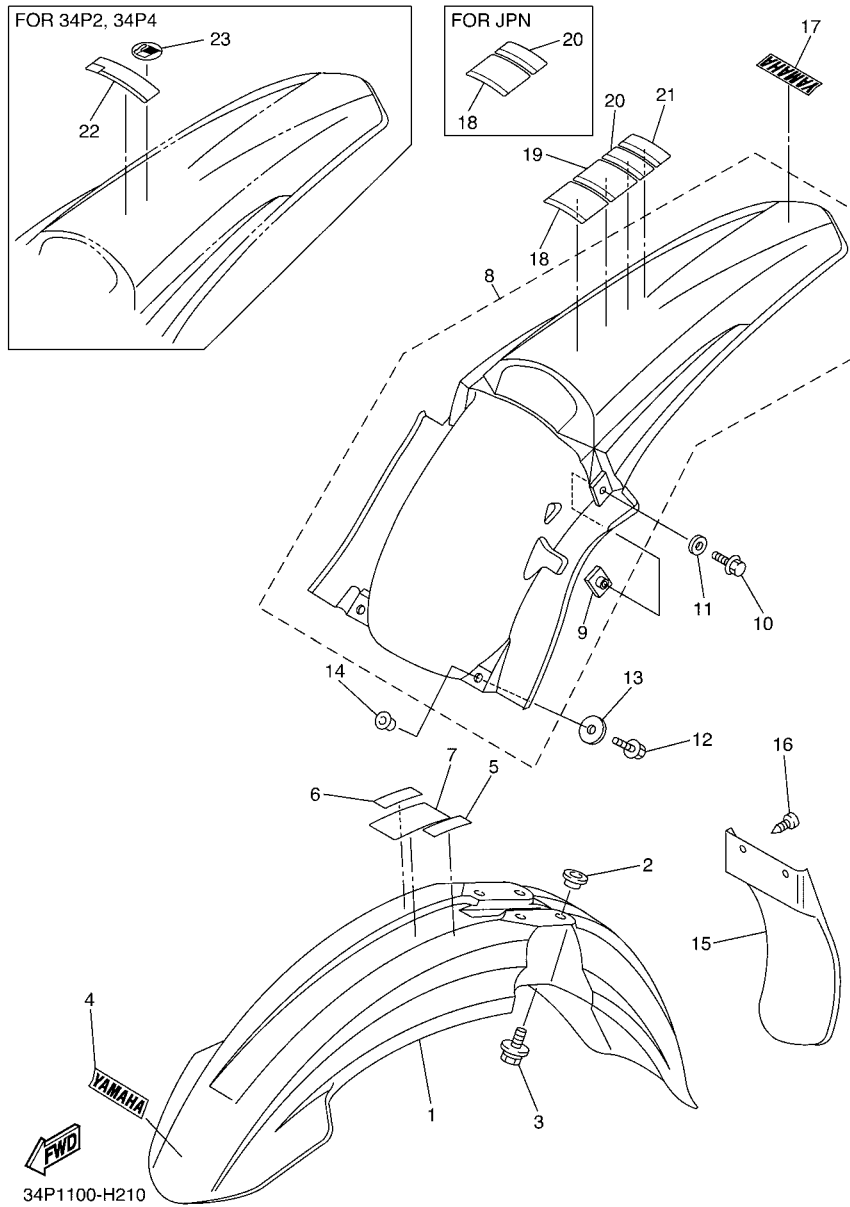
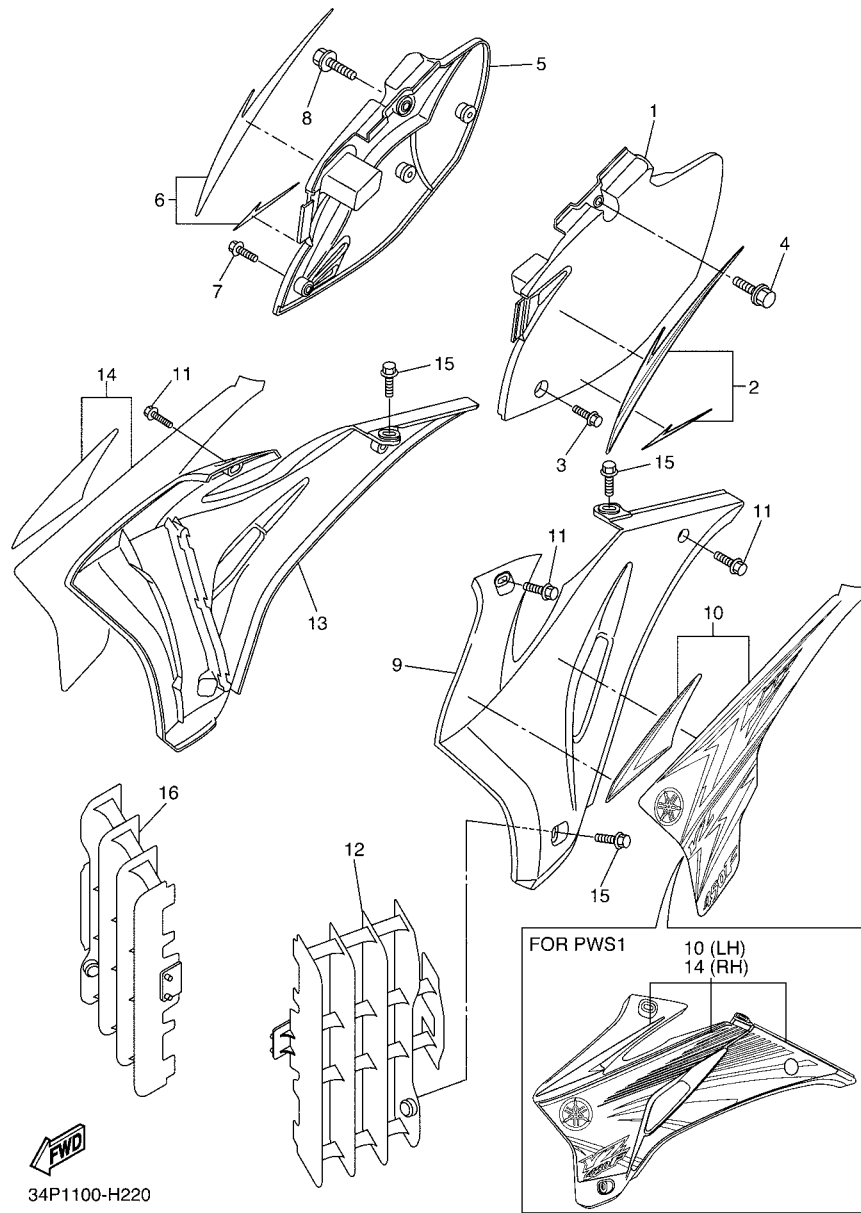


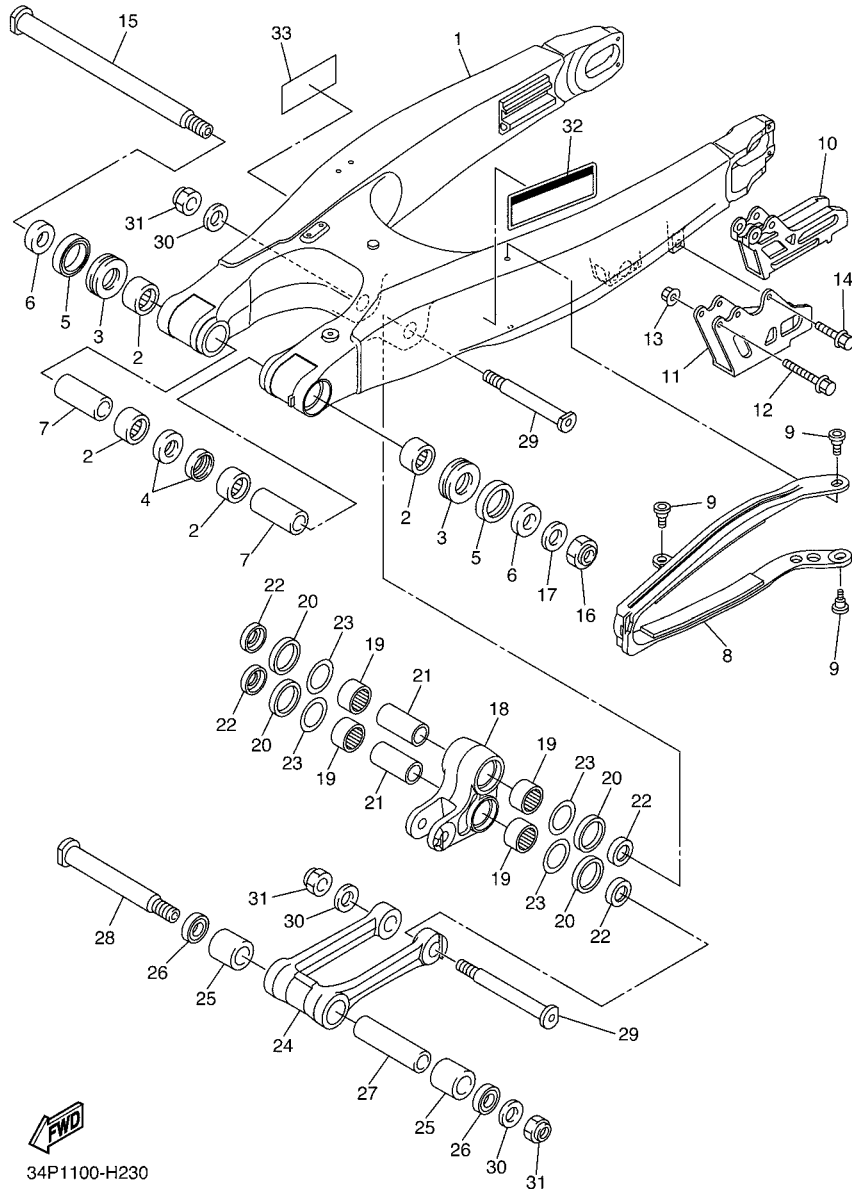
FIG. 21 FENDER

REF. NO.	PART NO.	DESCRIPTION	34P1	34P2	34P3	34P4	REMARKS
21	3XJ-2151H-B1	LABEL 5	1				
22	5RU-21568-01	LABEL, WARNING		1		1	
23	3ME-2415E-01	LABEL, CAUTION		1			



**FIG. 22 SIDE COVER**

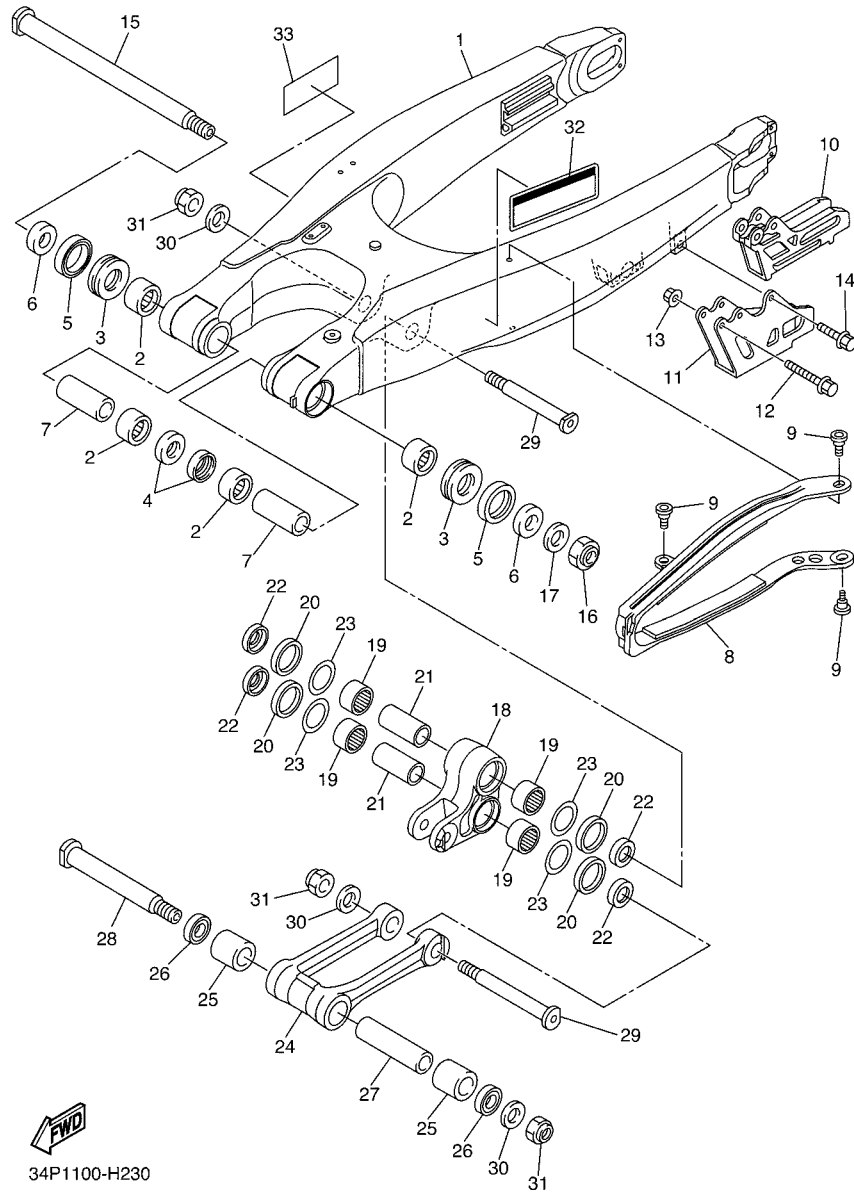
REF. NO.	PART NO.	DESCRIPTION	34P1	34P2	34P3	34P4	REMARKS
1	5XC-21710-90	SIDE COVER ASSY 1	1	1	1	1	
2	34P-2167A-00	GRAPHIC SET	1	1	1	1	UR FOR DPBSE
	34P-2167A-10	GRAPHIC SET	1	1		1	UR FOR PWS1
3	90105-06103	BOLT, FLANGE	1	1	1	1	
4	90119-08095	BOLT, WITH WASHER	1	1	1	1	
5	5XC-21720-90	SIDE COVER ASSY 2	1	1	1	1	
6	34P-2167B-00	GRAPHIC SET 2	1	1	1	1	UR FOR DPBSE
	34P-2167B-10	GRAPHIC SET 2	1	1		1	UR FOR PWS1
7	90105-06103	BOLT, FLANGE	1	1	1	1	
8	90119-08095	BOLT, WITH WASHER	1	1	1	1	
9	5XC-21730-90	SIDE COVER ASSY 3	1	1	1	1	UR FOR DPBSE
	2S2-21730-70	SIDE COVER ASSY 3	1	1		1	UR FOR PWS1
10	34P-2173L-00	GRAPHIC SET 1	1	1	1	1	UR FOR DPBSE
	5XC-2173L-30	GRAPHIC SET 1	1	1		1	UR FOR PWS1
11	90105-06064	BOLT, FLANGE	4	4	4	4	
12	2S2-2172A-70	PANEL 1	1	1	1	1	
13	5XC-21740-90	SIDE COVER ASSY 4	1	1	1	1	UR FOR DPBSE
	2S2-21740-70	SIDE COVER ASSY 4	1	1		1	UR FOR PWS1
14	34P-2174L-00	GRAPHIC SET 2	1	1	1	1	UR FOR DPBSE
	5XC-2174L-30	GRAPHIC SET 2	1	1		1	UR FOR PWS1
15	90105-06064	BOLT, FLANGE	4	4	4	4	
16	2S2-2172A-80	PANEL 1	1	1	1	1	



**FIG. 23 REAR ARM**

REF. NO.	PART NO.	DESCRIPTION	34P1	34P2	34P3	34P4	REMARKS
1	34P-22110-00	REAR ARM COMP.	1	1	1	1	
2	93317-22262	BEARING	4	4	4	4	
3	93342-22217	BEARING	2	2	2	2	
4	93106-22002	OIL SEAL	2	2	2	2	
5	93109-28043	OIL SEAL	2	2	2	2	
6	90387-18012	COLLAR	2	2	2	2	
7	90387-18004	COLLAR	2	2	2	2	
8	34P-22151-00	SEAL, GUARD	1	1	1	1	
9	1C3-22969-90	SCREW, 1	3	3	3	3	
10	2S2-22199-70	SUPPORT, CHAIN	1	1	1	1	
11	2S2-22128-70	COVER, THRUST 1	1	1	1	1	
12	90105-06104	BOLT, FLANGE	2	2	2	2	
13	90179-06028	NUT	2	2	2	2	
14	90105-06105	BOLT, FLANGE	1	1	1	1	
15	1C3-22141-10	SHAFT, PIVOT	1	1	1	1	
16	90185-16002	NUT, SELF-LOCKING	1	1	1	1	
17	90201-16018	WASHER, PLATE	1	1	1	1	
18	17D-2217A-00	ARM, RELAY	1	1	1	1	
19	93315-32166	BEARING	4	4	4	4	
20	93109-25001	OIL SEAL	4	4	4	4	
21	90387-16026	COLLAR	2	2	2	2	
22	90209-16011	WASHER	4	4	4	4	
23	90201-21014	WASHER, PLATE	4	4	4	4	
24	17D-2217F-00	ROD, CONNECTING 1	1	1	1	1	
25	93315-32166	BEARING	2	2	2	2	
26	93109-21001	OIL SEAL	2	2	2	2	
27	90387-14016	COLLAR	1	1	1	1	



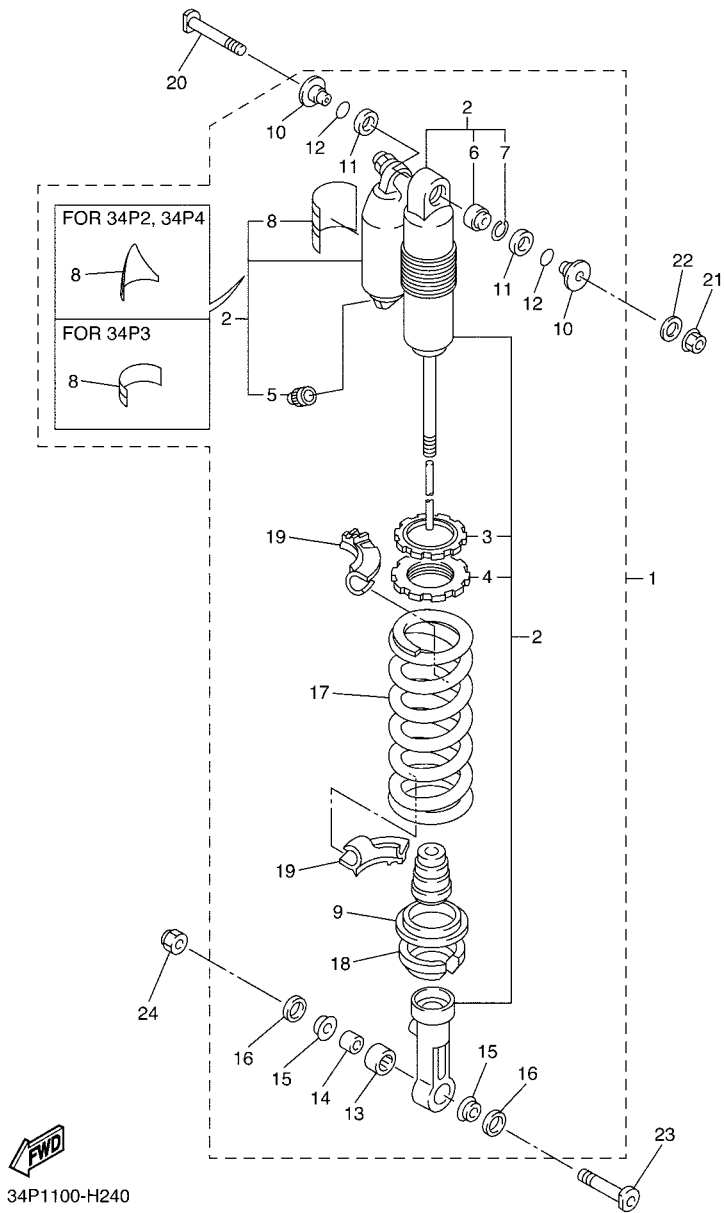


34P1100-H230

**FIG. 23 REAR ARM**

REF. NO.	PART NO.	DESCRIPTION	34P1	34P2	34P3	34P4	REMARKS
28	5XC-22121-91	SHAFT 1	1	1	1	1	
29	34P-22122-00	SHAFT 2	2	2	2	2	
30	90201-14020	WASHER, PLATE	3	3	3	3	
31	90185-14010	NUT, SELF-LOCKING	3	3	3	3	
32	3RV-21668-A0	LABEL, TIRE	1	1		1	
33	3RV-21668-B0	LABEL, TIRE	1				

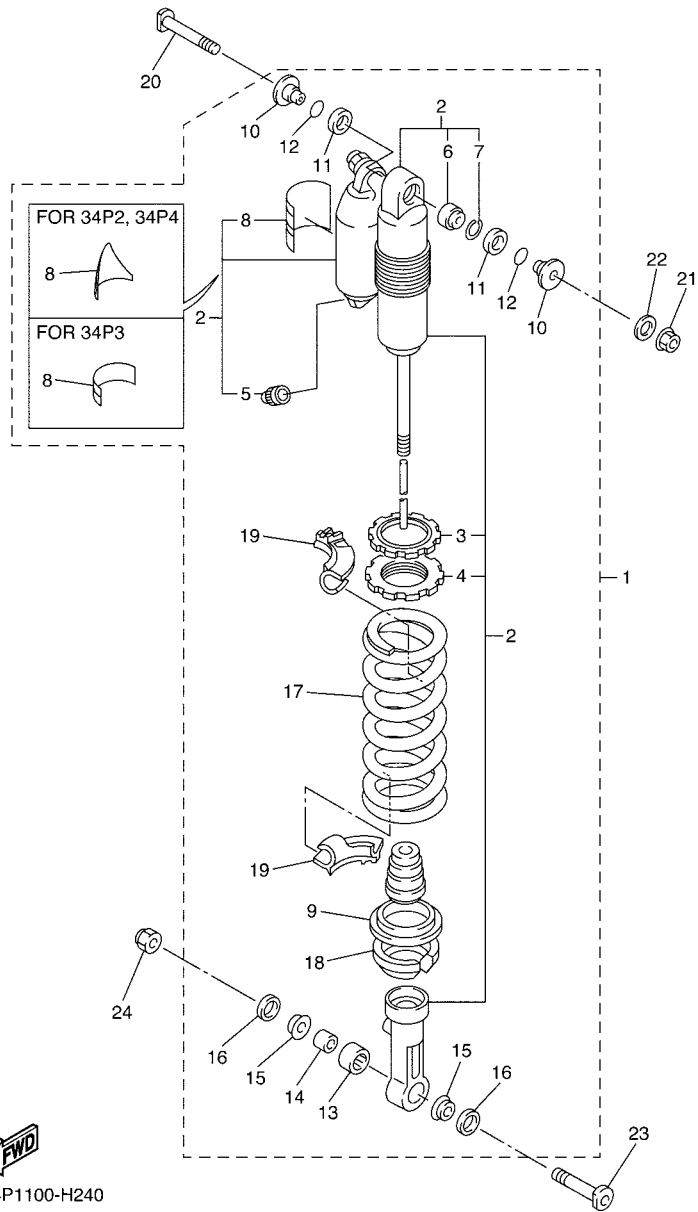
FIG. 24 REAR SUSPENSION



34P1100-H240

REF. NO.	PART NO.	DESCRIPTION	34P1	34P2	34P3	34P4	REMARKS
1	34P-22200-40	SHOCK ABSORBER ASSY, REAR	1				UR FOR DPBSE
	34P-22200-80	SHOCK ABSORBER ASSY, REAR	1				UR FOR PWS1
	34P-22200-10	SHOCK ABSORBER ASSY, REAR		1		1	UR FOR DPBSE
	34P-22200-60	SHOCK ABSORBER ASSY, REAR		1		1	UR FOR PWS1
	34P-22200-20	SHOCK ABSORBER ASSY, REAR			1		
2	34P-22201-40	.DAMPER SUB ASSY	1				UR FOR DPBSE
	34P-22201-80	.DAMPER SUB ASSY	1				UR FOR PWS1
	34P-22201-10	.DAMPER SUB ASSY		1		1	UR FOR DPBSE
	34P-22201-60	.DAMPER SUB ASSY		1		1	UR FOR PWS1
	34P-22201-20	.DAMPER SUB ASSY			1		
3	3SP-22234-00	..GUIDE, SPRING 3	1	1	1	1	
4	1C3-22213-L0	..SEAT, SPRING UPPER	1	1	1	1	
5	509-23184-L0	..CAP, AIR VALVE	1	1	1	1	
6	4JX-22226-00	..BUSH, SHOCK ABSORBER LOWER	1	1	1	1	
7	5DH-23183-00	..CIRCLIP	1	1	1	1	
8	4AA-22259-60	..LABEL, WARNING	1				
	4AA-22259-40	..LABEL, WARNING		1		1	
	4AA-22259-50	..LABEL, WARNING			1		
9	5MV-22224-00	.GUIDE, SPRING 2	1	1	1	1	
10	1C3-22253-50	.COLLAR, DISTANCE	2	2	2	2	
11	3JE-22475-00	.SEAL, DUST	2	2	2	2	
12	4EW-22474-00	.SEAL, RING	2	2	2	2	
13	5UN-22176-00	.BEARING	1	1	1	1	
14	5MV-22184-00	.BUSH	1	1	1	1	
15	1C3-22253-L0	.COLLAR, DISTANCE	2	2	2	2	
16	5NY-22475-00	.SEAL, DUST	2	2	2	2	
17	1C3-22212-50	.SPRING (K=54N/MM)	1	1	1	1	UR FOR DPBSE

**FIG. 24 REAR SUSPENSION**



REF. NO.	PART NO.	DESCRIPTION	34P1	34P2	34P3	34P4	REMARKS
17	1C3-22212-B0	.SPRING (K=54N/MM)	1	1		1	UR FOR PWS1
18	1C3-22214-50	.GUIDE, SPRING 1	1	1	1	1	
19	1C3-22565-00	.SPRING SEAT	2	2	2	2	
20	5XE-22242-00	BOLT 2	1	1	1	1	
21	95602-10200	NUT, U FLANGE	1	1	1	1	
22	92902-10200	WASHER	1	1	1	1	
23	5NY-22241-00	BOLT 1	1	1	1	1	
24	90185-10012	NUT, SELF-LOCKING	1	1	1	1	
-----							
-----							
-----							
-----							
-----							
-----							
-----							
-----							
-----							
-----							



34P1100-H250

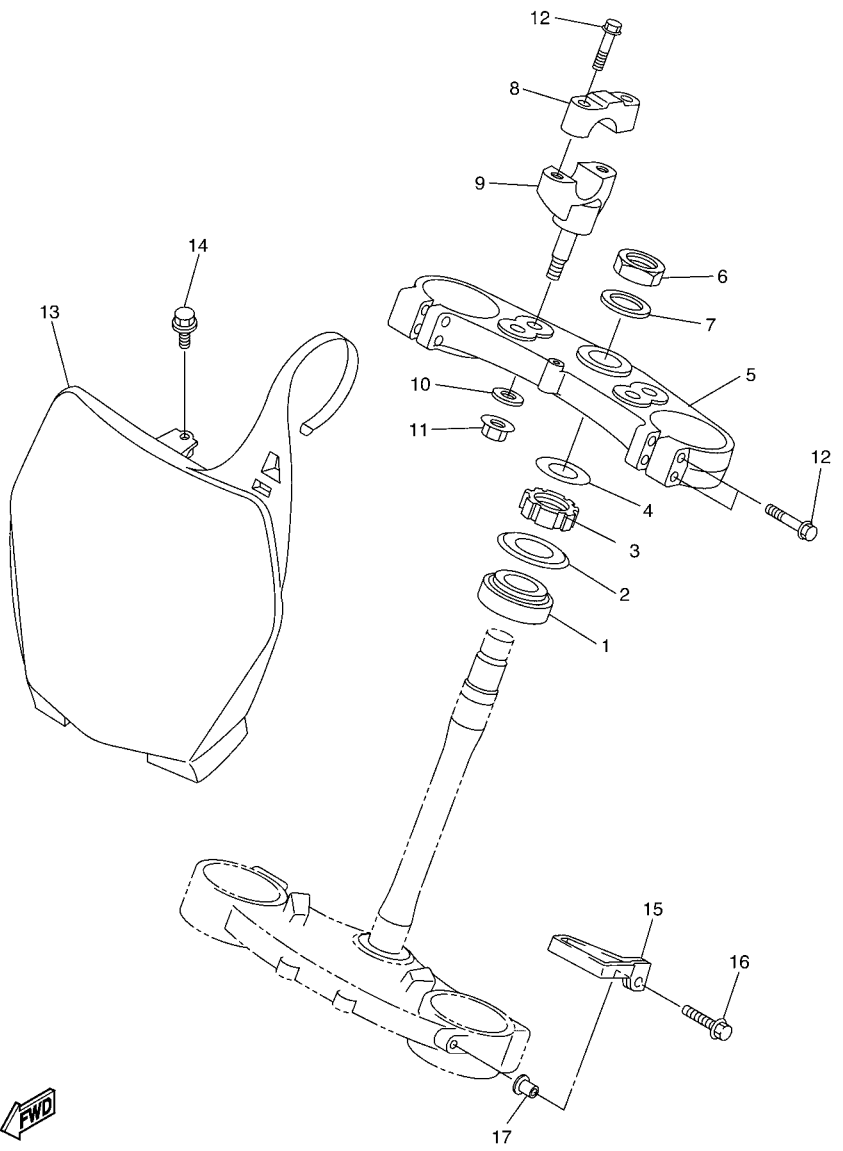
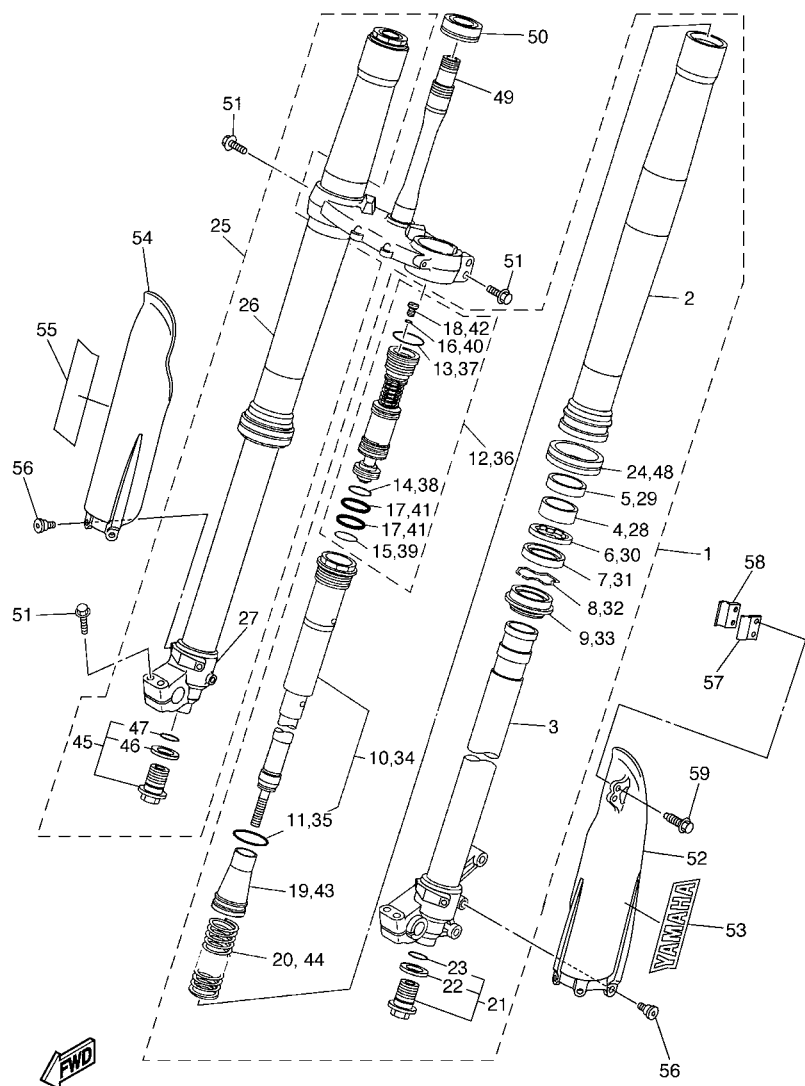


FIG. 25 STEERING

REF. NO.	PART NO.	DESCRIPTION	34P1	34P2	34P3	34P4	REMARKS
1	93332-00068	BEARING	1	1	1	1	
2	4EW-23416-00	COVER, BALL RACE 2	1	1	1	1	
3	90179-28013	NUT	1	1	1	1	
4	90201-286K9	WASHER, PLATE (T1.0)	1	1	1	1	
5	17D-23435-00	CROWN, HANDLE	1	1	1	1	
6	90170-24003	NUT	1	1	1	1	
7	90201-24016	WASHER, PLATE	1	1	1	1	
8	5XC-23441-90	HOLDER, HANDLE UPPER	2	2	2	2	
9	5UM-23442-E0	HOLDER, HANDLE LOWER	2	2	2	2	
10	92902-10200	WASHER	2	2	2	2	
11	95602-10200	NUT, U FLANGE	2	2	2	2	
12	90105-08154	BOLT, FLANGE	8	8	8	8	
13	1C3-23485-A0	PLATE, NUMBER	1	1	1	1	
14	90119-06149	BOLT, WITH WASHER	1	1	1	1	
15	5XE-23389-00	GUIDE, CABLE	1	1	1	1	
16	90105-06107	BOLT, FLANGE	1	1	1	1	
17	90387-06104	COLLAR	1	1	1	1	

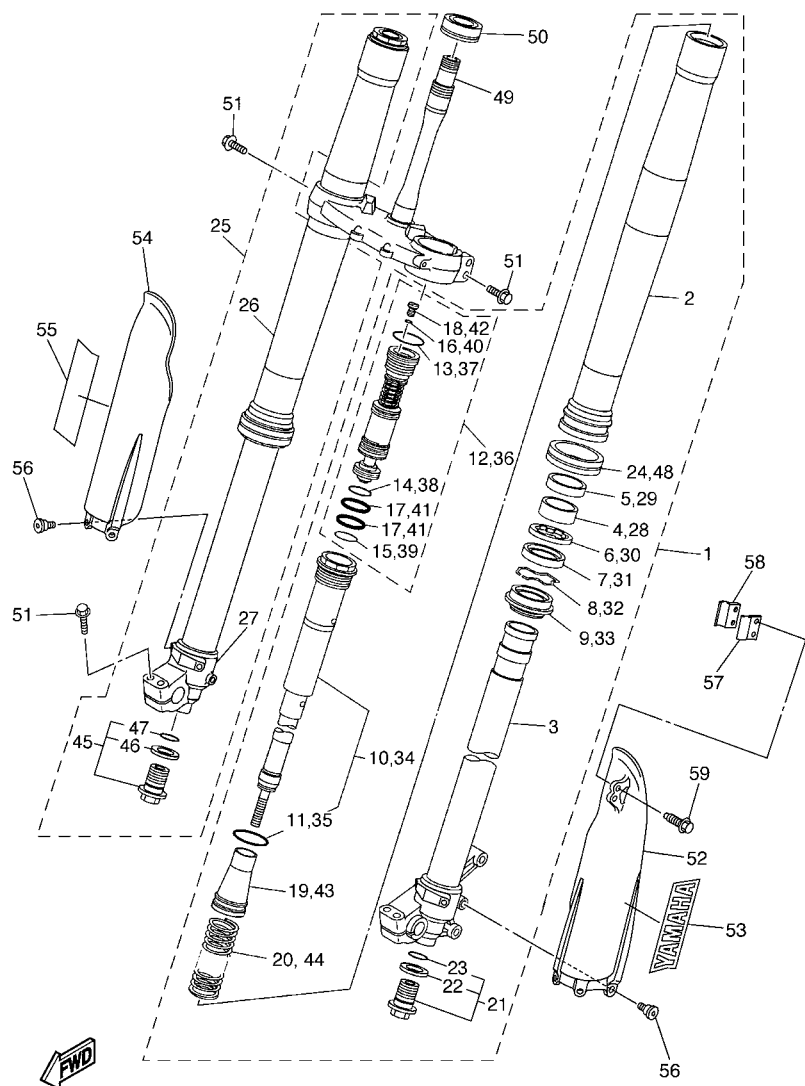
FIG. 26 FRONT FORK



34P1100-H260

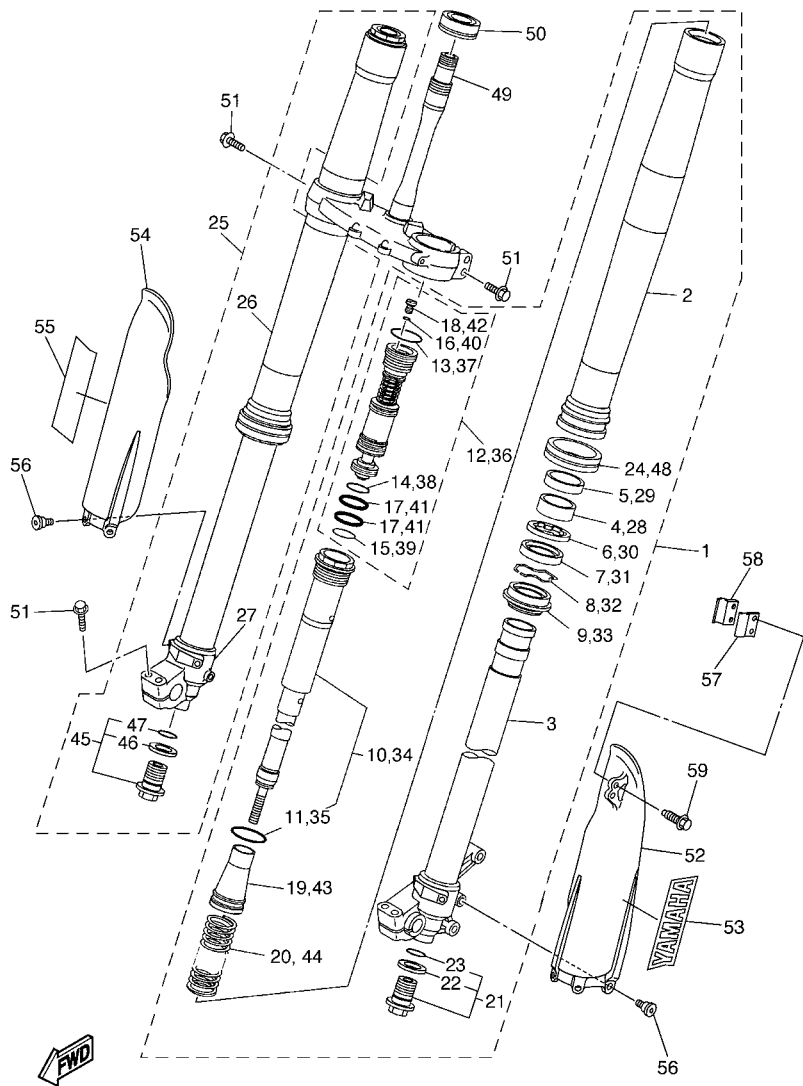
REF. NO.	PART NO.	DESCRIPTION	34P1	34P2	34P3	34P4	REMARKS
1	34P-23102-00	FRONT FORK ASSY (L.H)	1				
	34P-23102-10	FRONT FORK ASSY (L.H)		1	1	1	
2	2S2-23136-00	.TUBE, OUTER (RIGHT)	1	1	1	1	
3	2S2-23120-00	.INNER TUBE COMP.2	1	1	1	1	
4	5XE-23171-L0	.PISTON, FRONT FORK	1	1	1	1	
5	5XE-23125-L0	.METAL, SLIDE 1	1	1	1	1	
6	5XC-23146-10	.WASHER, OIL SEAL	1	1	1	1	
7	1C3-23145-M0	.OIL SEAL	1	1	1	1	
8	5XE-23153-L0	.RING, SNAP	1	1	1	1	
9	5XE-23144-L0	.SEAL, DUST	1	1	1	1	
10	2S2-23170-20	.CYLINDER COMP., FRONT FORK	1				
	34P-23170-00	.CYLINDER COMP., FRONT FORK		1	1	1	
11	1C3-23147-L0	..O-RING	1	1	1	1	
12	2S2-2316A-20	.VALVE COMP.	1				
	34P-2316A-00	.VALVE COMP.		1	1	1	
13	1C3-23188-L0	..O-RING	1	1	1	1	
14	1C3-23188-N0	..O-RING	1	1	1	1	
15	1C3-23188-P0	..O-RING	1	1	1	1	
16	1C3-23188-R0	..O-RING	1	1	1	1	
17	1AE-23147-00	..O-RING	2	2	2	2	
18	1C3-23190-L0	..AIR VALVE COMP.	1	1	1	1	
19	1C3-23142-L0	.SEAT, SPRING UPPER	1	1	1	1	
20	2S2-23141-L1	.SPRING, FRONT FORK(K=4.6N/MM)	1	1	1	1	
21	5XC-23111-00	.BOLT, CAP	1	1	1	1	
22	2HH-23158-L0	..GASKET	1	1	1	1	
23	276-23114-00	..GASKET	1	1	1	1	
24	5XC-2314F-00	.PROTECTOR GUIDE COMP., 1	1	1	1	1	

FIG. 26 FRONT FORK



34P1100-H260

REF. NO.	PART NO.	DESCRIPTION	34P1	34P2	34P3	34P4	REMARKS
25	34P-23103-00	FRONT FORK ASSY (R.H)	1				
	34P-23103-10	FRONT FORK ASSY (R.H)		1	1	1	
26	2S2-23136-00	.TUBE, OUTER (RIGHT)	1	1	1	1	
27	2S2-23110-00	.INNER TUBE COMP.1	1	1	1	1	
28	5XE-23171-L0	.PISTON, FRONT FORK	1	1	1	1	
29	5XE-23125-L0	.METAL, SLIDE 1	1	1	1	1	
30	5XC-23146-10	.WASHER, OIL SEAL	1	1	1	1	
31	1C3-23145-M0	.OIL SEAL	1	1	1	1	
32	5XE-23153-L0	.RING, SNAP	1	1	1	1	
33	5XE-23144-L0	.SEAL, DUST	1	1	1	1	
34	2S2-23170-20	.CYLINDER COMP., FRONT FORK	1				
	34P-23170-00	.CYLINDER COMP., FRONT FORK		1	1	1	
35	1C3-23147-L0	..O-RING	1	1	1	1	
36	2S2-2316A-20	.VALVE COMP.	1				
	34P-2316A-00	.VALVE COMP.		1	1	1	
37	1C3-23188-L0	..O-RING	1	1	1	1	
38	1C3-23188-N0	..O-RING	1	1	1	1	
39	1C3-23188-P0	..O-RING	1	1	1	1	
40	1C3-23188-R0	..O-RING	1	1	1	1	
41	1AE-23147-00	..O-RING	2	2	2	2	
42	1C3-23190-L0	..AIR VALVE COMP.	1	1	1	1	
43	1C3-23142-L0	.SEAT, SPRING UPPER	1	1	1	1	
44	2S2-23141-L1	.SPRING, FRONT FORK(K=4.6N/MM)	1	1	1	1	
45	5XC-23111-00	.BOLT, CAP	1	1	1	1	
46	2HH-23158-L0	..GASKET	1	1	1	1	
47	276-23114-00	..GASKET	1	1	1	1	
48	5XC-2314F-00	.PROTECTOR GUIDE COMP., 1	1	1	1	1	



34P1100-H260

FIG. 26 FRONT FORK

REF. NO.	PART NO.	DESCRIPTION	34P1	34P2	34P3	34P4	REMARKS
49	2S2-23340-10	UNDER BRACKET COMP.	1	1	1	1	
50	93332-00081	BEARING	1	1	1	1	
51	90105-08154	BOLT, FLANGE	8	8	8	8	
52	5XC-2315H-00	PROTECTOR 1	1	1	1	1	
53	4XL-2153A-10	EMBLEM, YAMAHA	1	1	1	1	
54	5XC-2315J-00	PROTECTOR 2	1	1	1	1	
55	4XL-2153A-10	EMBLEM, YAMAHA	1	1	1	1	
56	90109-06232	BOLT	6	6	6	6	
57	17D-23466-00	CLAMP	1	1	1	1	
58	17D-23467-00	CLAMP	1	1	1	1	
59	90105-06178	BOLT, FLANGE	2	2	2	2	

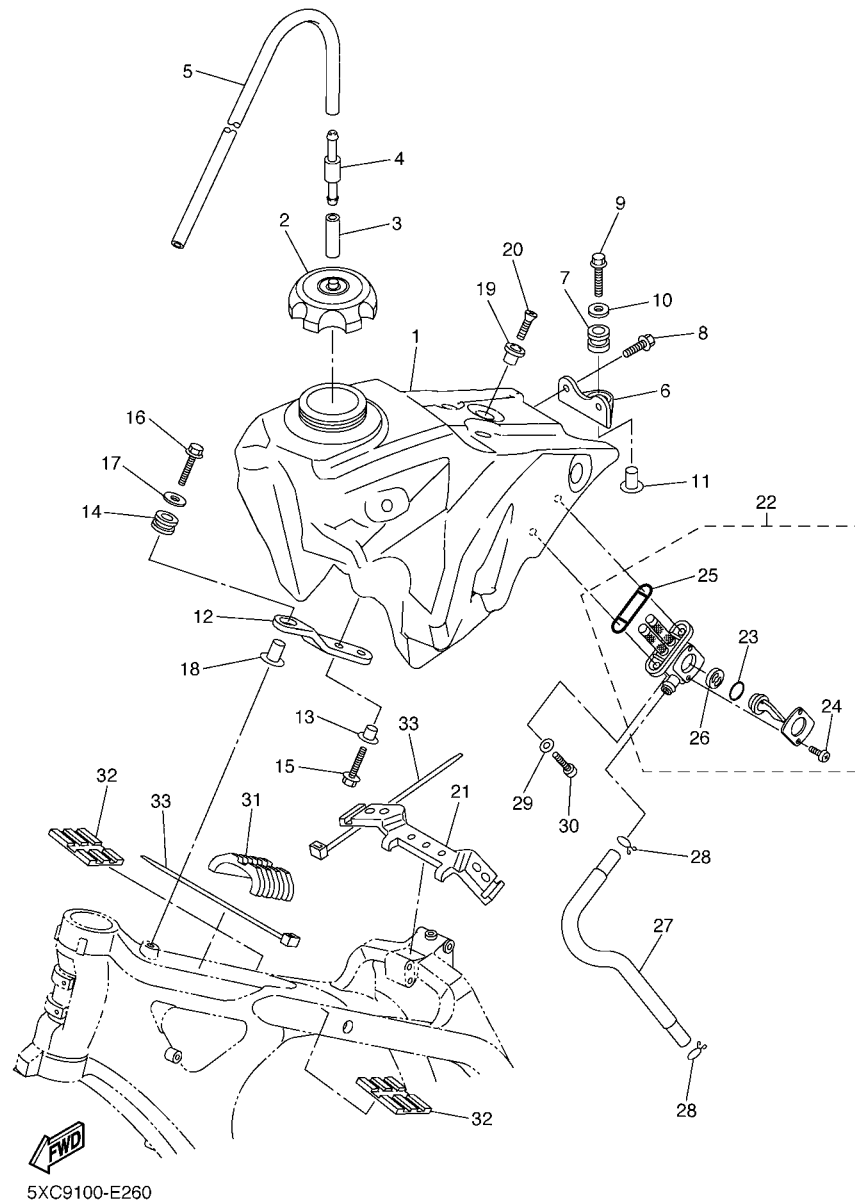


FIG. 27 FUEL TANK

REF. NO.	PART NO.	DESCRIPTION	34P1	34P2	34P3	34P4	REMARKS
1	2S2-24110-70	FUEL TANK COMP.	1	1	1	1	
2	5NY-24610-00	CAP ASSY	1	1	1	1	
3	90445-09220	HOSE (L30)	1	1	1	1	
4	3XJ-24380-00	PIPE JOINT ASSY	1	1	1	1	
5	90445-09251	HOSE (L350)	1	1	1	1	
6	5XE-24144-00	HOLDER, DAMPER	1	1	1	1	
7	90480-18549	GROMMET	1	1	1	1	
8	90105-06107	BOLT, FLANGE	2	2	2	2	
9	90105-06111	BOLT, FLANGE	1	1	1	1	
10	90201-06570	WASHER, PLATE	1	1	1	1	
11	3JD-24186-00	WASHER, SPECIAL	1	1	1	1	
12	5XC-2419A-90	HOLDER	1	1	1	1	
13	90387-06090	COLLAR	2	2	2	2	
14	5XC-24339-90	GROMMET	1	1	1	1	
15	90105-06107	BOLT, FLANGE	2	2	2	2	
16	90105-06111	BOLT, FLANGE	1	1	1	1	
17	90201-06570	WASHER, PLATE	1	1	1	1	
18	90387-06065	COLLAR	1	1	1	1	
19	4EW-2412F-00	BRACKET, SEAT	1	1	1	1	
20	98702-06025	SCREW, FLAT HEAD	1	1	1	1	
21	5XC-24181-90	DAMPER, LOCATING 1	1	1	1	1	
22	4JT-24500-10	FUEL COCK ASSY 1	1	1	1	1	
23	3AJ-24534-01	.SEAL, COCK	1	1	1	1	
24	98502-03008	.SCREW, PAN HEAD	2	2	2	2	
25	4X8-24512-00	.O-RING	1	1	1	1	
26	3AC-24523-00	.VALVE PACKING	1	1	1	1	
27	2S2-24311-00	PIPE, FUEL 1	1	1	1	1	



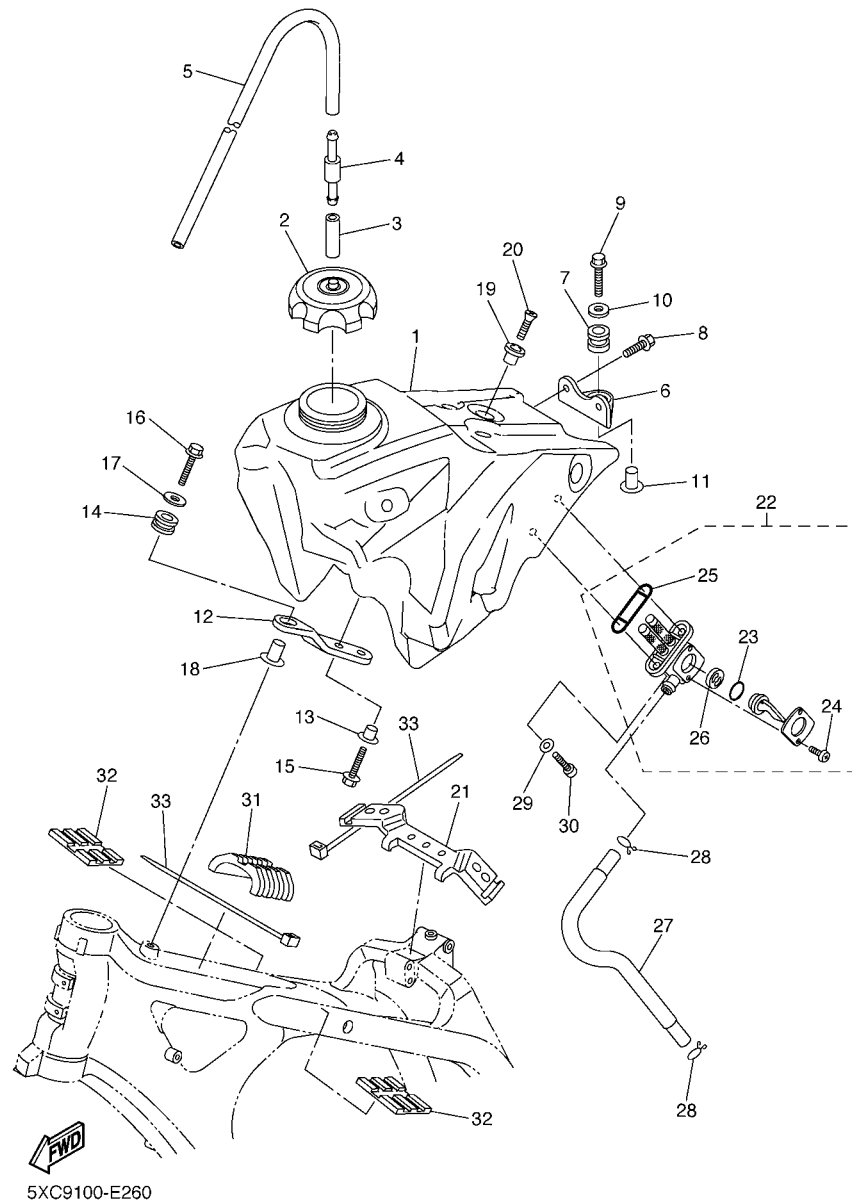
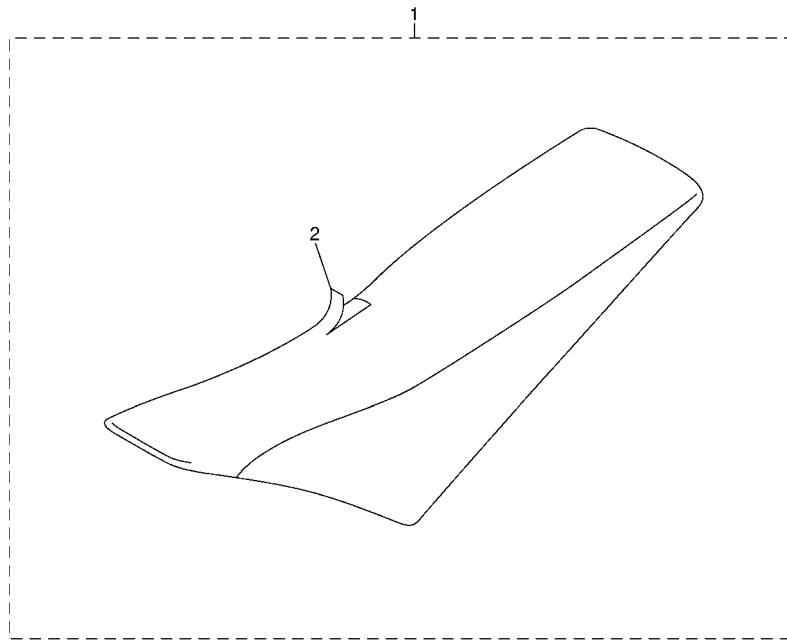


FIG. 27 FUEL TANK

REF. NO.	PART NO.	DESCRIPTION	34P1	34P2	34P3	34P4	REMARKS
28	90467-100A1	CLIP	2	2	2	2	
29	90202-05193	WASHER, PLATE	2	2	2	2	
30	90149-06108	SCREW	2	2	2	2	
31	5XC-24182-90	DAMPER, LOCATING 2	1	1	1	1	
32	5XC-24183-90	DAMPER, LOCATING 3	2	2	2	2	
33	90465-13275	CLAMP	3	3	3	3	

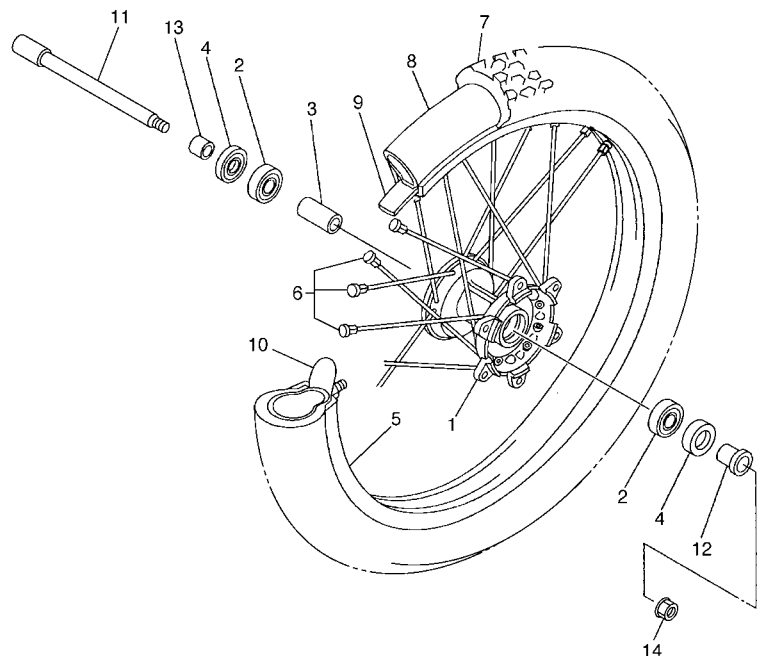
**FIG. 28 SEAT**



REF. NO.	PART NO.	DESCRIPTION	34P1	34P2	34P3	34P4	REMARKS
1	34P-24710-00	SINGLE SEAT ASSY	1		1	1	UR FOR DPBSE
	34P-24710-20	SINGLE SEAT ASSY	1			1	UR FOR PWS1
	34P-24710-10	SINGLE SEAT ASSY		1			UR FOR DPBSE
	34P-24710-30	SINGLE SEAT ASSY		1			UR FOR PWS1
2	34P-2470F-00	.SEAT COVER COMP.	1		1	1	UR FOR DPBSE
	34P-2470F-20	.SEAT COVER COMP.	1			1	UR FOR PWS1
	34P-2470F-10	.SEAT COVER COMP.		1			UR FOR DPBSE
	34P-2470F-30	.SEAT COVER COMP.		1			UR FOR PWS1

  
5XC9100-E270

**FIG. 29 FRONT WHEEL**

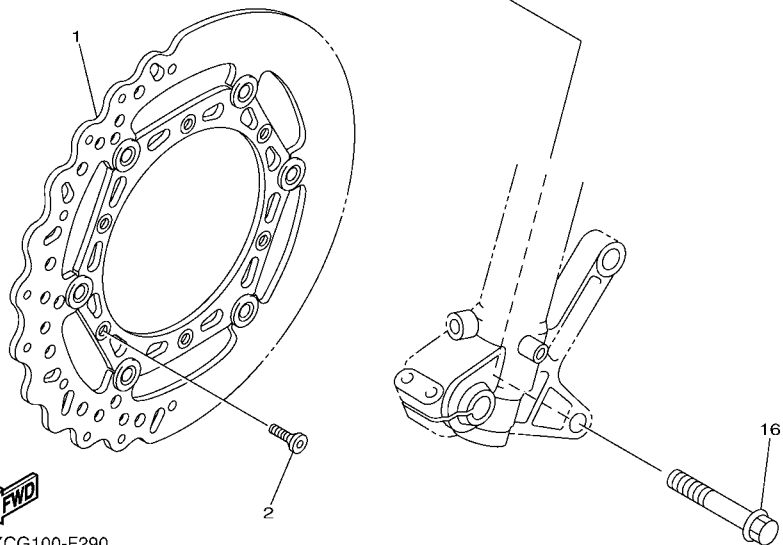
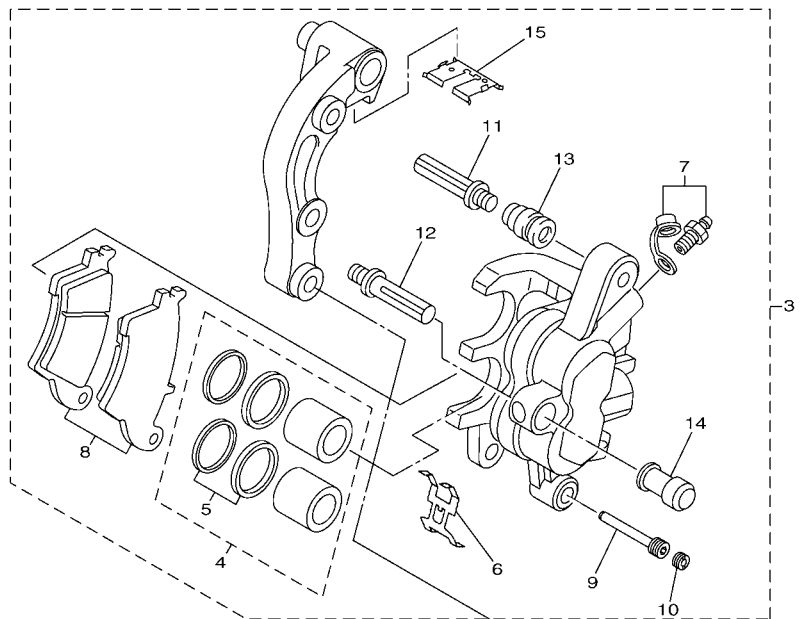


REF. NO.	PART NO.	DESCRIPTION	34P1	34P2	34P3	34P4	REMARKS
1	5NY-25111-00	HUB, FRONT	1	1	1	1	
2	93306-90409	BEARING	2	2	2	2	
3	5NY-25117-00	SPACER, BEARING	1	1	1	1	
4	93102-26468	OIL SEAL	2	2	2	2	
5	94416-21034	RIM (1.60-21)	1	1	1	1	UR FOR DPBSE
	94416-21041	RIM (1.60-21)	1	1		1	UR FOR PWS1
6	5NY-25104-00	SPOKE SET, FRONT	1	1	1	1	
7	94108-21025	TIRE (80/100-21 51M D742FA)	1			1	DUNLOP
	*	TIRE (80/100-21 51R MST)		1			LM PIRELLI
	*	TIRE(80/100-21 51M M601)			1		LM BRIDGESTONE
8	94227-21101	TUBE (80/100-21 M/C TR4)	1			1	DUNLOP
	*	TUBE (80/100-21)		1			LM PIRELLI
	*	TUBE (80/100-21 M/C TR4)			1		LM BRIDGESTONE
9	94309-21161	BAND, RIM (22-21)	1			1	DUNLOP
	*	BAND, RIM (80/100-21)		1			LM PIRELLI
	*	BAND,RIM (1.60-21)			1		LM BRIDGESTONE
10	5SF-25394-00	SPACER, BEAD	1	1	1	1	
11	5XC-25181-G0	AXLE, WHEEL	1	1	1	1	
12	5XC-25183-G0	COLLAR, WHEEL	1	1	1	1	
13	5XC-25186-G0	COLLAR, WHEEL	1	1	1	1	
14	90179-16011	NUT	1	1	1	1	



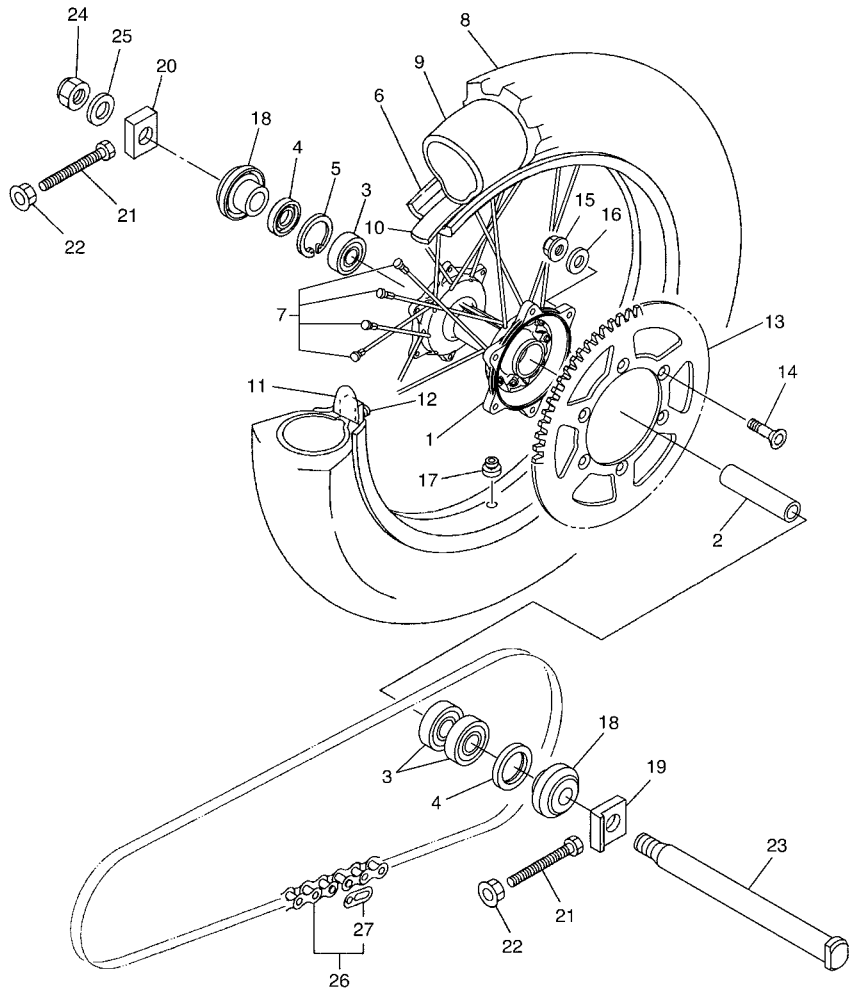
5XD5100-D280

**FIG. 30 FRONT BRAKE CALIPER**



5XCG100-F290

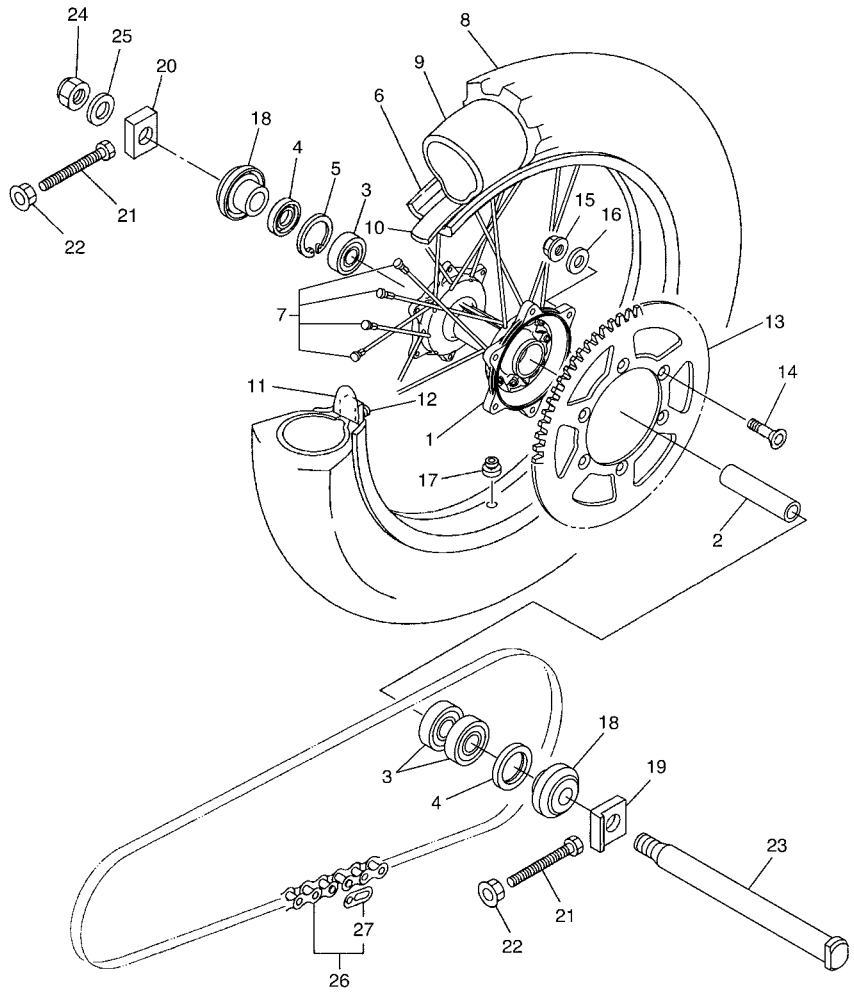
REF. NO.	PART NO.	DESCRIPTION	34P1	34P2	34P3	34P4	REMARKS
1	5XC-2581T-G0	DISK BRAKE ASSY	1	1	1	1	
2	90151-06051	SCREW, COUNTERSUNK	6	6	6	6	
3	5XC-2580T-G0	CALIPER ASSY (LEFT)	1	1	1	1	
4	5XC-W0057-00	.PISTON ASSY, CALIPER	1	1	1	1	
5	5KM-W0047-10	..CALIPER SEAL KIT	1	1	1	1	
6	5DH-25919-00	..SUPPORT, PAD	1	1	1	1	
7	1UY-W0048-50	.BLEED SCREW KIT	1	1	1	1	
8	5XC-W0045-00	.BRAKE PAD KIT	1	1	1	1	
9	5DH-25933-00	.PIN, PAD	1	1	1	1	
10	5DH-25916-00	.PLUG	1	1	1	1	
11	3SP-25926-51	.BOLT	1	1	1	1	
12	3SP-25914-51	.PIN, SLIDE	1	1	1	1	
13	3JD-25917-00	.BOOT, CALIPER	1	1	1	1	
14	1UY-25937-51	.BOOT 2	1	1	1	1	
15	5XC-25849-G0	.RETAINER, CALIPER	1	1	1	1	
16	90105-08137	BOLT, FLANGE	2	2	2	2	



34P1100-H310

FIG. 31 REAR WHEEL

REF. NO.	PART NO.	DESCRIPTION	34P1	34P2	34P3	34P4	REMARKS
1	17D-25311-00	HUB, REAR	1	1	1	1	
2	17D-25317-00	SPACER, BEARING	1	1	1	1	
3	93306-90510	BEARING	3	3	3	3	
4	93102-32337	OIL SEAL	2	2	2	2	
5	99009-42700	CIRCLIP	1	1	1	1	
6	94421-19007	RIM (2.15-19)	1	1	1	1	UR FOR DPBSE
	94421-19008	RIM (2.15-19)	1	1		1	UR FOR PWS1
7	34P-25304-00	SPOKE SET, REAR	1	1	1	1	
8	94112-19008	TIRE (120/80-19 63M D756)	1			1	DUNLOP
*		TIRE (110/90-19 62M NHS)			1		LM PIRELLI
*		TIRE (110/90-19 62M M602)				1	LM BRIDGESTONE
9	94211-19273	TUBE (110/90-19 M/C TR4)	1			1	DUNLOP
*		TUBE (110/90-19)			1		LM PIRELLI
*		TUBE (110/90-19 M/C TR4)				1	LM BRIDGESTONE
10	94311-19155	BAND, RIM (2.5-19)	1			1	DUNLOP
*		BAND, RIM (3.50-18)			1		LM METZELER
*		BAND, RIM (2.15-19)				1	LM BRIDGESTONE
11	3JE-25394-00	SPACER, BEAD	1	1	1	1	
12	4XM-25364-00	DAMPER	1	1	1	1	
13	1C3-25449-00	SPROCKET, DRIVEN (49T)	1	1	1	1	STD
	1C3-25447-00	SPROCKET, DRIVEN (47T)	1	1	1	1	AP
	1C3-25448-00	SPROCKET, DRIVEN (48T)	1	1	1	1	AP
	1C3-25450-00	SPROCKET, DRIVEN (50T)	1	1	1	1	AP
	1C3-25451-00	SPROCKET, DRIVEN (51T)	1	1	1	1	AP
	1C3-25452-00	SPROCKET, DRIVEN (52T)	1	1	1	1	AP
14	90109-08078	BOLT	6	6	6	6	
15	90185-08008	NUT, SELF-LOCKING	6	6	6	6	



**FIG. 31 REAR WHEEL**

REF. NO.	PART NO.	DESCRIPTION	34P1	34P2	34P3	34P4	REMARKS
16	90201-08048	WASHER, PLATE	6	6	6	6	
17	90480-08608	GROMMET	1	1	1	1	
18	17D-2530S-00	COLLAR ASSY	2	2	2	2	
19	17D-25388-00	PULLER, CHAIN 1	1	1	1	1	
20	17D-25389-00	PULLER, CHAIN 2	1	1	1	1	
21	90101-08006	BOLT	2	2	2	2	
22	90179-08019	NUT	2	2	2	2	
23	17D-25381-00	AXLE, WHEEL	1	1	1	1	
24	90185-22009	NUT, SELF-LOCKING	1	1	1	1	
25	90201-22021	WASHER, PLATE	1	1	1	1	
26	9Y582-28113	CHAIN (DID520DMA2-114LL)	1	1	1	1	
27	94682-28001	.JOINT, CHAIN (DID520DM G&B-RJ)	1	1	1	1	

  
34P1100-H310

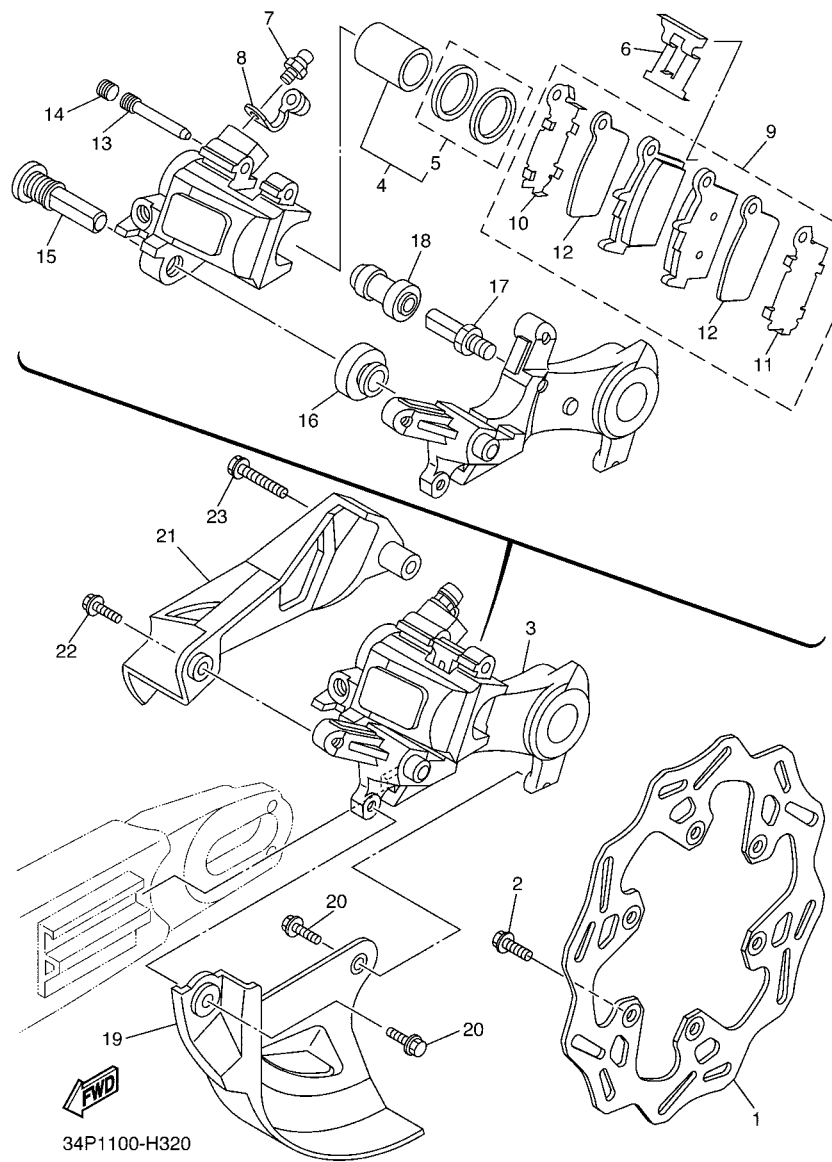
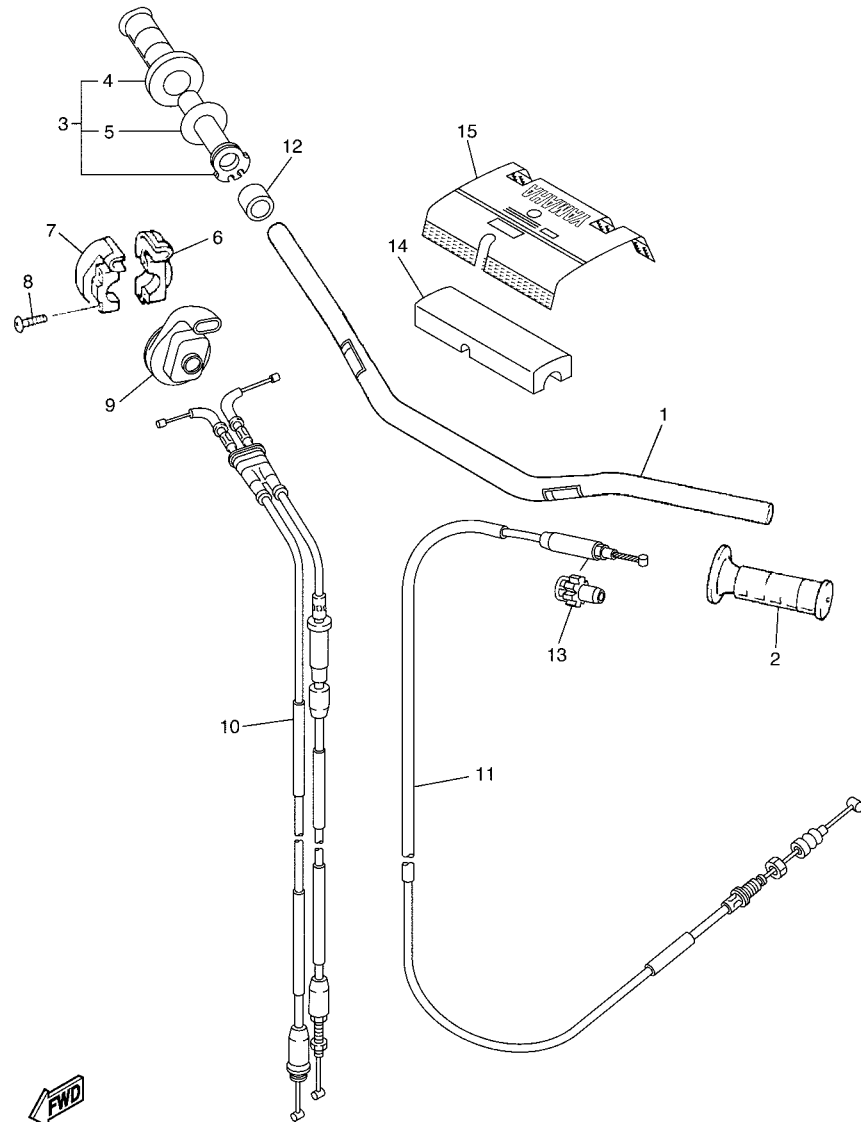


FIG. 32 REAR BRAKE CALIPER

REF. NO.	PART NO.	DESCRIPTION	34P1	34P2	34P3	34P4	REMARKS
1	2S2-2582W-70	DISK, REAR BRAKE 2	1	1	1	1	
2	90105-06156	BOLT, FLANGE	6	6	6	6	
3	17D-2580W-01	CALIPER ASSY, REAR 2	1		1	1	
	17D-2580W-11	CALIPER ASSY, REAR 2		1			
4	5UN-W0057-50	.PISTON ASSY, CALIPER	1	1	1	1	
5	5UN-W0047-50	..CALIPER SEAL KIT	1	1	1	1	
6	5DH-25919-50	.SUPPORT, PAD	1	1	1	1	
7	1UY-25824-51	.SCREW, BLEED	1	1	1	1	
8	1UY-25825-51	.CAP	1	1	1	1	
9	1C3-W0046-50	.BRAKE PAD KIT 2	1		1	1	
	1C3-W0046-B0	.BRAKE PAD KIT 2		1			
10	5UN-25828-60	..SHIM, CALIPER	1	1	1	1	
11	5UN-25827-60	..SHIM, CALIPER	1	1	1	1	
12	5UN-22898-60	..INSULATOR, HEAT	2	2	2	2	
13	8CR-25924-00	.PIN, PAD	1	1	1	1	
14	5DH-25916-00	.PLUG	1	1	1	1	
15	5DH-25914-50	.PIN, SLIDE	1	1	1	1	
16	3JD-25917-00	.BOOT, CALIPER	1	1	1	1	
17	5UN-25914-00	.PIN, SLIDE	1	1	1	1	
18	1UY-25937-51	.BOOT 2	1	1	1	1	
19	1C3-25718-50	PROTECTOR, DISK BRAKE	1	1	1	1	
20	90105-06110	BOLT, FLANGE	2	2	2	2	
21	1C3-27491-50	PROTECTOR	1	1	1	1	
22	90105-06107	BOLT, FLANGE	1	1	1	1	
23	90105-06111	BOLT, FLANGE	1	1	1	1	

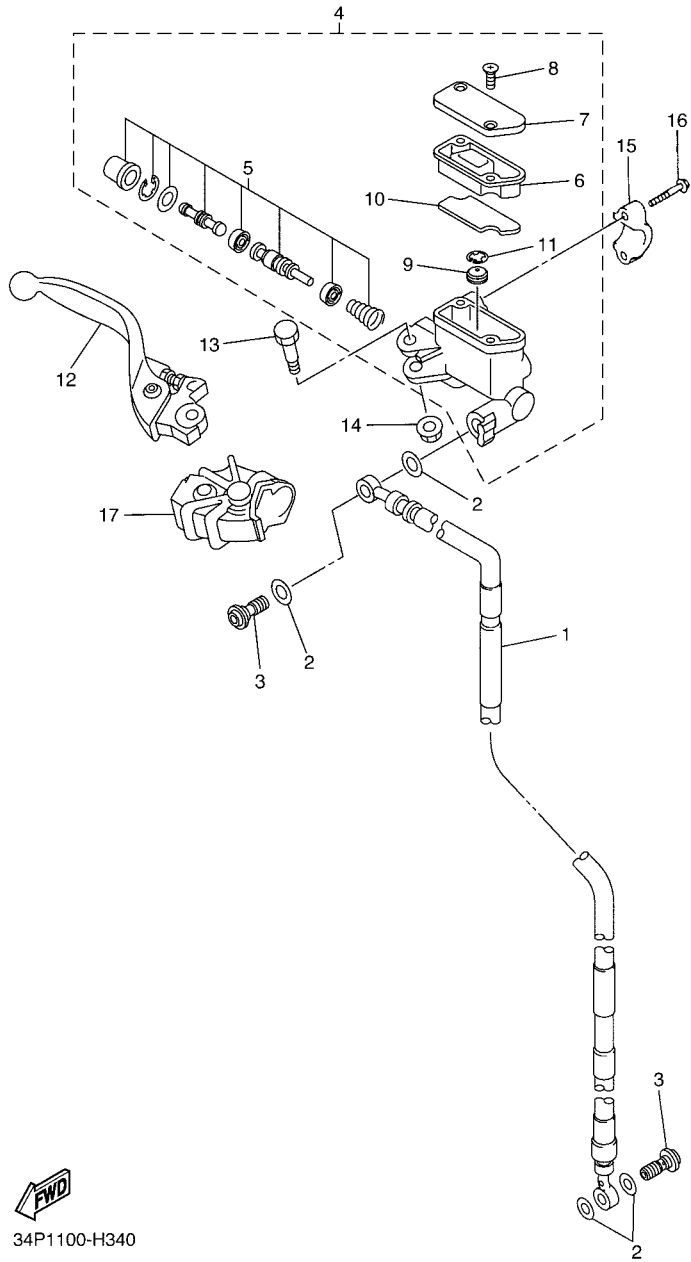


34P1100-H330

FIG. 33 STEERING HANDLE & CABLE

REF. NO.	PART NO.	DESCRIPTION	34P1	34P2	34P3	34P4	REMARKS
1	5XC-26111-L0	HANDLEBAR	1	1	1	1	
2	4GY-26241-00	GRIP	1	1	1	1	
3	5TJ-26240-C0	GRIP ASSY	1	1	1	1	
4	4GY-26242-00	.GRIP (RIGHT)	1	1	1	1	
5	3Y1-26249-00	.RING, LEAF	1	1	1	1	
6	5BE-26281-00	CAP, GRIP UPPER	1	1	1	1	
7	5BE-26282-00	CAP, GRIP UNDER	1	1	1	1	
8	98502-05020	SCREW, PAN HEAD	2	2	2	2	
9	5SF-26287-10	COVER, CAP GRIP	1	1	1	1	
10	34P-26302-00	THROTTLE CABLE ASSY	1	1	1	1	
11	34P-26335-00	CABLE, CLUTCH	1	1	1	1	
12	90387-225N2	COLLAR	1	1	1	1	
13	34P-26342-00	BOOT, CABLE	1	1	1	1	
14	17D-26124-00	PROTECTOR, HANDLEBAR	1	1	1	1	
15	5XC-26143-L0	COVER, HANDLEBAR UPPER 1	1	1	1	1	UR FOR DPBSE
	5XC-26143-M0	COVER, HANDLEBAR UPPER 1	1	1		1	UR FOR PWS1



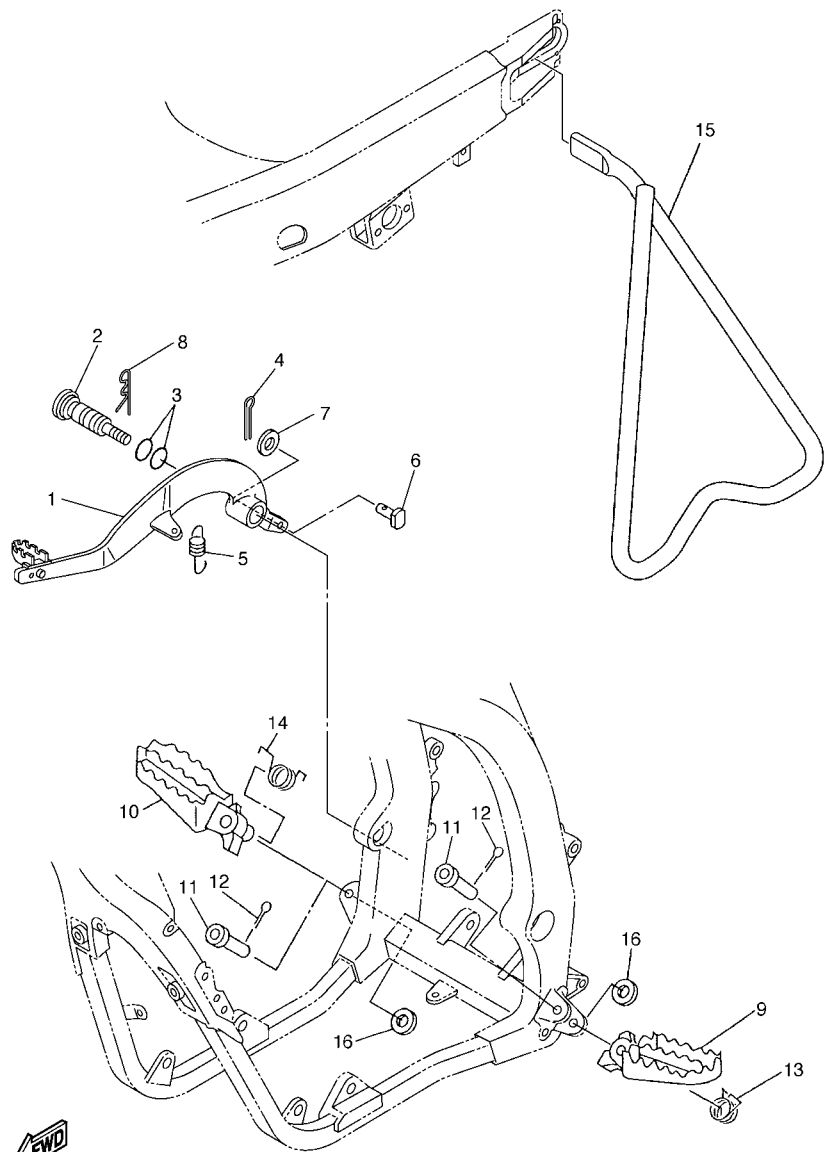


34P1100-H340

FIG. 34 FRONT MASTER CYLINDER

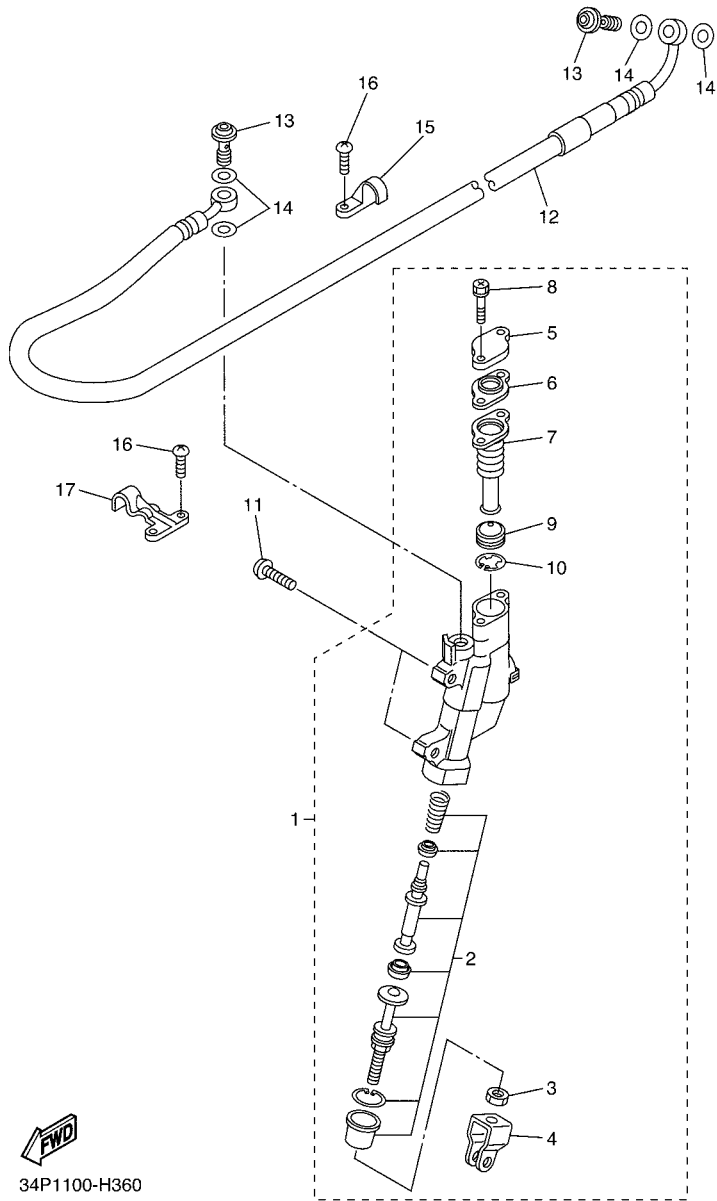
REF. NO.	PART NO.	DESCRIPTION	34P1	34P2	34P3	34P4	REMARKS
1	5XC-25872-L0	HOSE, BRAKE 1	1	1	1	1	
2	90430-10005	GASKET	4	4	4	4	
3	90401-10172	BOLT, UNION	2	2	2	2	
4	5XC-W2587-00	MASTER CYLINDER SUB ASSY	1	1	1	1	
5	5XC-W0041-00	.CYLINDER KIT, MASTER	1	1	1	1	
6	5XC-25854-G0	.GASKET, DIAPHRAGM	1	1	1	1	
7	5XC-25852-G0	.CAP, RESERVOIR	1	1	1	1	
8	98706-04012	.SCREW, FLAT HEAD	2	2	2	2	
9	5CG-25715-00	.SEPARATOR ASSY	1	1	1	1	
10	5XC-25853-G0	.FLOAT, RESERVOIR	1	1	1	1	
11	5CG-2585G-00	.CIRCLIP	1	1	1	1	
12	5XC-83922-L0	LEVER 2	1	1	1	1	
13	5MV-2589F-00	BOLT, LEVER	1	1	1	1	
14	95701-06500	NUT, WITH WASHER	1	1	1	1	
15	5MV-25867-00	BRACKET, MASTER CYLINDER	1	1	1	1	
16	5MV-25833-00	BOLT, FITTING	2	2	2	2	
17	5XC-26372-G0	COVER, HANDLE LEVER 1	1	1	1	1	

FIG. 35 STAND & FOOTREST



2S21100-E340

REF. NO.	PART NO.	DESCRIPTION	34P1	34P2	34P3	34P4	REMARKS
1	2S2-27200-10	PEDAL, BRAKE	1	1	1	1	
2	1C3-27217-10	BOLT	1	1	1	1	
3	93210-11073	O-RING	2	2	2	2	
4	91402-20012	PIN, COTTER	1	1	1	1	
5	90506-16007	SPRING, TENSION	1	1	1	1	
6	90240-08120	PIN, CLEVIS	1	1	1	1	
7	90201-08044	WASHER, PLATE	1	1	1	1	
8	90468-16001	CLIP	1	1	1	1	
9	5XC-27411-M1	FOOTREST 1	1	1	1	1	
10	5XC-27421-M1	FOOTREST 2	1	1	1	1	
11	90240-10004	PIN, CLEVIS	2	2	2	2	
12	91402-25015	PIN, COTTER	2	2	2	2	
13	90508-28015	SPRING, TORSION	1	1	1	1	
14	90508-28018	SPRING, TORSION	1	1	1	1	
15	34P-27311-00	STAND, SIDE	1	1	1	1	
16	90201-10032	WASHER, PLATE	2	2	2	2	



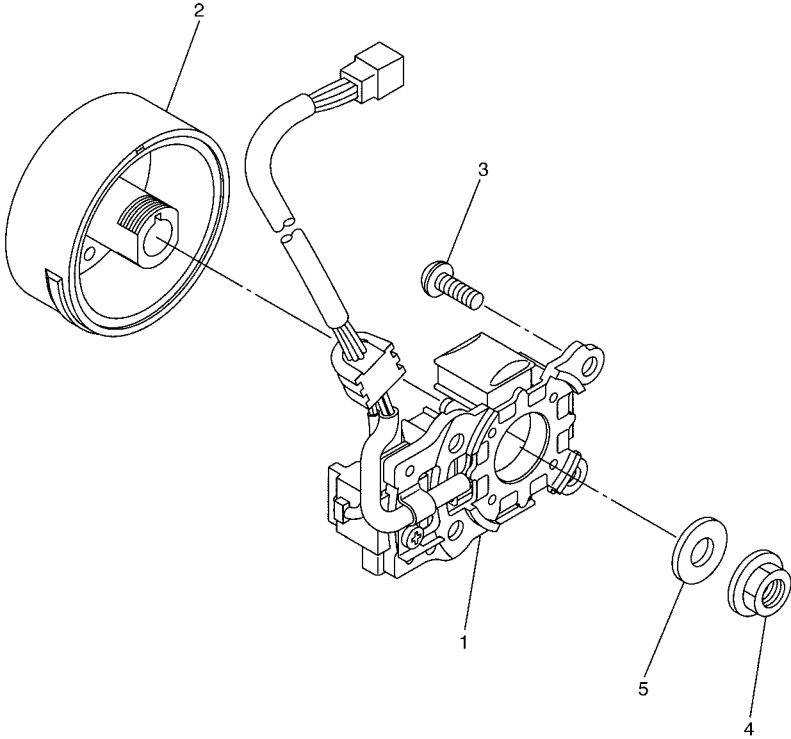
34P1100-H360

FIG. 36 REAR MASTER CYLINDER

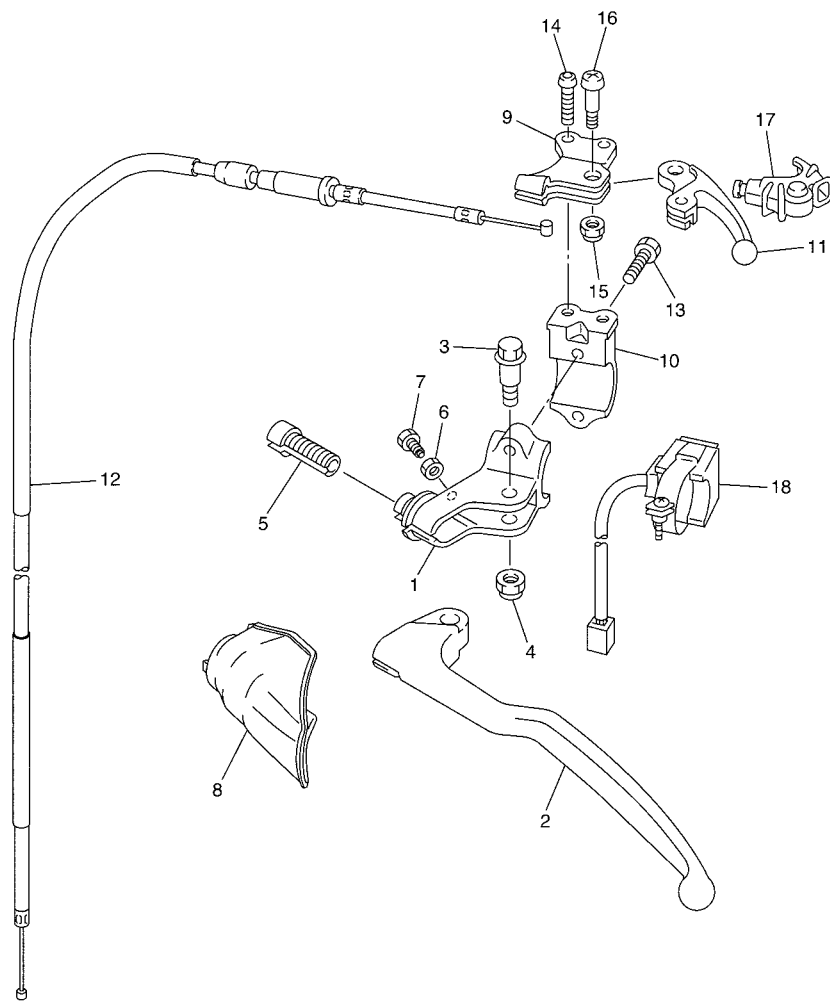
REF. NO.	PART NO.	DESCRIPTION					REMARKS
			34P1	34P2	34P3	34P4	
1	17D-2583V-00	RR. MASTER CYLINDER ASSY.	1	1	1	1	
2	5UN-W0042-50	.CYLINDER KIT, MASTER	1	1	1	1	
3	5UN-27218-00	.NUT	1	1	1	1	
4	5UN-27222-00	.JOINT	1	1	1	1	
5	5UN-25852-50	.CAP, RESERVOIR	1	1	1	1	
6	5UN-2585B-00	.PLATE, DIAPHRAGM	1	1	1	1	
7	5UN-25854-00	.GASKET, DIAPHRAGM	1	1	1	1	
8	5UN-27217-00	.BOLT	2	2	2	2	
9	5CG-25715-00	.SEPARATOR ASSY	1	1	1	1	
10	5CG-2585G-00	.CIRCLIP	1	1	1	1	
11	90111-06116	BOLT,HEX. SOCKET BUTTON	2	2	2	2	
12	5XC-25873-L0	HOSE, BRAKE 2	1	1	1	1	
13	90401-10172	BOLT, UNION	2	2	2	2	
14	90430-10005	GASKET	4	4	4	4	
15	1C3-25886-50	HOLDER, BRAKE HOSE	1	1	1	1	
16	98502-05010	SCREW, PAN HEAD	4	4	4	4	
17	1C3-25876-50	HOLDER, BRAKE HOSE 2	1	1	1	1	

FIG. 37 GENERATOR

REF. NO.	PART NO.	DESCRIPTION	34P1	34P2	34P3	34P4	REMARKS
1	2S2-85560-10	BASE ASSY	1	1	1	1	
2	2S2-85550-10	ROTOR ASSY	1	1	1	1	
3	90149-06081	SCREW	4	4	4	4	
4	90179-12657	NUT	1	1	1	1	
5	90201-127E1	WASHER, PLATE	1	1	1	1	
-----							
-----							
-----							
-----							
-----							
-----							
-----							
-----							
-----							
-----							



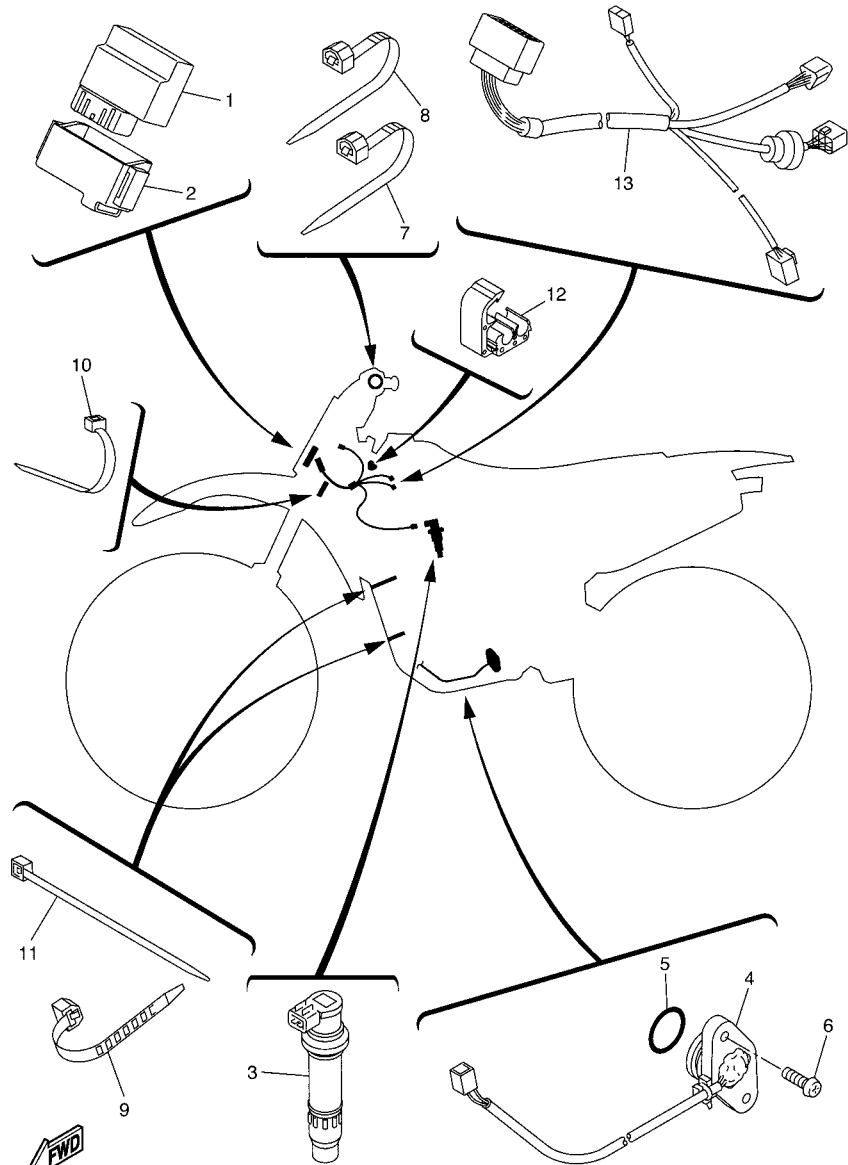
34P1100-H370



34P1100-H380

FIG. 38 HANDLE SWITCH & LEVER

REF. NO.	PART NO.	DESCRIPTION	34P1	34P2	34P3	34P4	REMARKS
1	17D-82911-00	HOLDER, LEVER 1	1	1	1	1	
2	17D-83912-00	LEVER 1	1	1	1	1	
3	90109-06034	BOLT	1	1	1	1	
4	5LP-84126-10	NUT, LENS FITTING	1	1	1	1	
5	17D-26337-00	BOLT, ADJUSTING	1	1	1	1	
6	95302-05700	NUT	1	1	1	1	
7	90101-05005	BOLT	1	1	1	1	
8	34P-26372-00	COVER, HANDLE LEVER 1	1	1	1	1	
9	5XD-82946-00	HOLDER, STARTER LEVER	1	1	1	1	
10	17D-82913-00	HOLDER, LEVER LOWER 1	1	1	1	1	
11	5TA-83941-00	LEVER, STARTER	1	1	1	1	
12	34P-26334-00	CABLE, STARTER 2	1	1	1	1	
13	95022-06020	BOLT, FLANGE	2	2	2	2	
14	92012-05012	BOLT, BUTTON HEAD	2	2	2	2	
15	95602-05100	NUT, U	1	1	1	1	
16	90149-05162	SCREW	1	1	1	1	
17	5TA-26339-00	BOOT	1	1	1	1	
18	1C3-83976-00	SWITCH, HANDLE 1	1	1	1	1	



34P1100-H390

FIG. 39 ELECTRICAL 1

REF. NO.	PART NO.	DESCRIPTION	34P1	34P2	34P3	34P4	REMARKS
1	34P-85540-00	C.D.I. UNIT ASSY	1				
	34P-85540-10	C.D.I. UNIT ASSY		1	1	1	
2	1C3-85546-00	BAND	1	1	1	1	
3	5TA-82310-10	IGNITION COIL ASSY	1	1	1	1	
4	2S2-82540-00	NEUTRAL SWITCH ASSY	1	1	1	1	
5	93210-21001	O-RING	1	1	1	1	
6	90154-05022	SCREW, BINDING	2	2	2	2	
7	90464-13077	CLAMP	1	1	1	1	
8	90464-13073	CLAMP	1	1	1	1	
9	90464-15195	CLAMP	2	2	2	2	
10	5Y9-12491-00	CLAMP 1	1	1	1	1	
11	90465-13275	CLAMP	4	4	4	4	
12	90464-06004	CLAMP	1	1	1	1	
13	2S2-82509-01	WIRE, SUB LEAD	1	1	1	1	

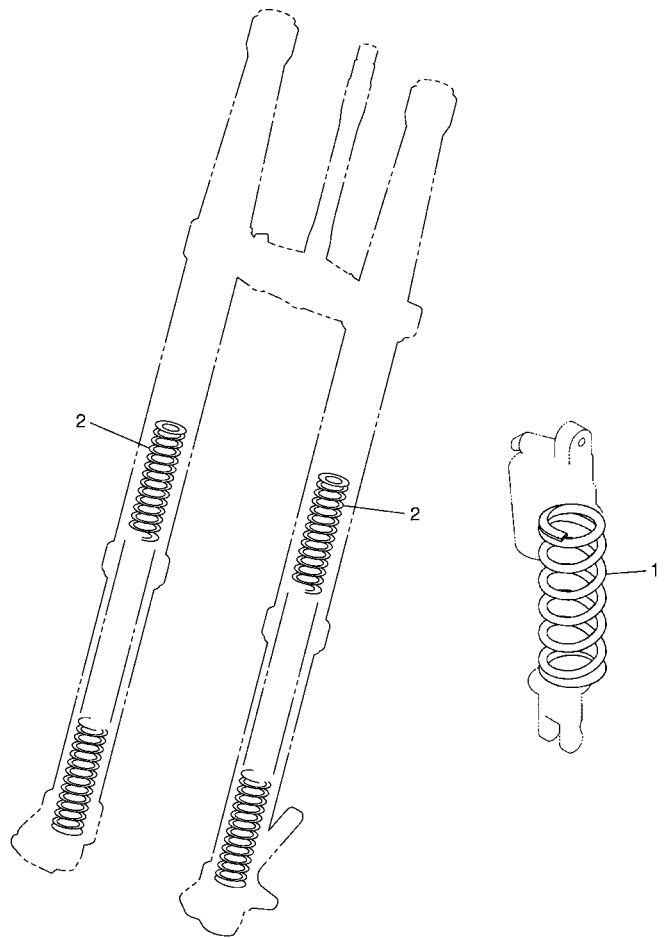


FIG. 40 ALTERNATE FOR CHASSIS

REF. NO.	PART NO.	DESCRIPTION	34P1	34P2	34P3	34P4	REMARKS
1	1C3-22212-00	SPRING (K=44N/MM)	1	1	1	1	AP
	1C3-22212-10	SPRING (K=46N/MM)	1	1	1	1	AP
	1C3-22212-20	SPRING (K=48N/MM)	1	1	1	1	AP
	1C3-22212-30	SPRING (K=50N/MM)	1	1	1	1	AP
	1C3-22212-40	SPRING (K=52N/MM)	1	1	1	1	AP
	1C3-22212-60	SPRING (K=55.8N/MM)	1	1	1	1	AP
	5UN-22212-00	SPRING (K=42N/MM)	1	1	1	1	AP
	5UN-22212-A0	SPRING (K=APPROX.44N/MM)	1	1	1	1	AP
	5UN-22212-B0	SPRING (K=APPROX.46N/MM)	1	1	1	1	AP
	5UN-22212-C0	SPRING (K=APPROX.48N/MM)	1	1	1	1	AP
	5UN-22212-D0	SPRING (K=APPROX.50N/MM)	1	1	1	1	AP
	5UN-22212-E0	SPRING (K=APPROX.52N/MM)	1	1	1	1	AP
	5UN-22212-F0	SPRING (K=APPROX.54N/MM)	1	1	1	1	AP
	5UN-22212-G0	SPRING (K=APPROX.56N/MM)	1	1	1	1	AP
2	1C3-23141-A1	SPRING, FRONT FORK(K=3.9N/MM)	2	2	2	2	AP
	1C3-23141-B1	SPRING, FRONT FORK(K=4.0N/MM)	2	2	2	2	AP
	1C3-23141-C1	SPRING, FRONT FORK(K=4.1N/MM)	2	2	2	2	AP
	1C3-23141-D1	SPRING, FRONT FORK(K=4.2N/MM)	2	2	2	2	AP
	1C3-23141-E1	SPRING, FRONT FORK(K=4.3N/MM)	2	2	2	2	AP
	1C3-23141-F1	SPRING, FRONT FORK(K=4.4N/MM)	2	2	2	2	AP
	1C3-23141-G1	SPRING, FRONT FORK(K=4.5N/MM)	2	2	2	2	AP
	1C3-23141-J1	SPRING, FRONT FORK(K=4.7N/MM)	2	2	2	2	AP

 5XC9100-E390

NUMERICAL INDEX

PART NO.	REF. NO.	PART NO.	REF. NO.	PART NO.	REF. NO.	PART NO.	REF. NO.	PART NO.	REF. NO.	PART NO.	REF. NO.
2S2-11102-10	1 - 1	3LD-12168-U1	3 - 13	2S2-14101-B0	10 - 1	3TJ-14564-40	10 - 43	4MX-14943-38	10 - 18	5TA-15415-20	14 - 23
5TA-11133-10	1 - 2	3LD-12168-W1	3 - 13	5NL-14105-00	10 - 23	5JG-14565-00	10 - 59	4MX-14943-39	10 - 18	2S2-15421-10	13 - 8
5TA-11134-10	1 - 3	3LD-12168-Y1	3 - 13	4MX-14115-00	10 - 51	5JG-14591-00	10 - 61	4MX-14943-40	10 - 18	2S2-15431-00	14 - 14
2S2-11166-00	1 - 20	3LD-12169-11	3 - 13	3TJ-14137-40	9 - 8	688-14592-00	10 - 4	4MX-14943-41	10 - 18	2S2-15441-00	1 - 27
371-11167-01	1 - 19	3LD-12169-31	3 - 13		10 - 52	2S2-14611-10	12 - 1	4MX-14943-87	10 - 18	2S2-15451-00	14 - 9
2S2-11181-00	1 - 13	3LD-12169-50	3 - 13	5BE-14146-00	10 - 53	2S2-14611-30	11 - 1	4MX-14943-88	10 - 18	5TA-15453-00	14 - 24
2S2-11190-20	1 - 16	3LD-12169-70	3 - 13	5PA-14146-00	10 - 62	3VD-14613-01	11 - 6	4MX-14943-89	10 - 18	2S2-15462-10	14 - 19
2S2-11193-00	1 - 22	3LD-12169-90	3 - 13	5TA-14155-00	10 - 40		12 - 5	4MX-14943-90	10 - 18	2S2-15601-00	15 - 1
5UM-1119E-00	1 - 18	3LD-12169-E0	3 - 13	633-14159-00	10 - 27	2S2-14628-00	12 - 2	4MX-14943-91	10 - 18	2S2-15620-01	15 - 18
2S2-11311-10	1 - 23	3LD-12169-G0	3 - 13	3TJ-14159-40	10 - 13	5TA-14628-00	11 - 2	4MX-14943-92	10 - 18	5XD-15621-00	15 - 19
2S2-11351-00	1 - 24	3LD-12169-J0	3 - 13	5XC-14171-00	10 - 35	34P-1466G-00	11 - 9	5XD-14947-00	10 - 17	5TA-15651-00	15 - 15
2S2-11400-00	2 - 1	3LD-12169-L0	3 - 13	3TJ-14191-40	10 - 29	34P-1466G-10	12 - 8	4MX-14948-02	10 - 19	5GR-15664-00	15 - 8
2S2-11412-00	2 - 2	3LD-12169-N0	3 - 13	5UL-14196-00	10 - 55	2S2-1469A-10	12 - 10	4MX-14948-03	10 - 19	5SG-15668-00	15 - 11
2S2-11422-00	2 - 3	3LD-12169-T0	3 - 13	5TA-14197-00	10 - 56	2S2-1469E-00	12 - 11	4MX-14948-04	10 - 19	2S2-15671-00	15 - 4
2S2-11454-10	2 - 14	2S2-12170-00	4 - 1	5NX-14216-00	10 - 49	2S2-1469F-00	12 - 12	4MX-14948-05	10 - 19	214-15686-00	15 - 12
2S2-11455-00	2 - 9	2S2-12180-00	4 - 2	5TA-14227-00	9 - 5	2S2-1469F-B0	11 - 12	4MX-14948-06	10 - 19	2S2-16111-60	16 - 1
2S2-11464-10	2 - 16	5TA-12210-10	4 - 5	5TA-14239-00	9 - 6	2S2-14714-00	12 - 13	4MX-14948-07	10 - 19	5XD-16150-60	16 - 4
2S2-11531-00	2 - 11	4FM-12213-00	4 - 6	5TA-14261-00	10 - 54	5VY-14714-00	11 - 13	4MX-14948-08	10 - 19	5XD-16154-00	16 - 11
2S2-11536-00	2 - 8	5BE-12241-00	1 - 17	5JG-14264-00	10 - 16	5BE-14747-00	11 - 14	4JT-1494F-05	10 - 21	5TA-16321-00	16 - 8
5JG-11603-00	2 - 22	2S2-12251-00	4 - 9	3TJ-14267-40	10 - 9		12 - 14	4JT-1494F-07	10 - 21	4X7-16325-00	16 - 7
2S2-11631-20	2 - 21	5TA-12252-00	4 - 10	5JG-14275-00	10 - 15	34P-14750-00	11 - 8	4JT-1494F-09	10 - 21	2S2-16351-00	16 - 6
5TA-11633-00	2 - 23	2S2-1240A-70	6 - 1	5TA-14293-00	9 - 4	34P-14750-10	12 - 7	4JT-1494F-11	10 - 21	5JG-16356-00	16 - 14
2S2-11651-00	2 - 6	5BE-12422-20	5 - 7	3TJ-14293-40	10 - 30	4BD-14766-00	11 - 3	4JT-1494F-13	10 - 21	2S2-16357-00	16 - 19
5TG-11681-00	2 - 4	5BE-12439-00	5 - 8	5XD-14325-00	10 - 63	2S2-14788-00	11 - 16	3TJ-1494F-14	10 - 20	5TA-16371-10	16 - 5
5TA-12111-00	3 - 1	5DJ-12451-00	5 - 2	5TA-14335-00	10 - 37		12 - 16	3TJ-1494F-15	10 - 20	2S2-16380-10	16 - 20
5TA-12112-00	3 - 2	5GR-12458-00	5 - 1	5JG-14346-00	10 - 58	2S2-1478H-B0	11 - 11	3TJ-1494F-16	10 - 20	2S2-17121-00	17 - 9
5TA-12113-00	3 - 5	2S2-12461-70	6 - 5	5TA-14371-00	10 - 36	5TA-14916-L1	10 - 12	3TJ-1494F-17	10 - 20	2S2-17131-00	17 - 6
5TA-12114-00	3 - 6	22W-12462-00	6 - 9	2S2-14374-00	10 - 39	5TA-14916-LN	10 - 12	3TJ-1494F-18	10 - 20	2S2-17141-00	17 - 7
4GY-12117-00	3 - 8	2S2-12464-70	6 - 2	5JG-14379-00	10 - 42	5TA-14916-LP	10 - 12	5JG-14951-00	10 - 6	2S2-17151-00	17 - 3
5BE-12117-00	3 - 7		6 - 6	2S2-14388-00	10 - 8	5TA-14916-LR	10 - 12	5JG-14959-00	10 - 2	2S2-17211-00	17 - 14
1AA-12118-00	3 - 9	2S2-12481-00	6 - 12	4MX-14392-00	10 - 26	5TA-14916-LS	10 - 12	5JG-14984-00	10 - 28	2S2-17221-00	17 - 25
1WG-12118-00	3 - 10	1C3-12482-00	6 - 16	2S2-14401-70	9 - 11	5TA-14916-LT	10 - 12	4SR-14985-00	10 - 24	2S2-17231-00	17 - 20
33M-12119-00	3 - 11	2S2-12482-00	6 - 19	5XC-14417-90	9 - 16	5TA-14916-LU	10 - 12	5TA-14987-00	9 - 7	2S2-17241-00	17 - 23
4SV-12119-00	3 - 12	5Y9-12491-00	39 - 10	5NY-14442-00	9 - 15	5TA-14916-P1	10 - 12	5TJ-14987-00	10 - 57	2S2-17251-00	17 - 17
5TA-12121-00	3 - 3	5BE-12564-00	5 - 12	4XM-14451-00	9 - 19	5TA-14916-PN	10 - 12	5TA-14991-00	10 - 38	2S2-17402-00	17 - 13
3GM-12126-00	3 - 4	2S2-12576-00	6 - 15	34P-14453-00	9 - 12	5TA-14916-PP	10 - 12	4FN-14997-00	10 - 11	2S2-17411-00	17 - 2
3FV-12153-10	3 - 14	2S2-12578-00	6 - 17	5NY-14455-20	9 - 14	5TA-14916-PR	10 - 12	5TA-14997-00	10 - 41	2S2-17466-00	13 - 9
3LD-12168-00	3 - 13	2S2-12579-00	6 - 18	5BE-14458-00	9 - 22	5TA-14916-PS	10 - 12	2S2-15100-21	13 - 1	2S2-17471-00	17 - 34
3LD-12168-20	3 - 13	583-13113-00	14 - 29	5NY-14459-00	9 - 13	5TA-14916-PT	10 - 12	2S2-15155-10	13 - 2	2S2-18101-00	19 - 1
3LD-12168-40	3 - 13	2S2-13300-10	7 - 1	5JG-14521-00	10 - 14	5TA-14916-PU	10 - 12	3Y1-15363-00	14 - 6	2S2-18110-00	19 - 7
3LD-12168-60	3 - 13	5TA-13320-00	7 - 2	5JG-14522-00	10 - 7	5XC-14922-00	10 - 44	2S2-1536A-00	13 - 27	5MW-18122-01	19 - 2
3LD-12168-80	3 - 13	2S2-13341-00	7 - 9	5JG-14531-00	10 - 60	3TJ-14933-40	10 - 33	5XC-15373-00	13 - 3	2S2-18140-10	18 - 6
3LD-12168-A0	3 - 13	2S2-13342-00	7 - 7	3TJ-14536-40	10 - 32	5TA-14934-00	10 - 46		14 - 18	5TJ-18172-00	19 - 15
3LD-12168-F0	3 - 13	5BE-13411-00	7 - 13	5JG-14546-01	10 - 10	5JG-14940-16	10 - 31	2S2-15378-00	14 - 8	3XJ-18173-10	19 - 10
3LD-12168-H1	3 - 13	2S2-13412-00	7 - 12	676-14548-00	10 - 25	5JG-14940-17	10 - 31	4JT-15381-01	13 - 13	3XJ-18178-00	19 - 11
3LD-12168-K1	3 - 13	5D3-13440-00	8 - 1	4MX-14561-00	10 - 50	5JG-14940-18	10 - 31	5BE-15383-01	13 - 14	3XJ-18182-00	19 - 12
3LD-12168-M1	3 - 13	5BE-13447-20	8 - 2	6H4-14561-00	10 - 34	5TA-14943-27	10 - 22	2S2-15388-00	13 - 17	3XJ-18184-00	19 - 14
3LD-12168-R1	3 - 13	2S2-13597-00	9 - 1	5NX-14562-00	10 - 48	4MX-14943-37	10 - 18	2S2-15411-11	14 - 1	2S2-18185-00	19 - 17



NUMERICAL INDEX

PART NO.	REF. NO.	PART NO.	REF. NO.	PART NO.	REF. NO.	PART NO.	REF. NO.	PART NO.	REF. NO.	PART NO.	REF. NO.
34P-18501-00	18 - 10	2S2-2172A-70	22 - 12	5UN-22212-F0	40 - 1	1C3-23145-M0	26 - 7	4EW-2412F-00	27 - 19	1C3-25451-00	31 - 13
2S2-18502-00	18 - 11	2S2-2172A-80	22 - 16	5UN-22212-G0	40 - 1		26 - 31	5XE-24144-00	27 - 6	1C3-25452-00	31 - 13
34P-18503-00	18 - 12	2S2-21730-70	22 - 9	1C3-22213-L0	24 - 4	5XC-23146-10	26 - 6	3ME-2415E-01	21 - 23	5CG-25715-00	34 - 9
5NL-18541-00	18 - 1	5XC-21730-90	22 - 9	1C3-22214-50	24 - 18		26 - 30	3FB-2415E-02	21 - 5		36 - 9
278-18542-00	18 - 3	34P-2173L-00	22 - 10	5MV-22224-00	24 - 9	1AE-23147-00	26 - 17	3FB-2415E-12	21 - 6	1C3-25718-50	32 - 19
2S2-18562-00	13 - 18	5XC-2173L-30	22 - 10	4JX-22226-00	24 - 6		26 - 41	3FB-2415E-C1	21 - 5	5XC-2580T-G0	30 - 3
34P-21101-01	20 - 1	2S2-21740-70	22 - 13	3SP-22234-00	24 - 3	1C3-23147-L0	26 - 11	4SR-2416E-00	21 - 7	17D-2580W-01	32 - 3
2S2-21163-70	20 - 41	5XC-21740-90	22 - 13	5NY-22241-00	24 - 23		26 - 35	5XC-24181-90	27 - 21	17D-2580W-11	32 - 3
5XC-21164-90	20 - 42	34P-2174L-00	22 - 14	5XE-22242-00	24 - 20	5XC-2314F-00	26 - 24	5XC-24182-90	27 - 31	5XC-2581T-G0	30 - 1
5PA-2118K-00	21 - 18	5XC-2174L-30	22 - 14	1C3-22253-50	24 - 10		26 - 48	5XC-24183-90	27 - 32	1UY-25824-51	32 - 7
5PA-2118K-10	21 - 19	34P-22110-00	23 - 1	1C3-22253-L0	24 - 15	5XE-23153-L0	26 - 8	3JD-24186-00	27 - 11	1UY-25825-51	32 - 8
5PA-2118K-20	21 - 18	5XC-22121-91	23 - 28	4AA-22259-40	24 - 8		26 - 32	5XC-2419A-90	27 - 12	5UN-25827-60	32 - 11
5XC-21190-L0	20 - 5	34P-22122-00	23 - 29	4AA-22259-50	24 - 8	2HH-23158-L0	26 - 22	2S2-24311-00	27 - 27	5UN-25828-60	32 - 10
1C3-21244-10	20 - 30	2S2-22128-70	23 - 11	4AA-22259-60	24 - 8		26 - 46	5XC-24339-90	27 - 14	2S2-2582W-70	32 - 1
5XC-21274-90	20 - 39	1C3-22141-10	23 - 15	4EW-22474-00	24 - 12	5XC-2315H-00	26 - 52	3XJ-24380-00	27 - 4	5MV-25833-00	34 - 16
5XC-21288-90	20 - 44	34P-22151-00	23 - 8	3JE-22475-00	24 - 11	5XC-2315J-00	26 - 54	4JT-24500-10	27 - 22	17D-2583V-00	36 - 1
2S2-21417-00	20 - 31	5UN-22176-00	24 - 13	5NY-22475-00	24 - 16	34P-2316A-00	26 - 12	4X8-24512-00	27 - 25	5XC-25849-G0	30 - 15
2S2-21425-70	20 - 23	30X-22178-00	20 - 8	1C3-22565-00	24 - 19		26 - 36	3AC-24523-00	27 - 26	5UN-25852-50	36 - 5
2S2-21426-70	20 - 24	3JD-22178-20	20 - 13	5UN-22898-60	32 - 12	2S2-2316A-20	26 - 12	3AJ-24534-01	27 - 23	5XC-25852-G0	34 - 7
1C3-21447-10	20 - 2	17D-2217A-00	23 - 18	1C3-22969-90	23 - 9		26 - 36	5NY-24610-00	27 - 2	5XC-25853-G0	34 - 10
1C3-21448-10	20 - 3	17D-2217F-00	23 - 24	34P-23102-00	26 - 1	34P-23170-00	26 - 10	34P-2470F-00	28 - 2	5UN-25854-00	36 - 7
5XC-21456-90	20 - 34	4V4-22184-00	20 - 9	34P-23102-10	26 - 1		26 - 34	34P-2470F-10	28 - 2	5XC-25854-G0	34 - 6
2S2-21471-00	20 - 35	5MV-22184-00	24 - 14	34P-23103-00	26 - 25	2S2-23170-20	26 - 10	34P-2470F-20	28 - 2	5UN-2585B-00	36 - 6
2S2-2147E-00	20 - 37	2S2-22199-70	23 - 10	34P-23103-10	26 - 25		26 - 34	34P-2470F-30	28 - 2	5CG-2585G-00	34 - 11
1C3-21511-51	21 - 1	34P-22200-10	24 - 1	2S2-23110-00	26 - 27	5XE-23171-L0	26 - 4	34P-24710-00	28 - 1		36 - 10
2S2-21511-70	21 - 1	34P-22200-20	24 - 1	5XC-23111-00	26 - 21		26 - 28	34P-24710-10	28 - 1	5MV-25867-00	34 - 15
4LB-2151H-02	21 - 20	34P-22200-40	24 - 1		26 - 45	5DH-23183-00	24 - 7	34P-24710-20	28 - 1	5XC-25872-L0	34 - 1
3XJ-2151H-A1	21 - 20	34P-22200-60	24 - 1	276-23114-00	26 - 23	509-23184-L0	24 - 5	34P-24710-30	28 - 1	5XC-25873-L0	36 - 12
3XJ-2151H-B1	21 - 21	34P-22200-80	24 - 1		26 - 47	1C3-23188-L0	26 - 13	5NY-25104-00	29 - 6	1C3-25876-50	36 - 17
4XL-2153A-10	26 - 53	34P-22201-10	24 - 2	2S2-23120-00	26 - 3		26 - 37	5NY-25111-00	29 - 1	1C3-25886-50	36 - 15
	26 - 55	34P-22201-20	24 - 2	5XE-23125-L0	26 - 5	1C3-23188-N0	26 - 14	5NY-25117-00	29 - 3	5MV-2589F-00	34 - 13
4ES-2153E-01	21 - 4	34P-22201-40	24 - 2		26 - 29		26 - 38	5XC-25181-G0	29 - 11	5UN-25914-00	32 - 17
3WF-2153E-10	21 - 17	34P-22201-60	24 - 2	2S2-23136-00	26 - 2	1C3-23188-P0	26 - 15	5XC-25183-G0	29 - 12	5DH-25914-50	32 - 15
4ES-2153E-20	21 - 4	34P-22201-80	24 - 2		26 - 26		26 - 39	5XC-25186-G0	29 - 13	3SP-25914-51	30 - 12
3WF-2153E-40	21 - 17	1C3-22212-00	40 - 1	1C3-23141-A1	40 - 2	1C3-23188-R0	26 - 16	34P-25304-00	31 - 7	5DH-25916-00	30 - 10
5RU-21568-01	21 - 22	5UN-22212-00	40 - 1	1C3-23141-B1	40 - 2		26 - 40	17D-2530S-00	31 - 18		32 - 14
2S2-21610-70	21 - 8	1C3-22212-10	40 - 1	1C3-23141-C1	40 - 2	1C3-23190-L0	26 - 18	17D-25311-00	31 - 1	3JD-25917-00	30 - 13
5XC-21610-90	21 - 8	1C3-22212-20	40 - 1	1C3-23141-D1	40 - 2		26 - 42	17D-25317-00	31 - 2		32 - 16
5XE-21635-10	21 - 9	1C3-22212-30	40 - 1	1C3-23141-E1	40 - 2	2S2-23340-10	26 - 49	4XM-25364-00	31 - 12	5DH-25919-00	30 - 6
5TA-21642-00	21 - 15	1C3-22212-40	40 - 1	1C3-23141-F1	40 - 2	5XE-23389-00	25 - 15	17D-25381-00	31 - 23	5DH-25919-50	32 - 6
3RV-21668-A0	23 - 32	1C3-22212-50	24 - 17	1C3-23141-G1	40 - 2	4EW-23416-00	25 - 2	17D-25388-00	31 - 19	8CR-25924-00	32 - 13
3RV-21668-B0	23 - 33	1C3-22212-60	40 - 1	1C3-23141-J1	40 - 2	17D-23435-00	25 - 5	17D-25389-00	31 - 20	3SP-25926-51	30 - 11
34P-2167A-00	22 - 2	5UN-22212-A0	40 - 1	2S2-23141-L1	26 - 20	5XC-23441-90	25 - 8	3JE-25394-00	31 - 11	5DH-25933-00	30 - 9
34P-2167A-10	22 - 2	1C3-22212-B0	24 - 17		26 - 44	5UM-23442-E0	25 - 9	5SF-25394-00	29 - 10	1UY-25937-51	30 - 14
34P-2167B-00	22 - 6	5UN-22212-B0	40 - 1	1C3-23142-L0	26 - 19	17D-23466-00	26 - 57	1C3-25447-00	31 - 13		32 - 18
34P-2167B-10	22 - 6	5UN-22212-C0	40 - 1		26 - 43	17D-23467-00	26 - 58	1C3-25448-00	31 - 13	5XC-26111-L0	33 - 1
5XC-21710-90	22 - 1	5UN-22212-D0	40 - 1	5XE-23144-L0	26 - 9	1C3-23485-A0	25 - 13	1C3-25449-00	31 - 13	17D-26124-00	33 - 14
5XC-21720-90	22 - 5	5UN-22212-E0	40 - 1		26 - 33	2S2-24110-70	27 - 1	1C3-25450-00	31 - 13	5XC-26143-L0	33 - 15

NUMERICAL INDEX

PART NO.	REF. NO.	PART NO.	REF. NO.	PART NO.	REF. NO.	PART NO.	REF. NO.	PART NO.	REF. NO.	PART NO.	REF. NO.
5XC-26143-M0	33 - 15	1C3-W0046-50	32 - 9	90105-10189	20 - 22	90183-060A6	6 - 4	90202-05193	27 - 29	90430-06014	5 - 10
5TJ-26240-C0	33 - 3	1C3-W0046-B0	32 - 9	90105-10191	20 - 25		6 - 8	90202-08045	10 - 5		13 - 31
4GY-26241-00	33 - 2	5KM-W0047-10	30 - 5	90105-10193	20 - 19	90185-08008	31 - 15	90206-06090	11 - 5	90430-08119	13 - 26
4GY-26242-00	33 - 4	5UN-W0047-50	32 - 5	90109-06034	38 - 3	90185-08009	20 - 17	90208-25045	16 - 2	90430-10005	34 - 2
3Y1-26249-00	33 - 5	1UY-W0048-50	30 - 7	90109-06198	18 - 8	90185-10012	24 - 24	90209-06096	9 - 20		36 - 14
5BE-26281-00	33 - 6	5XC-W0057-00	30 - 4	90109-06232	26 - 56	90185-14010	23 - 31	90209-16011	23 - 22	90430-10188	13 - 12
5BE-26282-00	33 - 7	5UN-W0057-50	32 - 4	90109-06245	9 - 23	90185-16002	23 - 16	90209-21332	17 - 10	90445-09220	27 - 3
5SF-26287-10	33 - 9	5XC-W2587-00	34 - 4	90109-08078	31 - 14	90185-22009	31 - 24		17 - 19	90445-09251	27 - 5
34P-26302-00	33 - 10	90101-05005	38 - 7	90110-05038	9 - 9	90201-03313	9 - 18	90209-26348	17 - 24	90445-14009	7 - 16
34P-26334-00	38 - 12	90101-06041	19 - 16	90110-06228	8 - 5	90201-05017	12 - 3	90215-10009	2 - 19	90450-17001	7 - 17
34P-26335-00	33 - 11	90101-06044	15 - 13	90110-08087	15 - 24	90201-06013	18 - 9	90215-14287	2 - 13	90450-22001	6 - 24
17D-26337-00	38 - 5	90101-08006	31 - 21	90110-08097	11 - 7	90201-06085	21 - 13	90215-20005	16 - 12	90450-25001	6 - 23
5TA-26339-00	38 - 17	90105-05014	20 - 45		12 - 6	90201-06104	21 - 11	90215-21003	17 - 32	90450-28001	6 - 22
34P-26342-00	33 - 13	90105-06027	1 - 4	90111-06116	36 - 11	90201-06570	27 - 10	90240-08120	35 - 6	90450-57010	9 - 2
34P-26372-00	38 - 8	90105-06064	22 - 11	90116-08022	1 - 10		27 - 17	90240-10004	35 - 11	90450-61002	9 - 10
5XC-26372-G0	34 - 17		22 - 15	90119-06146	20 - 36	90201-06571	6 - 28	90267-32070	9 - 17	90461-10136	13 - 29
2S2-27200-10	35 - 1	90105-06081	13 - 19		20 - 38	90201-08043	20 - 18	90267-48084	11 - 10	90464-06004	39 - 12
5UN-27217-00	36 - 8		17 - 35	90119-06147	21 - 3	90201-08044	35 - 7		12 - 9	90464-13073	39 - 8
1C3-27217-10	35 - 2	90105-06100	21 - 10	90119-06149	25 - 14	90201-08045	20 - 10	90280-03006	2 - 20	90464-13077	39 - 7
5UN-27218-00	36 - 3	90105-06103	22 - 3	90119-08095	22 - 4	90201-08047	15 - 25	90282-05034	2 - 17	90464-15195	39 - 9
5UN-27222-00	36 - 4		22 - 7		22 - 8	90201-08048	31 - 16	90340-12007	1 - 5	90465-13275	27 - 33
34P-27311-00	35 - 15	90105-06104	23 - 12	90122-06005	9 - 21	90201-08061	11 - 19	90340-14003	14 - 4		39 - 11
5XC-27411-M1	35 - 9	90105-06105	23 - 14	90149-05162	38 - 16		12 - 19	90340-27003	14 - 2	90467-090A2	6 - 11
5XC-27421-M1	35 - 10	90105-06106	21 - 12	90149-06068	7 - 8	90201-08410	10 - 45	90387-06009	21 - 14	90467-100A1	27 - 28
1C3-27491-50	32 - 21	90105-06107	25 - 16	90149-06074	13 - 16	90201-08512	5 - 3	90387-06065	6 - 26	90467-140A4	1 - 21
5XC-28116-00	20 - 48		27 - 8	90149-06081	37 - 3	90201-10025	1 - 15		27 - 18	90468-16001	35 - 8
5TA-2814F-00	20 - 47		27 - 15	90149-06083	2 - 15	90201-10032	35 - 16	90387-06090	21 - 2	90480-08608	31 - 17
5ET-28166-10	20 - 46		32 - 22	90149-06108	27 - 30	90201-10045	20 - 21		27 - 13	90480-15528	6 - 25
5TA-82310-10	39 - 3	90105-06110	32 - 20	90149-10031	20 - 4		20 - 26	90387-06104	25 - 17	90480-18549	27 - 7
2S2-82509-01	39 - 13	90105-06111	6 - 27	90151-06032	20 - 40		20 - 29	90387-08041	20 - 11	90501-043E0	14 - 31
2S2-82540-00	39 - 4		27 - 9	90151-06051	30 - 2	90201-12166	7 - 11	90387-08081	11 - 15	90501-052G5	19 - 13
17D-82911-00	38 - 1		27 - 16	90151-06071	13 - 15	90201-125L6	16 - 16		12 - 15	90501-06022	18 - 4
17D-82913-00	38 - 10		32 - 23	90152-06010	15 - 22	90201-127E1	19 - 5	90387-086N4	20 - 15	90501-147A5	15 - 20
5XD-82946-00	38 - 9	90105-06156	32 - 2	90154-05022	39 - 6		37 - 5	90387-124F4	19 - 3	90501-160A2	15 - 5
17D-83912-00	38 - 2	90105-06178	26 - 59	90159-06010	16 - 10	90201-14020	23 - 30	90387-14016	23 - 27	90501-230E4	16 - 9
5XC-83922-L0	34 - 12	90105-08137	11 - 18	90170-10405	2 - 18	90201-15701	14 - 16	90387-16026	23 - 21	90506-16007	35 - 5
5TA-83941-00	38 - 11		12 - 18	90170-14171	2 - 12	90201-16018	23 - 17	90387-18004	23 - 7	90508-26021	18 - 7
1C3-83976-00	38 - 18		30 - 16	90170-20327	16 - 13	90201-162H4	15 - 10	90387-18007	13 - 22	90508-28015	35 - 13
5LP-84126-10	38 - 4	90105-08143	20 - 32	90170-24003	25 - 6	90201-167P7	15 - 6	90387-18012	23 - 6	90508-28018	35 - 14
34P-85540-00	39 - 1	90105-08146	20 - 16	90179-06028	23 - 13	90201-203E7	17 - 16	90387-20028	17 - 15	90508-29021	19 - 4
34P-85540-10	39 - 1	90105-08154	25 - 12	90179-08019	31 - 22	90201-20685	15 - 2	90387-21005	17 - 8	90508-305B0	15 - 9
1C3-85546-00	39 - 2		26 - 51	90179-10658	20 - 20		15 - 16	90387-225N2	33 - 12	91312-06012	6 - 13
2S2-85550-10	37 - 2	90105-08156	20 - 6		20 - 28	90201-21014	23 - 23	90387-2513F	17 - 29	91312-06020	8 - 7
2S2-85560-10	37 - 1	90105-08307	11 - 17	90179-12657	37 - 4	90201-22021	31 - 25	90387-28012	17 - 26		9 - 3
5XC-85885-00	10 - 47		12 - 17	90179-16011	29 - 14	90201-24016	25 - 7	90401-10172	34 - 3	91312-06030	7 - 6
5XC-W0041-00	34 - 5		20 - 7	90179-20001	17 - 33	90201-253K0	17 - 4		36 - 13		13 - 24
5UN-W0042-50	36 - 2	90105-10163	1 - 14	90179-20009	16 - 3		17 - 21	90430-06014	1 - 8	91312-06050	13 - 5
5XC-W0045-00	30 - 8	90105-10176	20 - 27	90179-28013	25 - 3	90201-286K9	25 - 4		4 - 8	91312-06060	13 - 6

NUMERICAL INDEX

PART NO.	REF. NO.	PART NO.	REF. NO.	PART NO.	REF. NO.	PART NO.	REF. NO.	PART NO.	REF. NO.	PART NO.	REF. NO.
91312-06065	8 - 6	93306-00431	17 - 11	94703-00411	1 - 12	99530-10114	13 - 20				
91312-06080	13 - 7	93306-20532	17 - 1	95022-06010	1 - 7	99530-14016	13 - 4				
91316-04012	10 - 3	93306-205A5	17 - 27	95022-06012	6 - 20		13 - 23				
91402-20012	35 - 4	93306-30633	2 - 7		13 - 30	9Y582-28113	31 - 26				
91402-25015	35 - 12	93306-80501	18 - 5	95022-06016	1 - 28						
91808-16023	1 - 6	93306-90409	29 - 2	95022-06020	19 - 8						
91812-16001	14 - 20	93306-90509	18 - 2		38 - 13						
91A20-05065	6 - 10	93306-90510	31 - 3	95022-06025	4 - 7						
92012-05008	20 - 43	93310-63417	2 - 5	95022-06030	5 - 11						
92012-05012	38 - 14	93315-32166	23 - 19		7 - 14						
92012-06010	6 - 3		23 - 25		14 - 13						
	6 - 7	93317-11287	16 - 21		14 - 22						
92902-06600	4 - 12	93317-22262	23 - 2		14 - 26						
92902-08200	20 - 33	93332-00068	25 - 1	95022-06035	1 - 9						
92902-10200	24 - 22	93332-00081	26 - 50		1 - 26						
	25 - 10	93340-21505	16 - 15	95022-06040	14 - 12						
93101-14164	14 - 15	93342-22217	23 - 3		14 - 21						
93102-12106	5 - 5	93410-20038	15 - 3		14 - 27						
93102-12224	16 - 22	93420-18082	2 - 24	95022-06080	14 - 28						
	19 - 9	93440-10085	16 - 17	95022-08040	20 - 12						
93102-20108	15 - 14	93440-10153	7 - 4	95022-10016	13 - 11						
93102-26468	29 - 4	93440-25084	17 - 5	95302-05700	38 - 6						
93102-32337	31 - 4		17 - 18	95602-05100	38 - 15						
93102-32480	17 - 28	93440-28062	17 - 22	95602-10200	24 - 21						
93106-22002	23 - 4	93440-41178	4 - 3		25 - 11						
93109-11073	5 - 4	93503-08007	14 - 30	95701-06500	34 - 14						
93109-21001	23 - 26	93507-32009	15 - 21	95702-08500	1 - 11						
93109-25001	23 - 20	93511-32027	16 - 18	95822-08016	13 - 25						
93109-28043	23 - 5	93603-16219	7 - 3	97022-06016	4 - 11						
93210-07135	8 - 4	93604-10011	5 - 9	97702-60016	21 - 16						
93210-08003	14 - 11	93608-33002	19 - 6	98502-03008	27 - 24						
93210-09165	13 - 28	93612-16254	1 - 25	98502-05010	36 - 16						
93210-10197	13 - 21	9383E-13233	17 - 31	98502-05020	33 - 8						
93210-11073	35 - 3	94108-21025	29 - 7	98502-06025	13 - 10						
93210-14369	14 - 5	94112-19008	31 - 8	98702-06025	27 - 20						
93210-16500	6 - 14	94211-19273	31 - 9	98706-04012	34 - 8						
	6 - 21	94227-21101	29 - 8	98980-06008	11 - 4						
93210-17570	15 - 23	94309-21161	29 - 9		12 - 4						
93210-19123	14 - 7	94311-19155	31 - 10	99009-12400	7 - 10						
93210-19758	5 - 13	94416-21034	29 - 5	99009-16400	15 - 7						
93210-21001	39 - 5	94416-21041	29 - 5	99009-20400	15 - 17						
93210-22164	17 - 30	94421-19007	31 - 6	99009-20500	16 - 23						
93210-27370	14 - 3	94421-19008	31 - 6	99009-22500	14 - 17						
93210-47675	8 - 3	94591-57118	4 - 4	99009-42700	31 - 5						
93300-60839	20 - 14	94682-28001	31 - 27	99530-08012	7 - 5						
93304-20310	2 - 10	94701-00410	1 - 12	99530-08016	14 - 10						
93306-00105	5 - 6	94701-00411	1 - 12		14 - 25						
93306-00426	17 - 12	94703-00410	1 - 12	99530-10114	7 - 15						