



PARTS CATALOGUE

YFM125GV (1C59) U.S.A.

YFM125GV (1C5A) CANADA

YFM125GV (1C5B) EUROPE

YFM125GV (1C59) OCEANIA

YFM125A (1C59) JAPAN

YFM125GV/YFM125A
PARTS CATALOGUE
©2005 by Yamaha Motor Co., Ltd.
1st edition, April 2005
All rights reserved.
Any reprinting or unauthorized use
without the written permission of
Yamaha Motor Co., Ltd.
is expressly prohibited.
Printed in Japan.

A3

FOREWORD

This Parts Catalogue is related to the parts for the model(s) on the cover page. When you are ordering replacement parts, please refer to this Parts Catalogue and quote both part numbers and part names correctly.

1. Modifications or additions which have been made after the issue of the Parts Catalogue will be announced in the Parts News.

It is advisable that you make the necessary corrections to the Parts Catalogue according to the Parts News.

2. Abbreviations

The following abbreviations are used in this Parts Catalogue.

“UR” Use specified parts number.

“UN” Use as many as needed.

“AP” Alternate Parts

“LM” Locally Made (Parts need to be ordered locally)

“F#” Frame No. (Applicable machine No.)

“O/S” Over Size

3. The number of components for assembly

- Parts, which are to be supplied in an assembly, are listed with a dot (.) in front of the part name as shown below.
- The numeral appearing to the right of each component part indicates the quantity of parts for each assembly unit.

PART NO.	DESCRIPTION	Q'TY	REMARKS
2F5-83310-60	FRONT FLASHER LIGHT ASSY	2	
115-83311-60	.BULB (6V-18W)	1	

4. Applicable colours of graphics are represented in the “REMARKS” as shown below.

PART NO.	DESCRIPTION	Q'TY	REMARKS
2N4-24110-00-X5	FUEL TANK COMP.	2	MXR
3J1-24240-10	.GRAPHIC, FUEL TANK	1	FOR MXR

5. Note that the illustrations for reference in finding parts numbers are not to be used for assembling. When assembling, please use the applicable service manual.

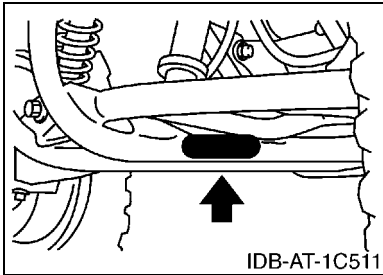
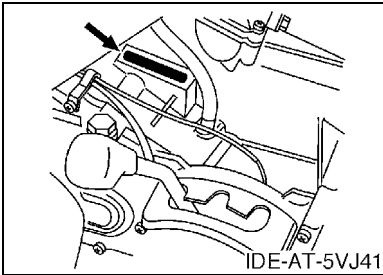
6. The asterisk (*) before a reference number indicates modified items after the first edition.

FOREWORD

7. Applicable Serial No.

Engine Serial No.

Frame Serial No.



8. Applicable Colour Code (The (*) mark shows Model colour.)

Abbreviation	Colour Name	Colour Code
DPBSE(*)	DEEP PURPLISH BLUE SOLID E	0583
DPBSN(*)	DARK PURPLISH BLUE SOLID N	0891
PDG(*)	PASTEL DEEP GREEN	00K0
SL	SILVER	0035
YB	YAMAHA BLACK	0033

9. Quantity Column Information

Column No.	Name Of Q'ty Column	Destination
1	USA	U.S.A.
2	CAN	CANADA
3	EUR	EUROPE
4	OCE	AUSTRALIA, NEW ZEALAND
5	JPN	JAPAN

CONTENTS

ENGINE

CYLINDER HEAD	B2
CRANKSHAFT & PISTON	B3
VALVE	B4
CAMSHAFT & CHAIN	B5
OIL PUMP	B6
INTAKE	B7
CARBURETOR	B8
EXHAUST	B10
CRANKCASE	B11
CRANKCASE COVER 1	B13
STARTER CLUTCH	B14
CLUTCH	B15
TRANSMISSION	C3
SHIFT CAM & FORK	C5

CHASSIS

FRAME	C6
FRONT FENDER	C7
REAR FENDER	C9
REAR ARM & SUSPENSION	C10
STEERING	C11
FRONT SUSPENSION & WHEEL	C12
FUEL TANK	C13
SEAT	C14
FRONT WHEEL	C15
REAR WHEEL	D3
STEERING HANDLE & CABLE	D5
STAND & FOOTREST	D7
GUARD	D8
GENERATOR	D9
STARTING MOTOR	D10
HEADLIGHT	D11
TAILLIGHT	D12
HANDLE SWITCH & LEVER	D13
ELECTRICAL 1	D14
ELECTRICAL 2	E2
EMBLEM & LABEL 1	E3
EMBLEM & LABEL 2	E4
EMBLEM & LABEL 3	E6
EMBLEM & LABEL 4	E7
EMBLEM & LABEL 5	E8

INDEX

NUMERICAL INDEX	M1
-----------------------	----

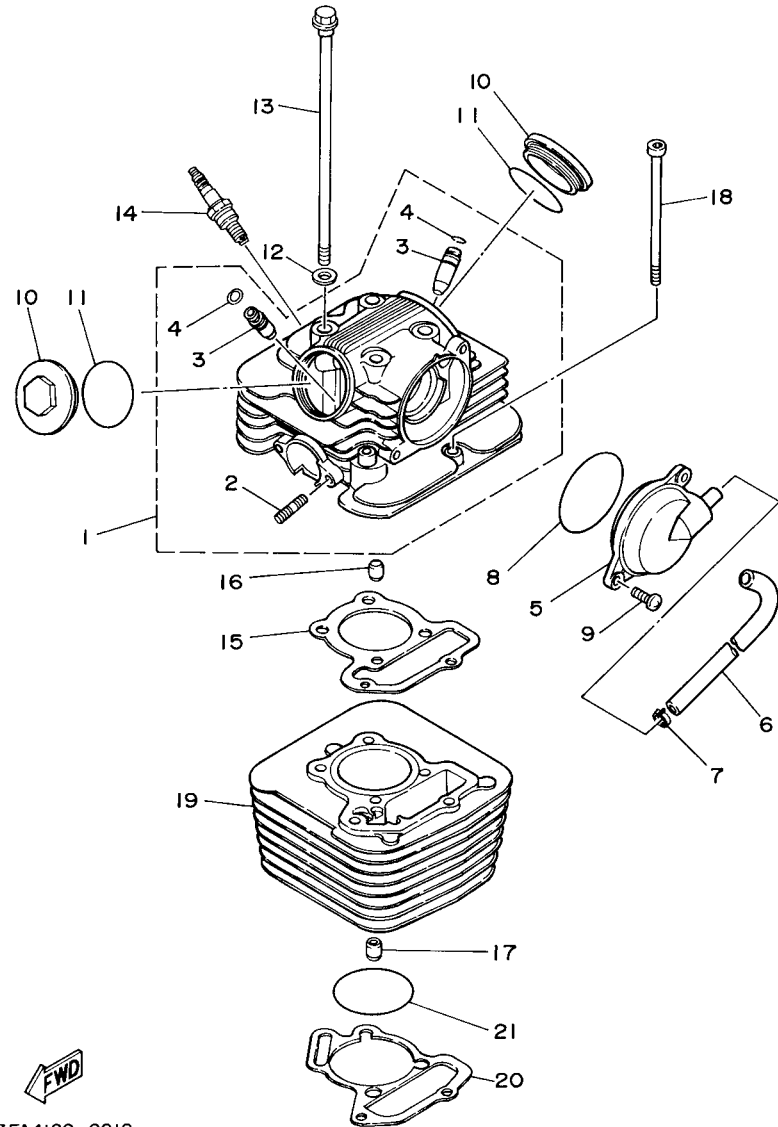
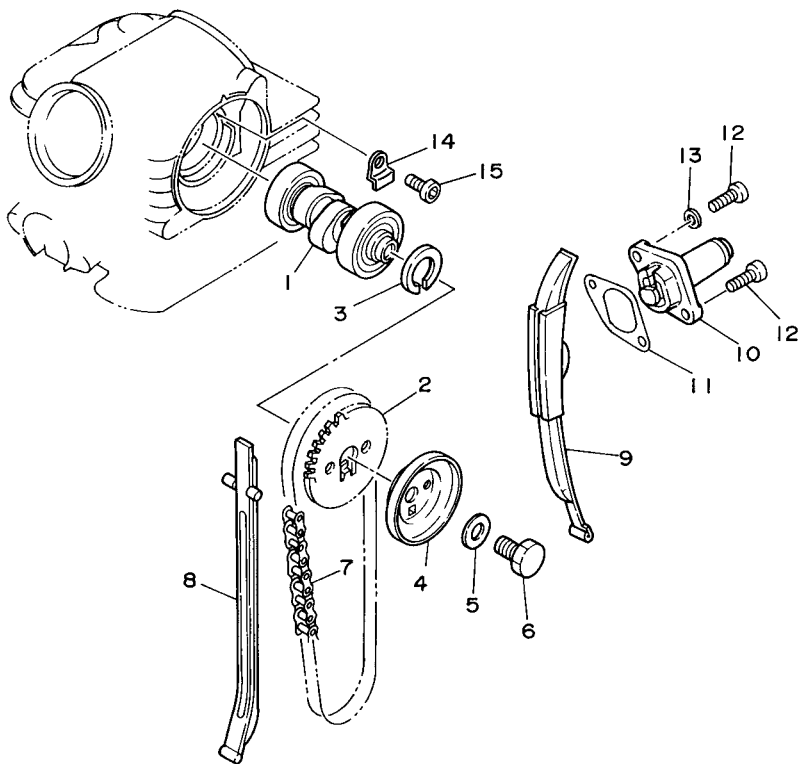


FIG. 1 CYLINDER HEAD

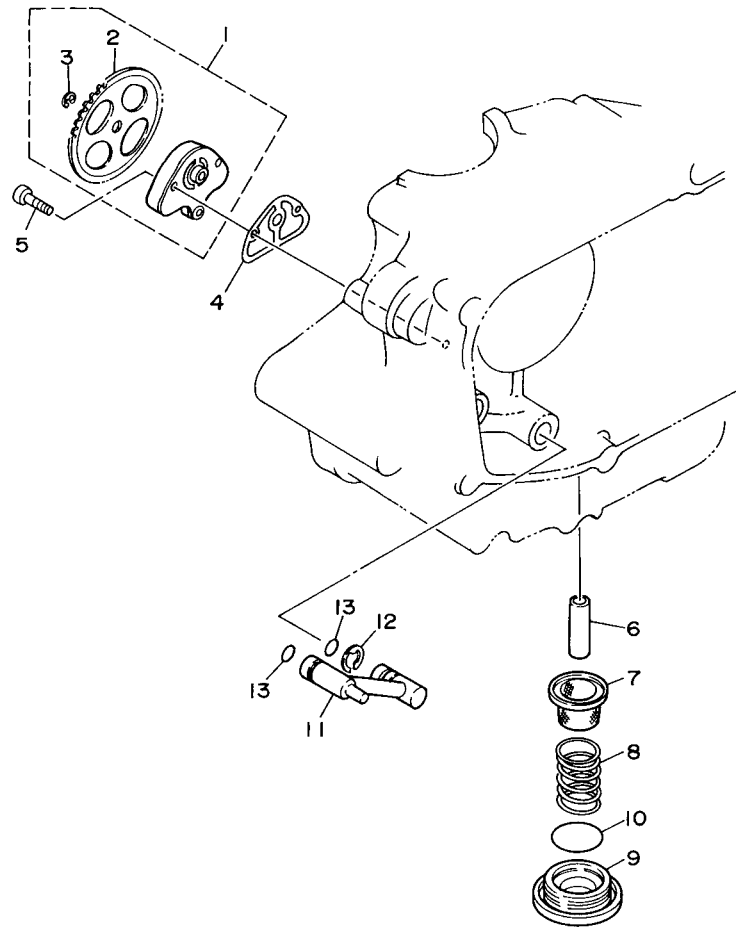
REF. NO.	PART NO.	DESCRIPTION	USA	CAN	EUR	OCE	JPN	REMARKS
1	3FA-11102-04	CYLINDER HEAD ASSY	1	1	1	1	1	
2	90116-06541	.BOLT, STUD	2	2	2	2	2	
3	22F-11134-10	.GUIDE, VALVE 2	2	2	2	2	2	
4	93440-10109	.CIRCLIP	2	2	2	2	2	
5	3FA-11160-00	BREATHER ASSY	1	1	1	1	1	
6	3FA-11166-00	PIPE, BREATHER 1	1	1	1	1	1	
7	90467-13064	CLIP	1	1	1	1	1	
8	93210-63556	O-RING	1	1	1	1	1	
9	98507-06016	SCREW, PAN HEAD	2	2	2	2	2	
10	22F-11186-00	COVER, CYLINDER HEAD SIDE 2	2	2	2	2	2	
11	93210-44704	O-RING	2	2	2	2	2	
12	90201-08609	WASHER, PLATE	4	4	4	4	4	
13	90105-08324	BOLT, FLANGE	4	4	4	4	4	
14	94701-00366	PLUG, SPARK (NGK CR7HSA)	1	1	1	1	1	
	94703-00366	PLUG, SPARK (NGK CR7HSA)					1	
15	50M-11181-00	GASKET, CYLINDER HEAD 1	1	1	1	1	1	
16	99530-10114	PIN, DOWEL	2	2	2	2	2	
17	99530-10114	PIN, DOWEL	2	2	2	2	2	
18	91317-06110	BOLT	2	2	2	2	2	
19	3FA-11310-00	CYLINDER	1	1	1	1	1	
20	3FA-11351-10	GASKET, CYLINDER	1	1	1	1	1	
21	93210-53679	O-RING	1	1	1	1	1	

FIG. 4 CAMSHAFT & CHAIN

REF. NO.	PART NO.	DESCRIPTION	USA	CAN	EUR	OCE	JPN	REMARKS
1	50M-12170-01	CAMSHAFT ASSY 1	1	1	1	1	1	
2	50M-12176-00	SPROCKET, CAM CHAIN (28T)	1	1	1	1	1	
3	90387-167L5	COLLAR	1	1	1	1	1	
4	3FA-11145-00	PLATE, BREATHER 2	1	1	1	1	1	
5	90201-08326	WASHER, PLATE	1	1	1	1	1	
6	90101-08590	BOLT	1	1	1	1	1	
7	94580-25092	CHAIN (D.I.D 25)	1	1	1	1	1	
8	50M-12231-00	GUIDE, STOPPER 1	1	1	1	1	1	
9	50M-12241-00	GUIDE, STOPPER 2	1	1	1	1	1	
10	50M-12210-00	TENSIONER ASSY, CAM CHAIN	1	1	1	1	1	
11	4RF-12213-00	GASKET, TENSIONER CASE	1	1	1	1	1	
12	91317-06016	BOLT	2	2	2	2	2	
13	90430-06014	GASKET	1	1	1	1	1	
14	4GL-11111F-00	PLATE	1	1	1	1	1	
15	91317-06012	BOLT	1	1	1	1	1	



1C55100-D040



3FA1110-9050

FIG. 5 OIL PUMP

REF. NO.	PART NO.	DESCRIPTION	USA	CAN	EUR	OCE	JPN	REMARKS
1	3FA-13300-00	OIL PUMP ASSY	1	1	1	1	1	
2	3FA-13325-00	.GEAR, PUMP DRIVEN	1	1	1	1	1	
3	99001-05600	.CIRCLIP	1	1	1	1	1	
4	22F-13329-01	GASKET, PUMP COVER	1	1	1	1	1	
5	90155-06007	SCREW, FLAT FILLISTER	2	2	2	2	2	
6	3Y1-13416-01	PIPE, OIL 1	1	1	1	1	1	
7	51Y-13411-00	STRAINER, OIL	1	1	1	1	1	
8	90501-18576	SPRING, COMPRESSION	1	1	1	1	1	
9	30X-15351-00	PLUG, DRAIN	1	1	1	1	1	
10	93210-347A1	O-RING	1	1	1	1	1	
11	3FA-13405-00	OIL PIPE COMP. 1	1	1	1	1	1	
12	99001-10600	CIRCLIP	1	1	1	1	1	
13	93210-08006	O-RING	2	2	2	2	2	

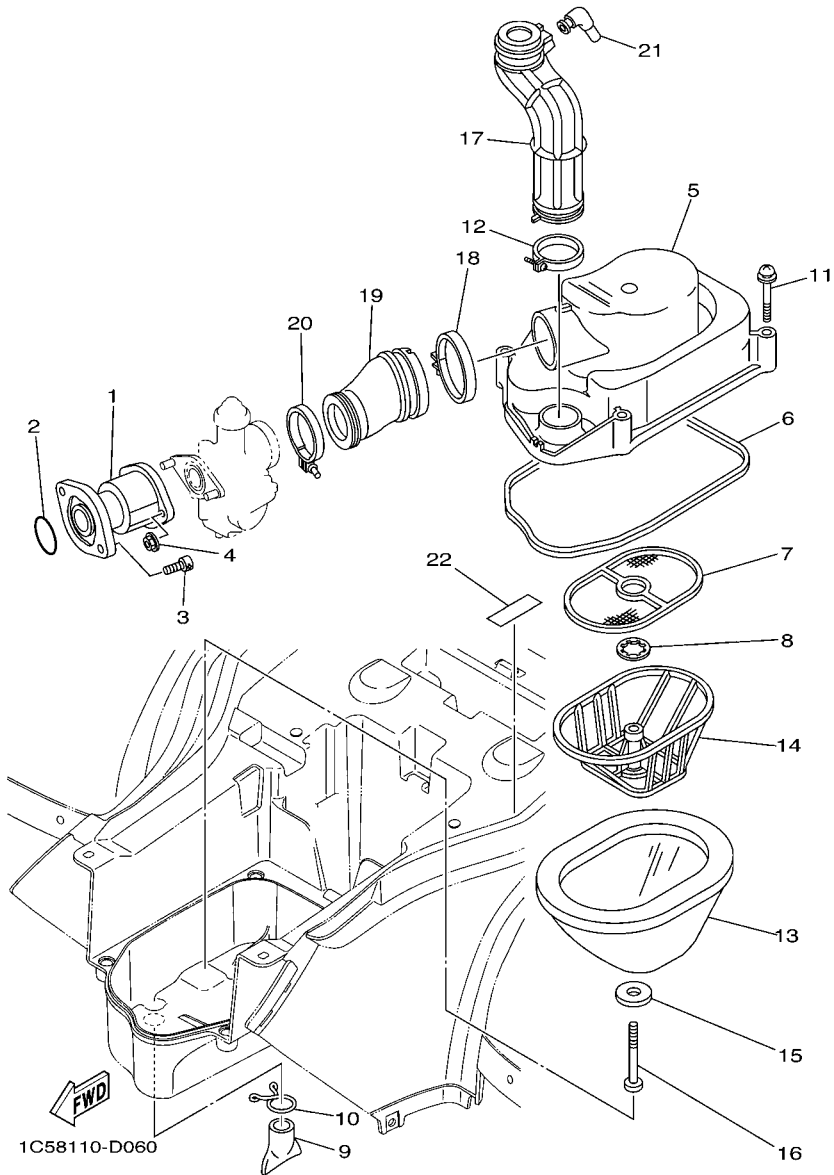
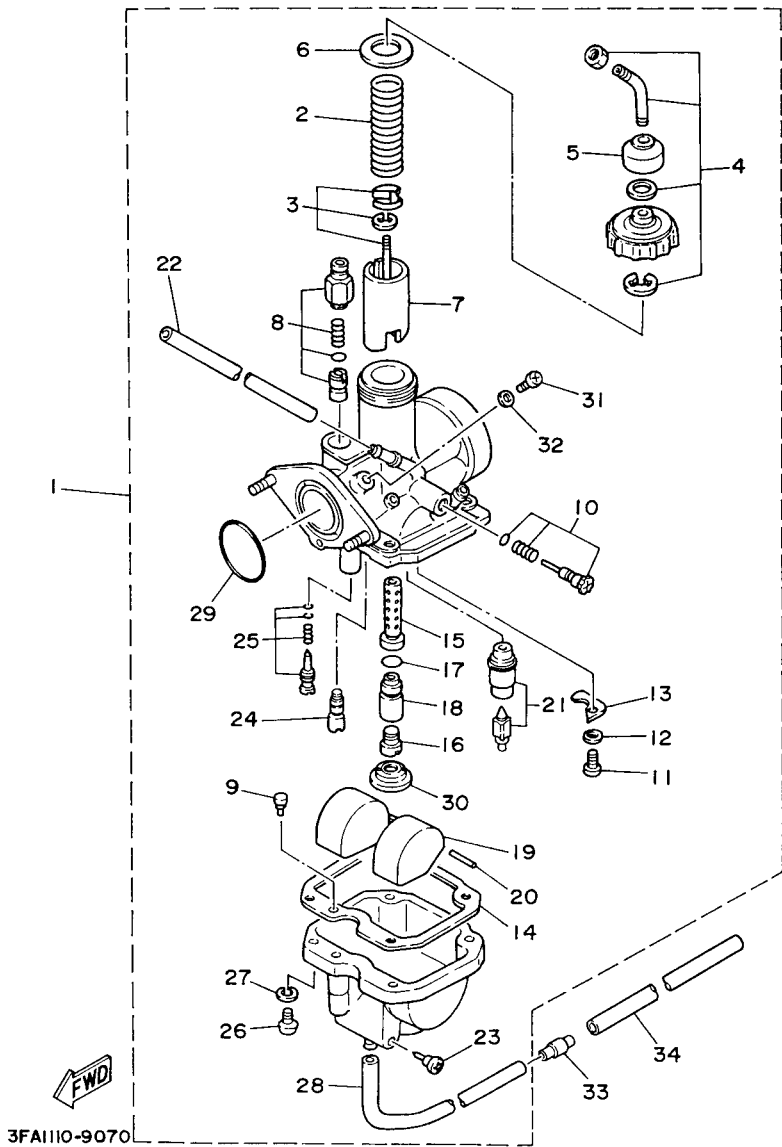


FIG. 6 INTAKE

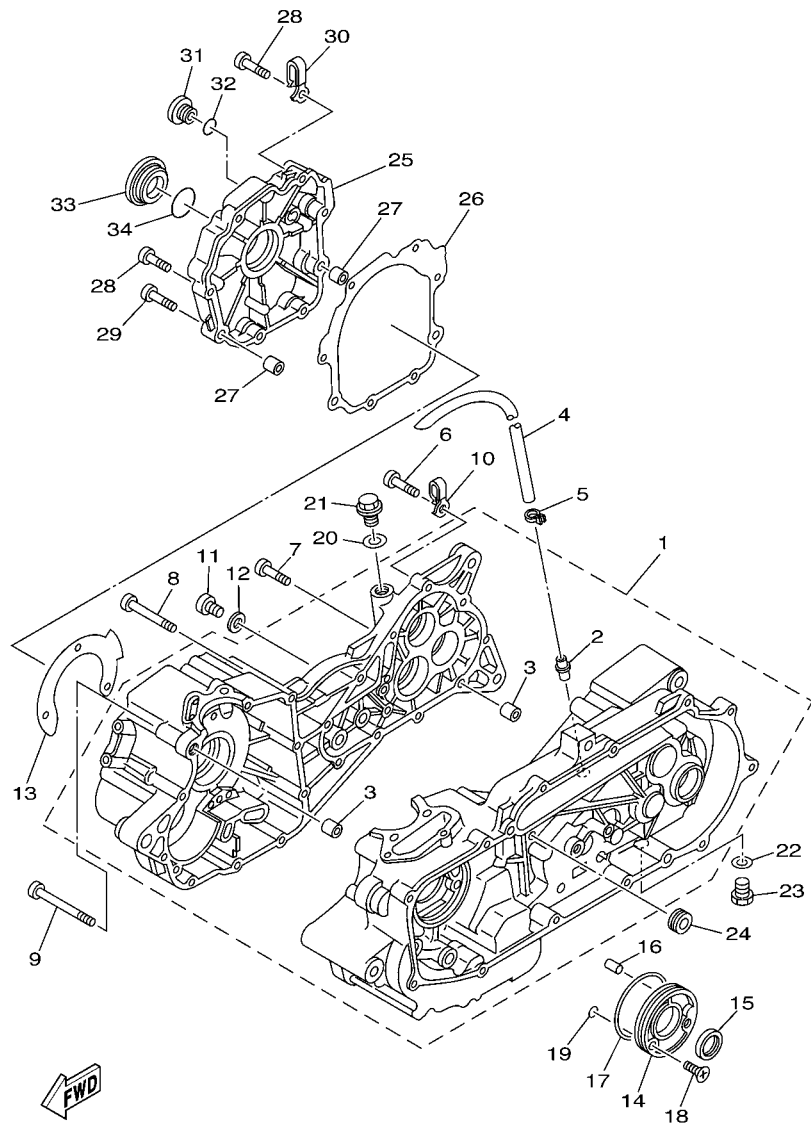
REF. NO.	PART NO.	DESCRIPTION	USA	CAN	EUR	OCE	JPN	REMARKS
1	3FA-13586-00	JOINT, CARBURETOR 1	1	1	1	1	1	
2	93210-30611	O-RING	1	1	1	1	1	
3	91317-06020	BOLT	2	2	2	2	2	
4	95707-06500	NUT, FLANGE	2	2	2	2	2	
5	3FA-14412-01	CAP, CLEANER CASE 1	1	1	1	1	1	
6	36F-14452-00	SEAL	1	1	1	1	1	
7	3FA-14472-00	PLATE, ELEMENT	1	1	1	1	1	
8	3FA-14424-00	CLIP, CAP FITTING	1	1	1	1	1	
9	59V-14457-00	SEAL	1	1	1	1	1	
10	90467-22080	CLIP	1	1	1	1	1	
11	90159-05019	SCREW, WITH WASHER	4	4	4	4	4	
12	90450-45075	HOSE CLAMP ASSY	1	1	1	1	1	
13	2XJ-14451-00	ELEMENT, AIR CLEANER	1	1	1	1	1	
14	2XJ-14458-00	GUIDE	1	1	1	1	1	
15	90209-06096	WASHER	1	1	1	1	1	
16	98507-06060	SCREW, PAN HEAD	1	1	1	1	1	
17	3FA-14437-00	DUCT	1	1	1	1	1	
18	90460-58124	CLAMP, HOSE	1	1	1	1	1	
19	3FA-14453-00	JOINT, AIR CLEANER 1	1	1	1	1	1	
20	90450-45075	HOSE CLAMP ASSY	1	1	1	1	1	
21	2NL-14419-00	PIPE	1	1	1	1	1	
22	1C5-2179T-20	PLATE, EPA 3(CALIFORNIA)	1					

FIG. 7 CARBURETOR

REF. NO.	PART NO.	DESCRIPTION	USA	CAN	EUR	OCE	JPN	REMARKS
1	5VJ-14101-10	CARBURETOR ASSY 1	1	1	1	1	1	
2	21V-14131-00	.SPRING, THROTTLE VALVE	1	1	1	1	1	
3	3FA-1490J-10	.NEEDLE SET	1	1	1	1	1	
4	10X-14106-00	.CABLE ADJUST SCREW SET	1	1	1	1	1	
5	3X3-14169-00	.CAP	1	1	1	1	1	
6	4U5-14126-00	.GASKET	1	1	1	1	1	
7	3FA-14112-25	.VALVE, THROTTLE 1	1	1	1	1	1	
8	5VJ-1410A-00	.STARTER SET	1	1	1	1	1	
9	18M-14144-09	.JET, STARTER	1	1	1	1	1	
10	18G-14103-00	.THROTTLE SCREW SET	1	1	1	1	1	
11	97802-03008	.SCREW, PAN HEAD	1	1	1	1	1	
12	92902-03100	.WASHER, WAVE	1	1	1	1	1	
13	21V-14146-00	.PLATE	1	1	1	1	1	
14	24W-14184-00	.GASKET, FLOAT CHAMBER	1	1	1	1	1	
15	21V-1414M-31	.NOZZLE, MAIN	1	1	1	1	1	
16	620-1423A-66	.JET, MAIN (# 77.5)	1	1	1	1	1	
17	583-14561-00	.O-RING	1	1	1	1	1	
18	3FA-14148-00	.PIPE	1	1	1	1	1	
19	21V-14185-00	.FLOAT	1	1	1	1	1	
20	127-14186-00	.PIN, FLOAT	1	1	1	1	1	
21	21V-14190-18	.NEEDLE VALVE ASSY	1	1	1	1	1	
22	3FA-14197-00	.PIPE	1	1	1	1	1	
23	12R-14191-00	.PLUG, DRAIN	1	1	1	1	1	
24	1NT-14142-12	.JET, PILOT (# 12.5)	1	1	1	1	1	
25	21V-14105-00	.PILOT SCREW SET	1	1	1	1	1	
26	98502-04014	.SCREW, PAN HEAD	4	4	4	4	4	
27	92902-04100	.WASHER, SPRING	4	4	4	4	4	



3FA110-9070



5VJ1100-3090

FIG. 9 CRANKCASE

REF. NO.	PART NO.	DESCRIPTION	USA	CAN	EUR	OCE	JPN	REMARKS
1	3FA-15100-00	CRANKCASE ASSY	1	1	1	1	1	
2	59V-11167-00	.PIPE, BREATHER 2	1	1	1	1	1	
3	99530-12016	.PIN, DOWEL	2	2	2	2	2	
4	90445-121F6	HOSE (L700)	1	1	1	1	1	
5	90467-13064	CLIP	1	1	1	1	1	
6	98507-06030	SCREW, PAN HEAD	9	9	9	9	9	
7	98507-06040	SCREW, PAN HEAD	1	1	1	1	1	
8	98507-06060	SCREW, PAN HEAD	9	9	9	9	9	
9	98507-06070	SCREW, PAN HEAD	1	1	1	1	1	
10	90465-08127	CLAMP	1	1	1	1	1	
11	98507-08012	SCREW, PAN HEAD	1	1	1	1	1	
12	90201-08087	WASHER, PLATE	1	1	1	1	1	
13	3FA-15462-10	GASKET, CRANKCASE COVER 3	1	1	1	1	1	
14	50M-15418-00	COVER, CHAIN CASE	1	1	1	1	1	
15	93102-22294	OIL SEAL	1	1	1	1	1	
16	93605-18078	PIN, DOWEL	1	1	1	1	1	
17	93210-704A7	O-RING	1	1	1	1	1	
18	98707-06016	SCREW, FLAT HEAD	2	2	2	2	2	
19	93210-06564	O-RING	2	2	2	2	2	
20	214-11198-01	GASKET	1	1	1	1	1	
21	90340-14132	PLUG, STRAIGHT SCREW	1	1	1	1	1	
22	90430-14043	GASKET	1	1	1	1	1	
23	90340-14036	PLUG, STRAIGHT SCREW	1	1	1	1	1	
24	90480-13018	GROMMET	1	1	1	1	1	
25	3FA-15787-00	ADAPTOR	1	1	1	1	1	
26	3FA-15461-10	GASKET, CRANKCASE COVER 2	1	1	1	1	1	
27	99530-10014	PIN, DOWEL	2	2	2	2	2	

FIG. 10 CRANKCASE COVER 1

REF. NO.	PART NO.	DESCRIPTION	USA	CAN	EUR	OCE	JPN	REMARKS
1	3FA-15411-00	COVER, CRANKCASE 1	1	1	1	1	1	
2	3FA-15451-11	GASKET, CRANKCASE COVER 1	1	1	1	1	1	
3	3FA-15467-00	GASKET	1	1	1	1	1	
4	99530-10014	PIN, DOWEL	2	2	2	2	2	
5	98507-06030	SCREW, PAN HEAD	12	12	12	12	12	
6	98507-06090	SCREW, PAN HEAD	1	1	1	1	1	
7	98507-06008	SCREW, PAN HEAD	1	1	1	1	1	
8	90201-06630	WASHER, PLATE	1	1	1	1	1	
9	3FA-15362-00	PLUG, OIL LEVEL	1	1	1	1	1	
10	93210-19123	O-RING	1	1	1	1	1	
11	3FA-15471-00	DUCT, AIR	1	1	1	1	1	
12	3FA-15472-00	SEAL, AIR DUCT	1	1	1	1	1	
13	98507-06030	SCREW, PAN HEAD	5	5	5	5	5	
14	98507-06045	SCREW, PAN HEAD	1	1	1	1	1	
15	3FA-15475-00	DUCT, AIR	1	1	1	1	1	
16	90460-54085	CLAMP, HOSE	2	2	2	2	2	
17	3FA-15477-00	DUCT, AIR	1	1	1	1	1	

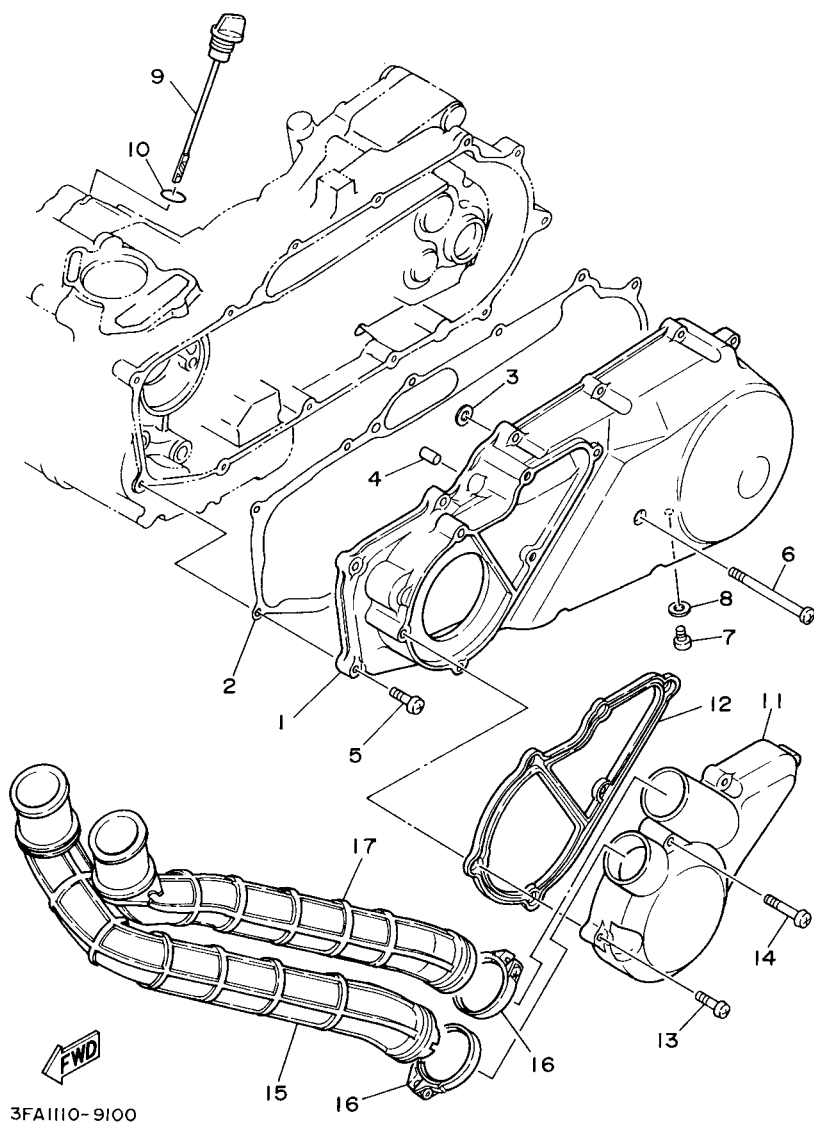
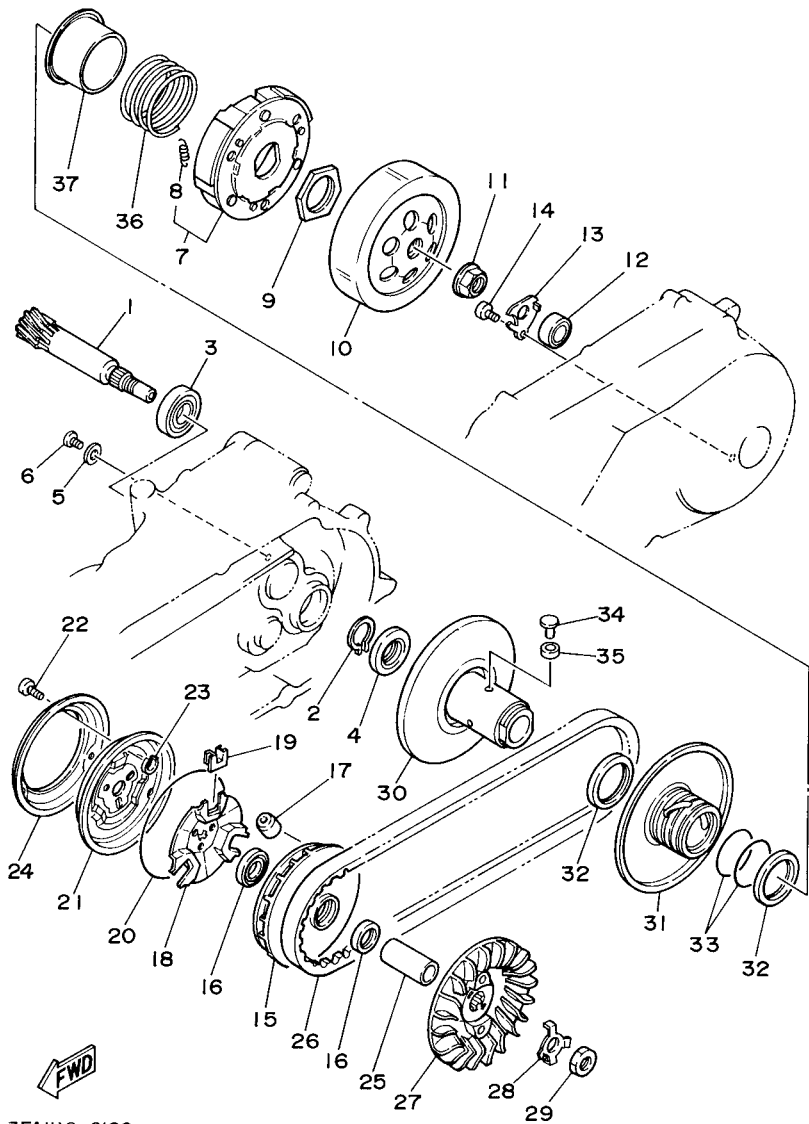


FIG. 12 CLUTCH

REF. NO.	PART NO.	DESCRIPTION	USA	CAN	EUR	OCE	JPN	REMARKS
1	3FA-16111-00	GEAR, PRIMARY DRIVE (14T)	1	1	1	1	1	
2	99009-22400	CIRCLIP	1	1	1	1	1	
3	93306-00433	BEARING	1	1	1	1	1	
4	93102-22335	OIL SEAL	1	1	1	1	1	
5	90201-06412	WASHER, PLATE	1	1	1	1	1	
6	98507-06010	SCREW, PAN HEAD	1	1	1	1	1	
7	3FA-16620-00	CLUTCH CARRIER ASSY	1	1	1	1	1	
8	14T-16626-00	.SPRING, CLUTCH WEIGHT 1	3	3	3	3	3	
9	90170-36279	NUT	1	1	1	1	1	
10	4DH-16611-00	CLUTCH HOUSING COMP.	1	1	1	1	1	
11	90179-14469	NUT	1	1	1	1	1	
12	93399-99918	BEARING	1	1	1	1	1	
13	50M-15381-00	PLATE, BEARING COVER	1	1	1	1	1	
14	98507-06010	SCREW, PAN HEAD	1	1	1	1	1	
15	3FA-17620-01	PRIMARY SLIDING SHEAVE COMP.	1	1	1	1	1	
16	93101-21170	OIL SEAL	2	2	2	2	2	
17	50M-17632-00	WEIGHT	6	6	6	6	6	
18	50W-17623-00	CAM	1	1	1	1	1	
19	4CW-17653-00	SLIDER	3	3	3	3	3	
20	93210-97690	O-RING	1	1	1	1	1	
21	50M-17630-00	PRIMARY SHEAVE CAP COMP.	1	1	1	1	1	
22	98980-04012	SCREW, BIND	3	3	3	3	3	
23	90214-04038	WASHER, CLAW	3	3	3	3	3	
24	50M-1763E-01	PLATE	1	1	1	1	1	
25	90387-161V0	COLLAR	1	1	1	1	1	
26	3FA-17641-00	V-BELT	1	1	1	1	1	
27	3FA-17611-01	SHEAVE, PRIMARY FIXED	1	1	1	1	1	



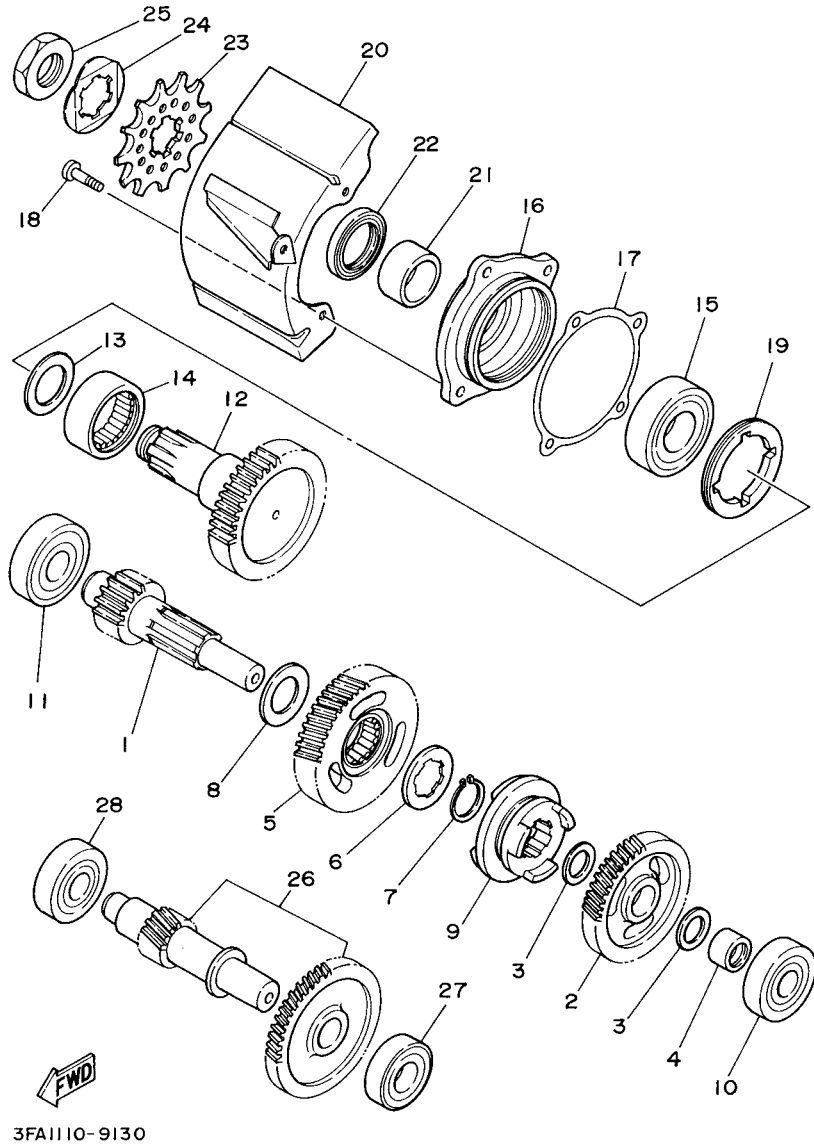
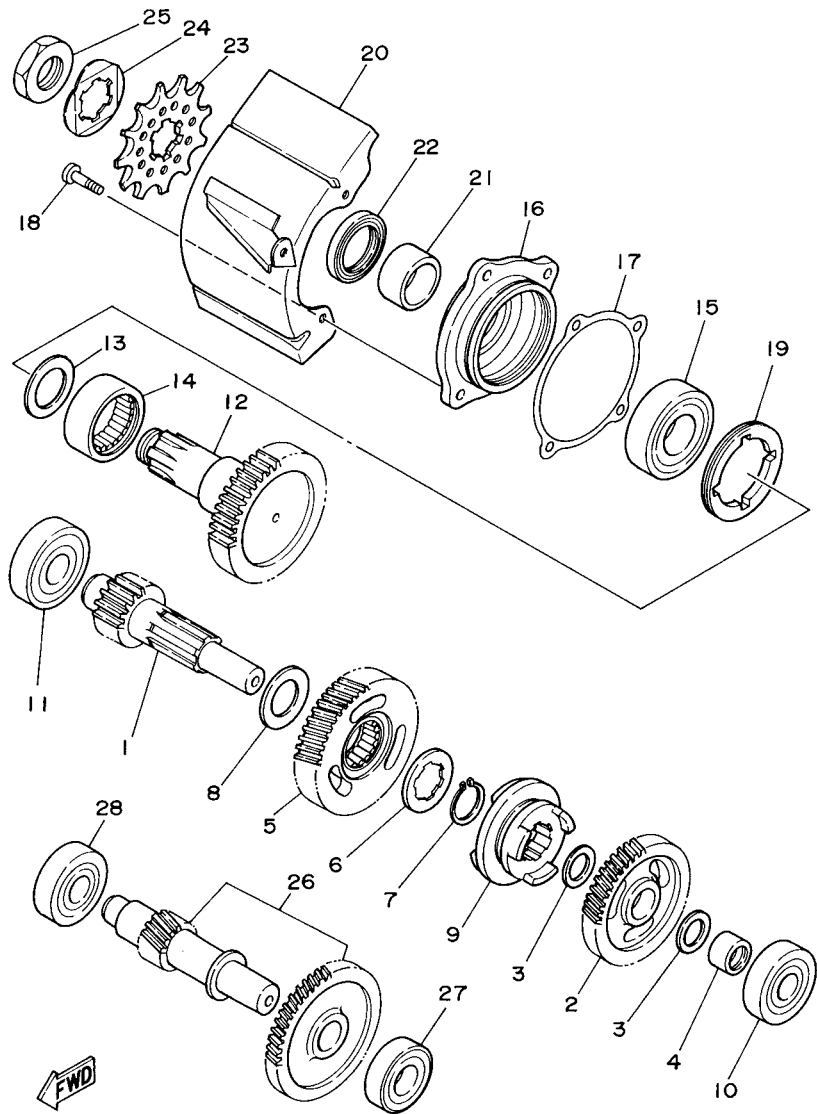


FIG. 13 TRANSMISSION

REF. NO.	PART NO.	DESCRIPTION	USA	CAN	EUR	OCE	JPN	REMARKS
1	3FA-17411-00	AXLE, MAIN (17T)	1	1	1	1	1	
2	3FA-16151-00	GEAR, PRIMARY DRIVEN (43T)	1	1	1	1	1	
3	90201-15700	WASHER, PLATE	2	2	2	2	2	
4	90560-15348	SPACER	1	1	1	1	1	
5	3FA-17270-00	REDUCTION GEAR ASSY (49T)	1	1	1	1	1	
6	90215-22276	WASHER, LOCK	1	1	1	1	1	
7	93410-22039	CIRCLIP	1	1	1	1	1	
8	90201-221M8	WASHER, PLATE	1	1	1	1	1	
9	3FA-17285-00	CLUTCH, DOG	1	1	1	1	1	
10	93306-20201	BEARING	1	1	1	1	1	
11	93306-20401	BEARING	1	1	1	1	1	
12	3FA-17421-00	AXLE, DRIVE (40T)	1	1	1	1	1	
13	90201-252A4	WASHER, PLATE	1	1	1	1	1	
14	93311-43048	BEARING	1	1	1	1	1	
15	93306-20532	BEARING	1	1	1	1	1	
16	3FA-17551-00	HOUSING, BEARING	1	1	1	1	1	
17	3FA-17519-10	GASKET, HOUSING CAP	1	1	1	1	1	
18	91317-06020	BOLT	4	4	4	4	4	
19	90179-55464	NUT	1	1	1	1	1	
20	3FA-17471-01	PLATE, COVER	1	1	1	1	1	
21	90387-251W4	COLLAR	1	1	1	1	1	
22	93102-30243	OIL SEAL	1	1	1	1	1	
23	93834-12016	SPROCKET,DRIVE 12T(38V1746120)	1	1	1	1	1	
24	90215-21239	WASHER, LOCK	1	1	1	1	1	
25	90179-20255	NUT	1	1	1	1	1	
26	3FA-17430-00	COUNTER AXLE ASSY (15T)	1	1	1	1	1	
27	93306-20301	BEARING	1	1	1	1	1	

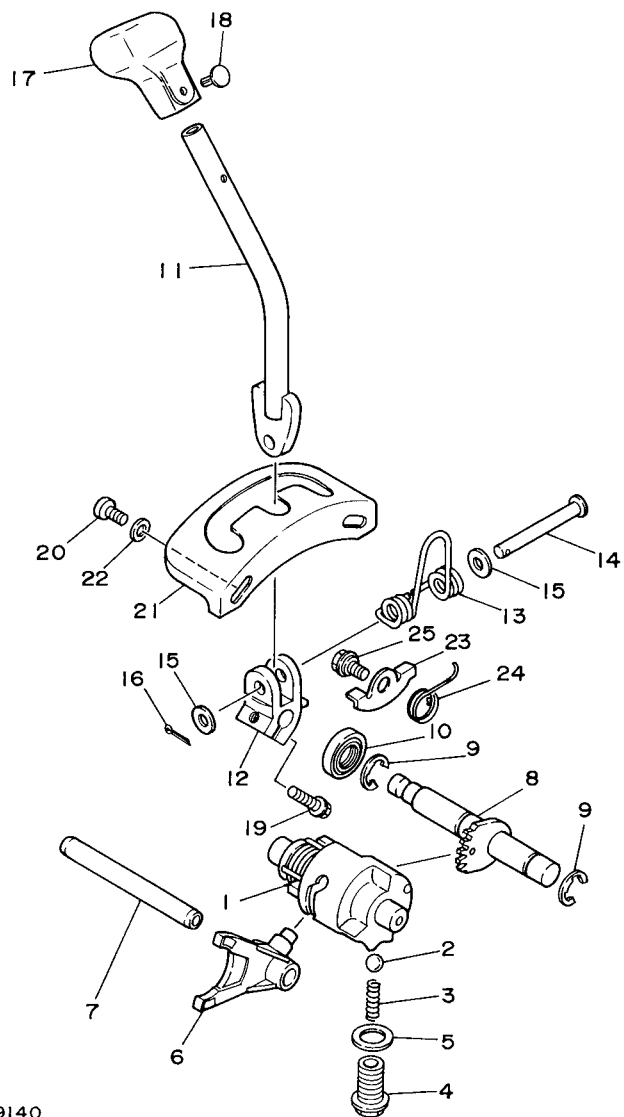
FIG. 13 TRANSMISSION



3FA1110-9130

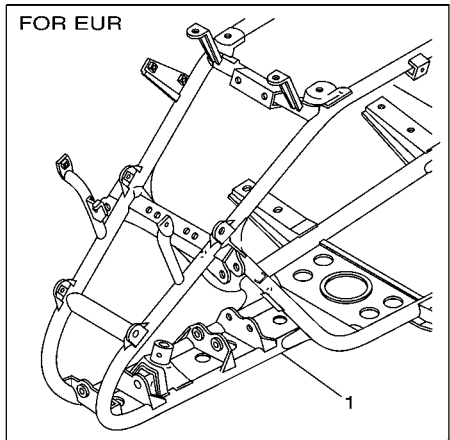
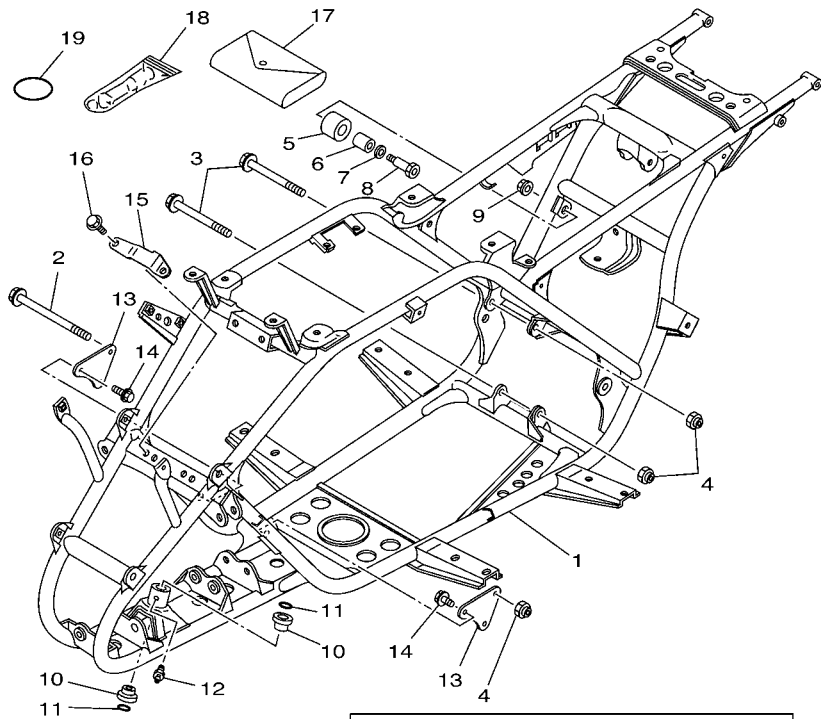
REF. NO.	PART NO.	DESCRIPTION	USA	CAN	EUR	OCE	JPN	REMARKS
28	93306-30201	BEARING	1	1	1	1	1	

FIG. 14 SHIFT CAM & FORK



REF. NO.	PART NO.	DESCRIPTION	USA	CAN	EUR	OCE	JPN	REMARKS
1	3FA-18540-00	SHIFT CAM ASSY	1	1	1	1	1	
2	93503-08007	BALL	1	1	1	1	1	
3	90501-10353	SPRING, COMPRESSION	1	1	1	1	1	
4	90105-14367	BOLT, FLANGE	1	1	1	1	1	
5	90430-14194	GASKET	1	1	1	1	1	
6	4GB-18512-00	FORK, SHIFT 2	1	1	1	1	1	
7	1HX-18535-00	BAR, SHIFT FORK GUIDE 2	1	1	1	1	1	
8	3FA-18101-01	SHIFT SHAFT ASSY	1	1	1	1	1	
9	99001-12600	CIRCLIP	2	2	2	2	2	
10	93102-14209	OIL SEAL	1	1	1	1	1	
11	3FA-18152-00	LEVER, SHIFT 4	1	1	1	1	1	
12	3FA-18164-00	BOSS, SHIFT	1	1	1	1	1	
13	90508-29760	SPRING, TORSION	1	1	1	1	1	
14	91701-08058	PIN, CLEVIS	1	1	1	1	1	
15	92907-08600	WASHER, PLATE	2	2	2	2	2	
16	91401-25015	PIN, COTTER	1	1	1	1	1	
17	3FA-18174-00	KNOB, SHIFT LEVER	1	1	1	1	1	
18	90269-05055	RIVET	1	1	1	1	1	
19	95827-06025	BOLT, FLANGE	1	1	1	1	1	
20	90110-06142	BOLT, HEXAGON SOCKET HEAD	2	2	2	2	2	
21	3FA-18128-00	BRACKET	1	1	1	1	1	
22	92907-06600	WASHER, PLATE	2	2	2	2	2	
23	3FA-18191-00	LEVER	1	1	1	1	1	
24	90508-12761	SPRING, TORSION	1	1	1	1	1	
25	90109-063F7	BOLT	1	1	1	1	1	

3FA1110-9140

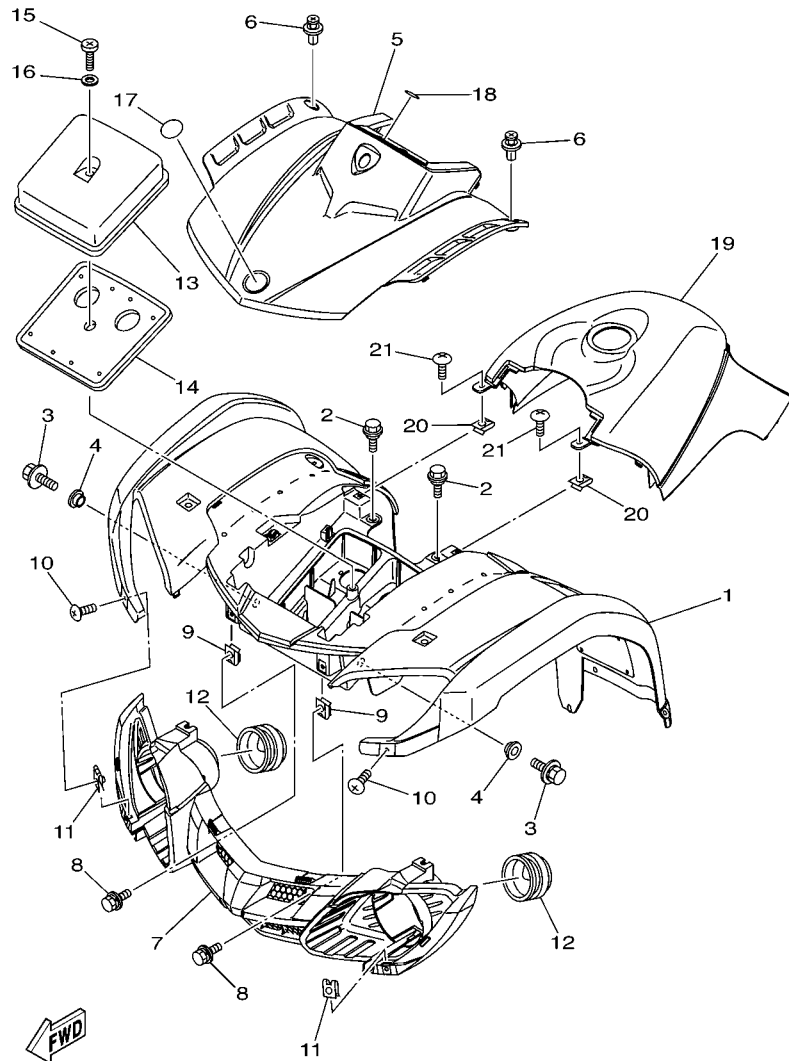



 1C51100-C150

FIG. 15 FRAME

REF. NO.	PART NO.	DESCRIPTION	USA	CAN	EUR	OCE	JPN	REMARKS
1	1C5-21110-20	FRAME COMP.	1	1			1	
	1C5-21110-30	FRAME COMP.			1			
2	90105-10183	BOLT, FLANGE	1	1	1	1	1	
3	90105-10409	BOLT, FLANGE	2	2	2	2	2	
4	90185-10091	NUT, SELF-LOCKING	3	3	3	3	3	
5	10V-22178-00	TENSIONER	1	1	1	1	1	
6	4V4-22184-00	BUSH	1	1	1	1	1	
7	90201-13409	WASHER, PLATE	1	1	1	1	1	
8	90109-08705	BOLT	1	1	1	1	1	
9	90185-08097	NUT, SELF-LOCKING	1	1	1	1	1	
10	90381-15040	BUSH, SOLID	2	2	2	2	2	
11	93210-15414	O-RING	2	2	2	2	2	
12	93700-06004	NIPPLE, GREASE	1	1	1	1	1	
13	3FA-21315-00	STAY, ENGINE 2	2	2	2	2	2	
14	95817-08016	BOLT, FLANGE	4	4	4	4	4	
15	3FA-2115K-00	BRACKET, 1	1	1	1	1	1	
16	95807-06012	BOLT, FLANGE	2	2	2	2	2	
17	3GB-28100-00	TOOL KIT	1	1	1	1	1	
18	1NV-2811A-01	GAUGE, AIR	1	1	1	1	1	
19	93210-41041	O-RING	1	1	1	1	1	

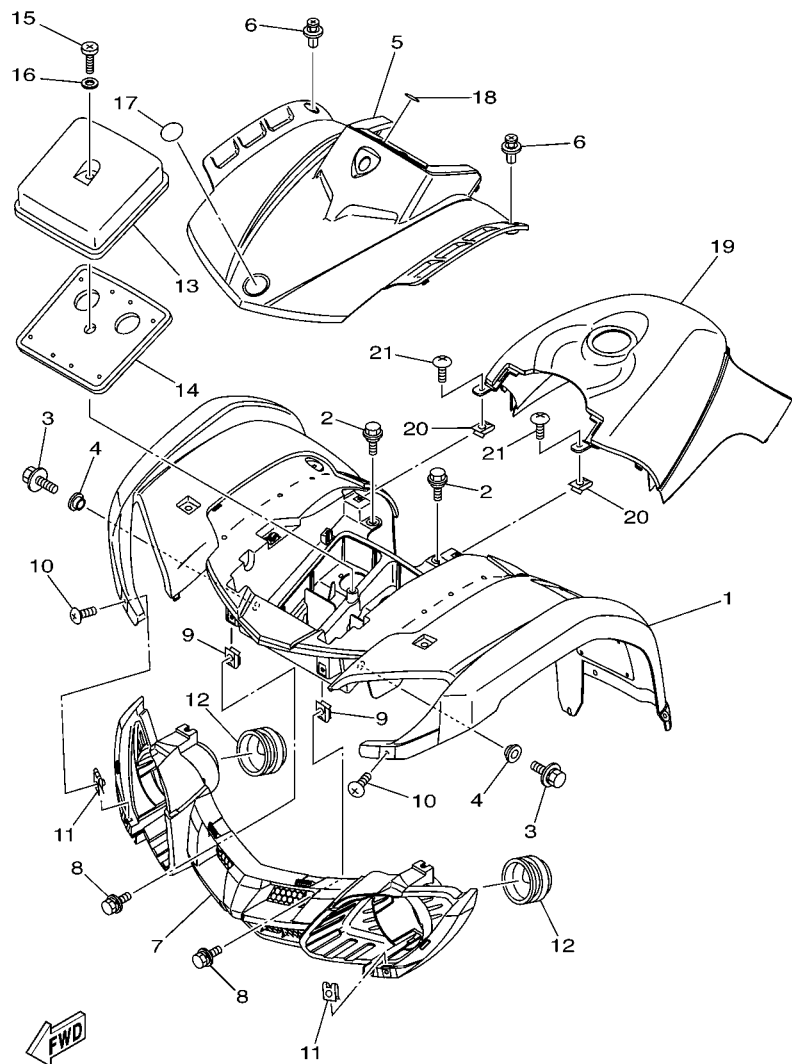
FIG. 16 FRONT FENDER



1C51100-C160

REF. NO.	PART NO.	DESCRIPTION	USA	CAN	EUR	OCE	JPN	REMARKS
1	1C5-W2151-01	FRONT FENDER COMP.	1					UR FOR PDG
	1C5-W2151-11	FRONT FENDER COMP.	1					UR FOR DPBSN
	1C5-W215C-01	FRONT FENDER COMP.2		1				UR FOR PDG
	1C5-W215C-11	FRONT FENDER COMP.2		1				UR FOR DPBSN
	1C5-W215B-00	FRONT FENDER COMP. 2			1			UR FOR PDG
	1C5-W215B-20	FRONT FENDER COMP. 2			1			UR FOR DPBSE
	1C5-W215E-20	FRONT FENDER COMP.				1		FOR DPBSE
	1C5-W215D-00	FRONT FENDER COMP. 2					1	FOR PDG
2	90109-063F1	BOLT	2	2	2	2	2	
3	90119-06096	BOLT, WITH WASHER	2	2	2	2	2	
4	90387-06648	COLLAR	2	2	2	2	2	
5	1C5-23391-00	PANEL, FRONT	1	1	1	1	1	
6	90269-07076	RIVET	2	2	2	2	2	
7	1C5-28309-00	GRILLE, FRONT	1	1	1	1	1	
8	90119-06063	BOLT, WITH WASHER	2	2	2	2	2	
9	90183-06023	NUT, SPRING	2	2	2	2	2	
10	90149-06021	SCREW	2	2	2	2	2	
11	90183-06053	NUT, SPRING	2	2	2	2	2	
12	5GH-28349-00	CAP	2	2	2	2	2	
13	3FA-14422-10	CAP, CLEANER CASE 2	1	1	1	1	1	
14	3FA-14461-00	ELEMENT, AIR CLEANER 2	1	1	1	1	1	
15	98507-05020	SCREW, PAN HEAD	1	1	1	1	1	
16	92907-05600	WASHER, PLATE	1	1	1	1	1	
17	5KM-2175B-00	TUNING FORK MARK	1	1	1	1	1	
18	5GT-2836B-10	TUNING FORK MARK	1	1	1	1	1	
19	1C5-2171A-00	COVER, TOP	1	1	1		1	UR FOR PDG
	1C5-2171A-10	COVER, TOP	1	1				UR FOR DPBSN

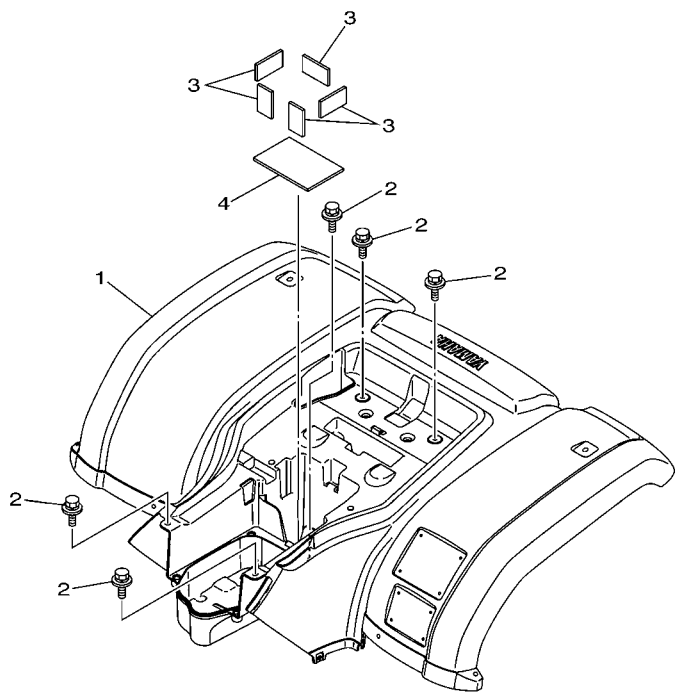
FIG. 16 FRONT FENDER



1C51100-C160

REF. NO.	PART NO.	DESCRIPTION	USA	CAN	EUR	OCE	JPN	REMARKS
19	1C5-2171A-20	COVER, TOP			1	1		UR FOR DPBSE
20	90183-06053	NUT, SPRING	2	2	2	2	2	
21	90149-06021	SCREW	2	2	2	2	2	

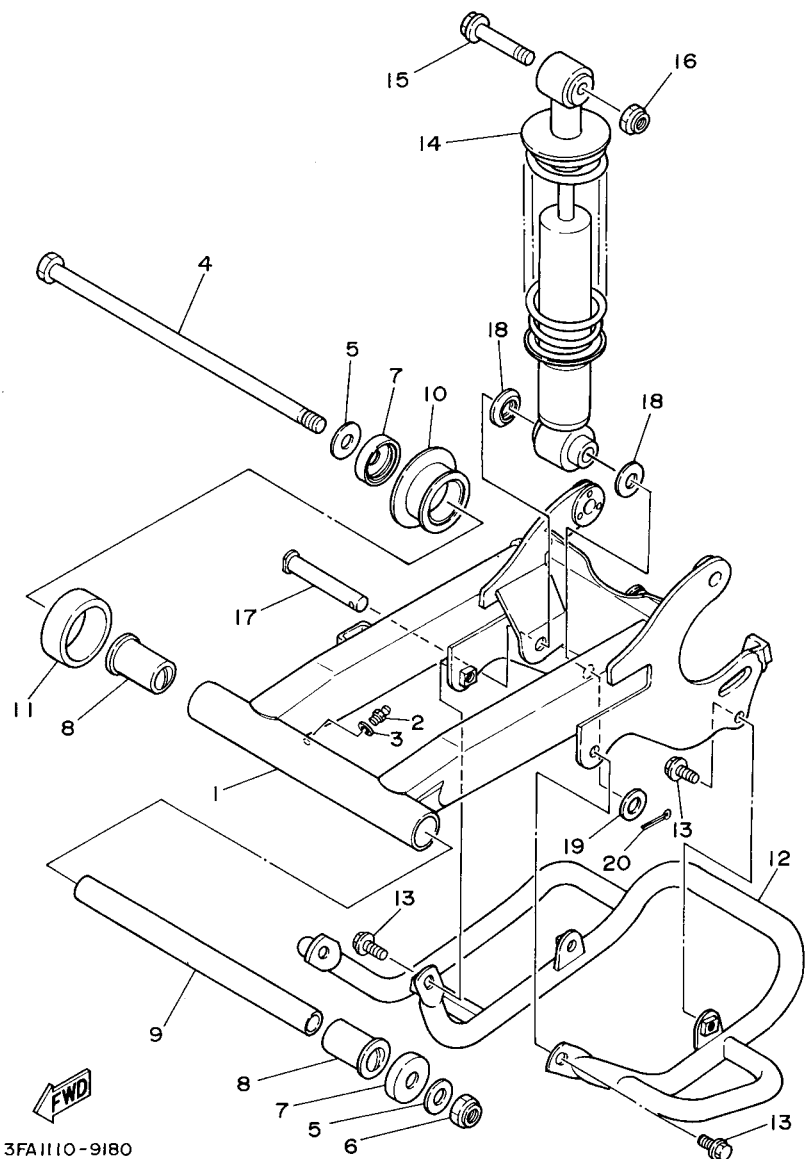
FIG. 17 REAR FENDER



1C51100-C170

REF. NO.	PART NO.	DESCRIPTION	USA	CAN	EUR	OCE	JPN	REMARKS
1	1C5-W2161-00	REAR FENDER COMP.	1				1	UR FOR PDG
	1C5-W2161-10	REAR FENDER COMP.	1					UR FOR DPBSN
	1C5-W216C-00	REAR FENDER COMP.2		1				UR FOR PDG
	1C5-W216C-10	REAR FENDER COMP.2		1				UR FOR DPBSN
	1C5-W216B-00	REAR FENDER COMP.2			1			UR FOR PDG
	1C5-W216B-20	REAR FENDER COMP.2			1			UR FOR DPBSE
	1C5-W2161-20	REAR FENDER COMP.				1		FOR DPBSE
2	90119-06056	BOLT, WITH WASHER	5	5	5	5	5	
3	29W-82123-00	SEAT, BATTERY	5	5	5	5	5	
4	1UY-21639-00	DAMPER 2	1	1	1	1	1	

FIG. 18 REAR ARM & SUSPENSION



REF. NO.	PART NO.	DESCRIPTION	USA	CAN	EUR	OCE	JPN	REMARKS
1	3FA-22110-00-33	REAR ARM COMP.	1	1	1	1	1	YB
2	93700-06004	NIPPLE, GREASE	1	1	1	1	1	
3	92907-06200	WASHER	1	1	1	1	1	
4	2JX-22141-00	SHAFT, PIVOT	1	1	1	1	1	
5	90201-126A7	WASHER, PLATE	2	2	2	2	2	
6	90185-12134	NUT, SELF-LOCKING	1	1	1	1	1	
7	401-22128-01	COVER, THRUST 1	2	2	2	2	2	
8	90386-18028	BUSH	2	2	2	2	2	
9	3FA-22126-00	COLLAR, DISTANCE	1	1	1	1	1	
10	2A6-22151-00	SEAL, GUARD	1	1	1	1	1	
11	2A6-22152-00	SEAL, GUARD	1	1	1	1	1	
12	3FA-2219X-00	COVER	1	1	1	1	1	
13	95827-08016	BOLT, FLANGE	5	5	5	5	5	
14	3FA-22210-00-33	SHOCK ABSORBER ASSY, REAR	1	1	1	1	1	YB
15	90105-10388	BOLT, FLANGE	1	1	1	1	1	
16	90185-10091	NUT, SELF-LOCKING	1	1	1	1	1	
17	90240-12092	PIN, CLEVIS	1	1	1	1	1	
18	1W1-22128-00	COVER, THRUST 1	2	2	2	2	2	
19	90201-12749	WASHER, PLATE	1	1	1	1	1	
20	91401-30025	PIN, SPLIT	1	1	1	1	1	

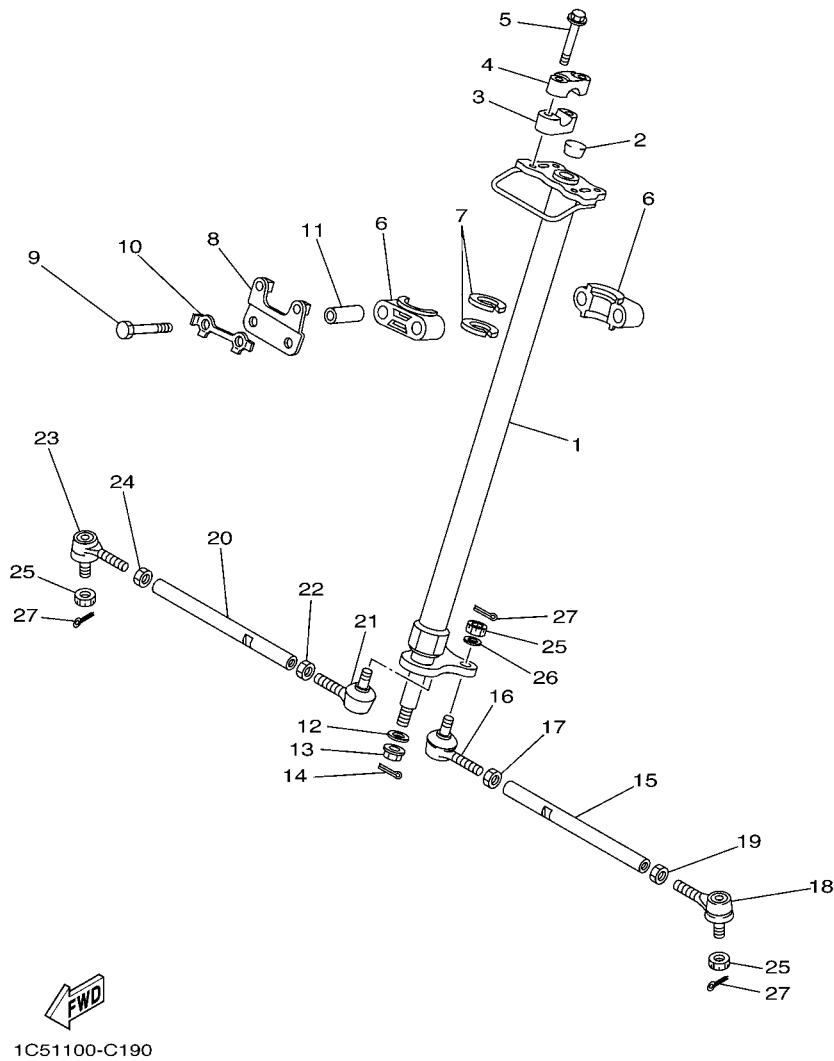
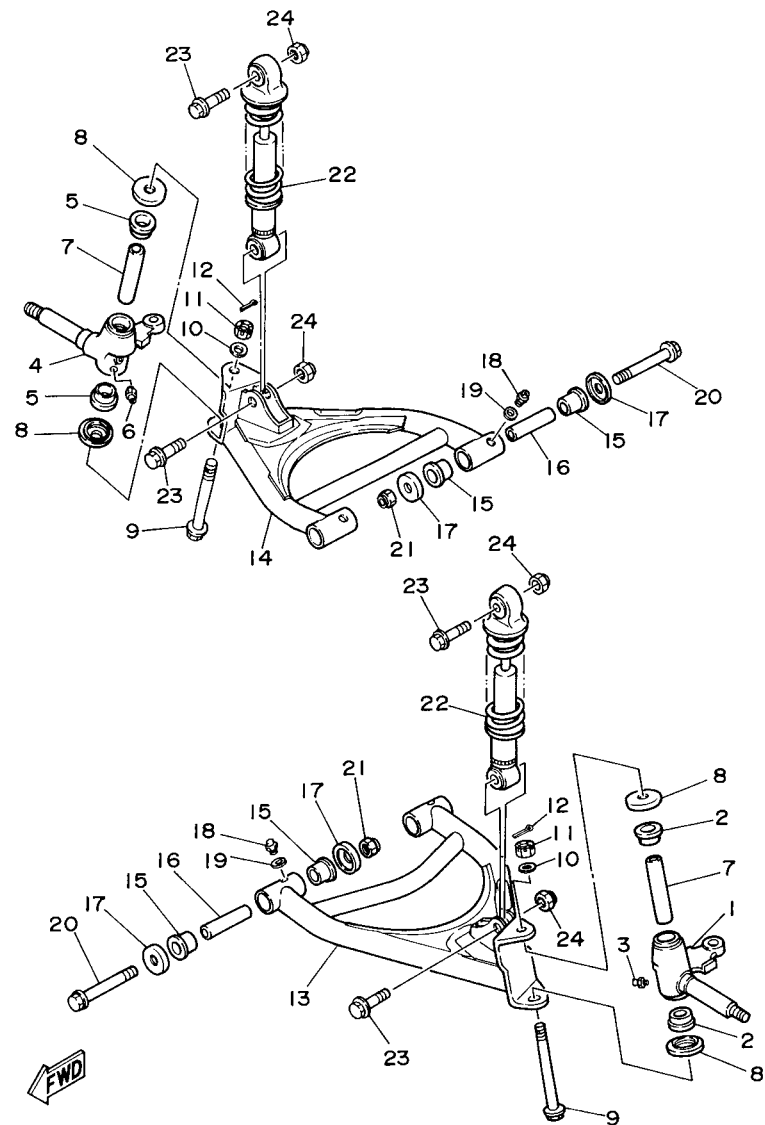


FIG. 19 STEERING

REF. NO.	PART NO.	DESCRIPTION	USA	CAN	EUR	OCE	JPN	REMARKS
1	1C5-23813-00	COLUMN, STEERING 2	1	1	1	1	1	
2	90336-22056	PLUG, TAPER	1	1	1	1	1	
3	2HR-23442-00	HOLDER, HANDLE LOWER	2	2	2	2	2	
4	8K1-23814-00	HOLDER, HANDLE	2	2	2	2	2	
5	95827-08050	BOLT, FLANGE	4	4	4	4	4	
6	1UY-23812-00	PLANE BEARING, STEERING	2	2	2	2	2	
7	93112-31011	OIL SEAL	2	2	2	2	2	
8	3FA-23868-20	BRACKET, STEERING LOWER	1	1	1	1	1	
9	97027-08060	BOLT	2	2	2	2	2	
10	1UY-23894-01	WASHER, LOCK 1	1	1	1	1	1	
11	90387-090R0	COLLAR	2	2	2	2	2	
12	90201-10774	WASHER, PLATE	1	1	1	1	1	
13	90185-10115	NUT, SELF-LOCKING	1	1	1	1	1	
14	91401-20020	PIN, COTTER	1	1	1	1	1	
15	3FA-23831-10	ROD, TIE	1	1	1	1	1	
16	1UY-23841-01	JOINT, UNIVERSAL 1	1	1	1	1	1	
17	95307-10700	NUT	1	1	1	1	1	
18	1UY-23845-01	JOINT, UNIVERSAL 2	1	1	1	1	1	
19	90170-10186	NUT	1	1	1	1	1	(L.H. THREAD)
20	3FA-23831-10	ROD, TIE	1	1	1	1	1	
21	1UY-23841-01	JOINT, UNIVERSAL 1	1	1	1	1	1	
22	95307-10700	NUT	1	1	1	1	1	
23	1UY-23845-01	JOINT, UNIVERSAL 2	1	1	1	1	1	
24	90170-10186	NUT	1	1	1	1	1	(L.H. THREAD)
25	90171-10046	NUT, CASTLE	4	4	4	4	4	
26	92990-10600	WASHER, PLATE	2	2	2	2	2	
27	91401-20020	PIN, COTTER	4	4	4	4	4	

FIG. 20 FRONT SUSPENSION & WHEEL



3FA1110-9190

REF. NO.	PART NO.	DESCRIPTION	USA	CAN	EUR	OCE	JPN	REMARKS
1	3FA-23511-01	KNUCKLE, STEERING 1	1	1	1	1	1	
2	90381-17067	BUSH, SOLID	2	2	2	2	2	
3	93700-06004	NIPPLE, GREASE	1	1	1	1	1	
4	3FA-23521-01	KNUCKLE, STEERING 2	1	1	1	1	1	
5	90381-17067	BUSH, SOLID	2	2	2	2	2	
6	93700-06004	NIPPLE, GREASE	1	1	1	1	1	
7	3GB-23448-00	SPACER	2	2	2	2	2	
8	2NL-23517-00	COVER, THRUST 1	4	4	4	4	4	
9	90109-104A8	BOLT	2	2	2	2	2	
10	90201-08759	WASHER, PLATE	2	2	2	2	2	
11	90171-10004	NUT, CASTLE	2	2	2	2	2	
12	91401-20020	PIN, COTTER	2	2	2	2	2	
13	3FA-23570-00-33	FRONT LOWER ARM COMP. (LEFT)	1	1	1	1	1	YB
14	3FA-23580-00-33	FRONT LOWER ARM COMP. (RIGHT)	1	1	1	1	1	YB
15	90381-15088	BUSH, SOLID	8	8	8	8	8	
16	90387-101R3	COLLAR	4	4	4	4	4	
17	1UY-23517-00	COVER, THRUST 1	8	8	8	8	8	
18	93700-06004	NIPPLE, GREASE	4	4	4	4	4	
19	92907-06200	WASHER	4	4	4	4	4	
20	90105-10727	BOLT, FLANGE	4	4	4	4	4	
21	90185-10091	NUT, SELF-LOCKING	4	4	4	4	4	
22	3FA-23350-00-33	SHOCK ABSORBER ASSY	2	2	2	2	2	YB
23	90105-10561	BOLT, FLANGE	4	4	4	4	4	
24	90185-10091	NUT, SELF-LOCKING	4	4	4	4	4	

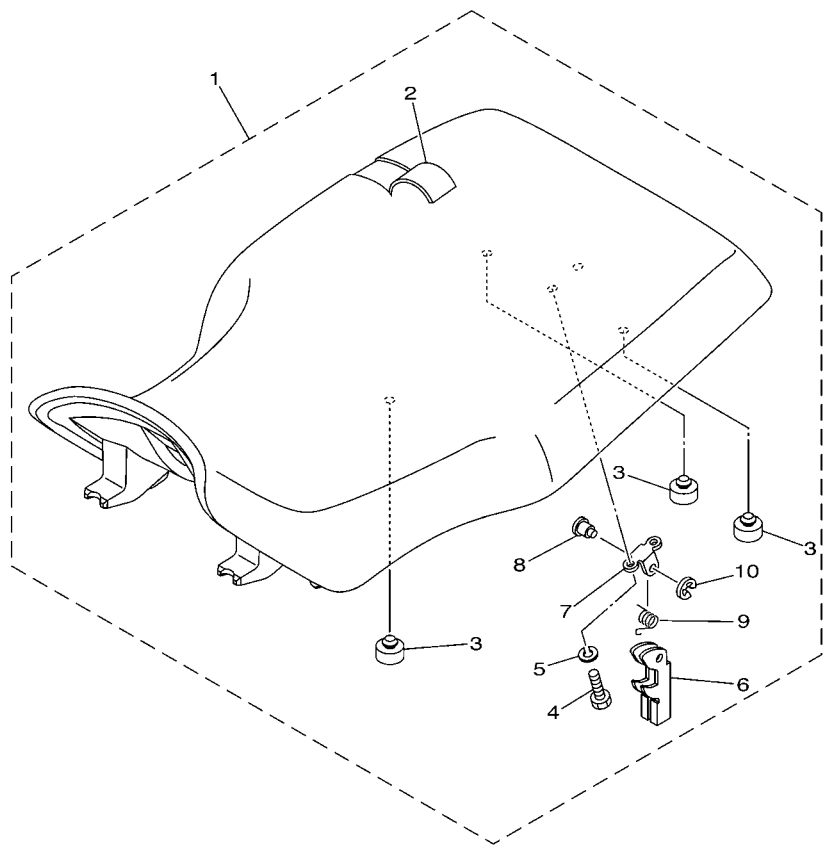
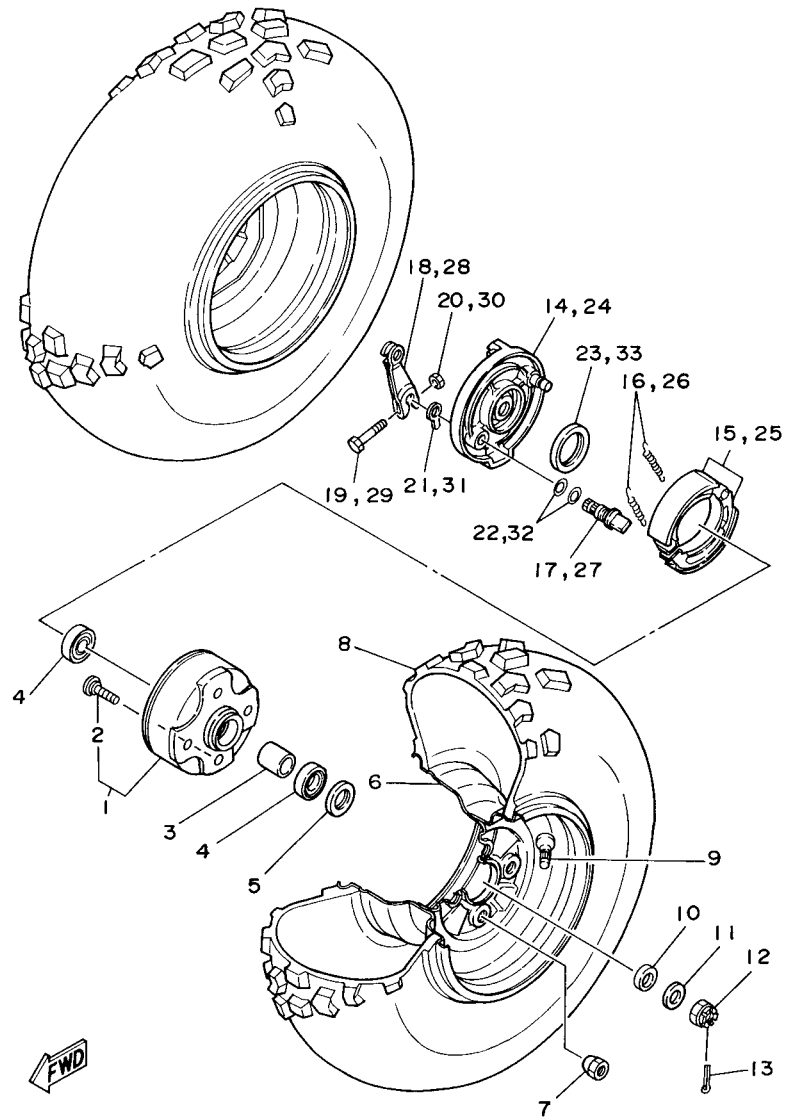


FIG. 22 SEAT

REF. NO.	PART NO.	DESCRIPTION	USA	CAN	EUR	OCE	JPN	REMARKS
1	1C5-24710-00	SINGLE SEAT ASSY	1	1	1	1	1	
2	1C5-24731-00	.COVER, SEAT	1	1	1	1	1	
3	371-27114-00	.STOPPER, MAIN STAND	3	3	3	3	3	
4	97007-06012	.BOLT	2	2	2	2	2	
5	92907-06100	.WASHER, SPRING	2	2	2	2	2	
6	29U-24776-00	.LEVER, SEAT	1	1	1	1	1	
7	4K0-24775-00	.BRACKET, SEAT LEVER	1	1	1	1	1	
8	4K0-24774-01	.PIN	1	1	1	1	1	
9	90508-20779	.SPRING, TORSION	1	1	1	1	1	
10	99001-04600	.CIRCLIP	1	1	1	1	1	



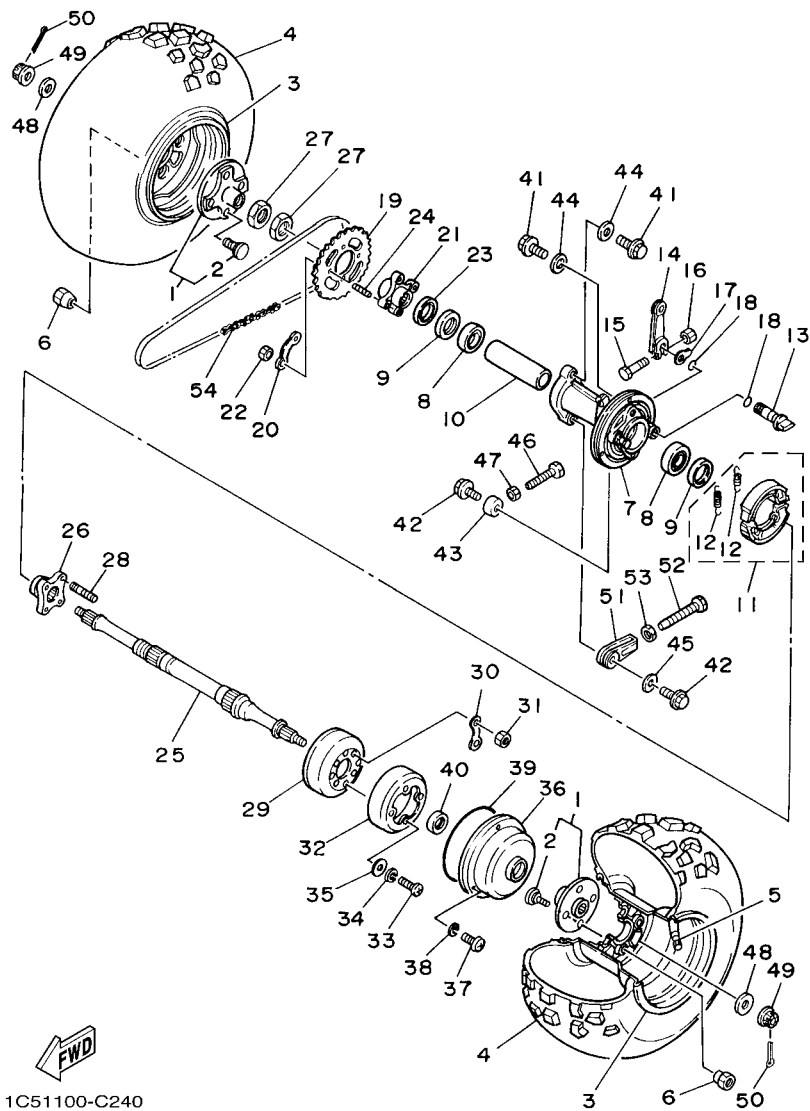
1C51100-C220



3FAK100-8230

FIG. 23 FRONT WHEEL

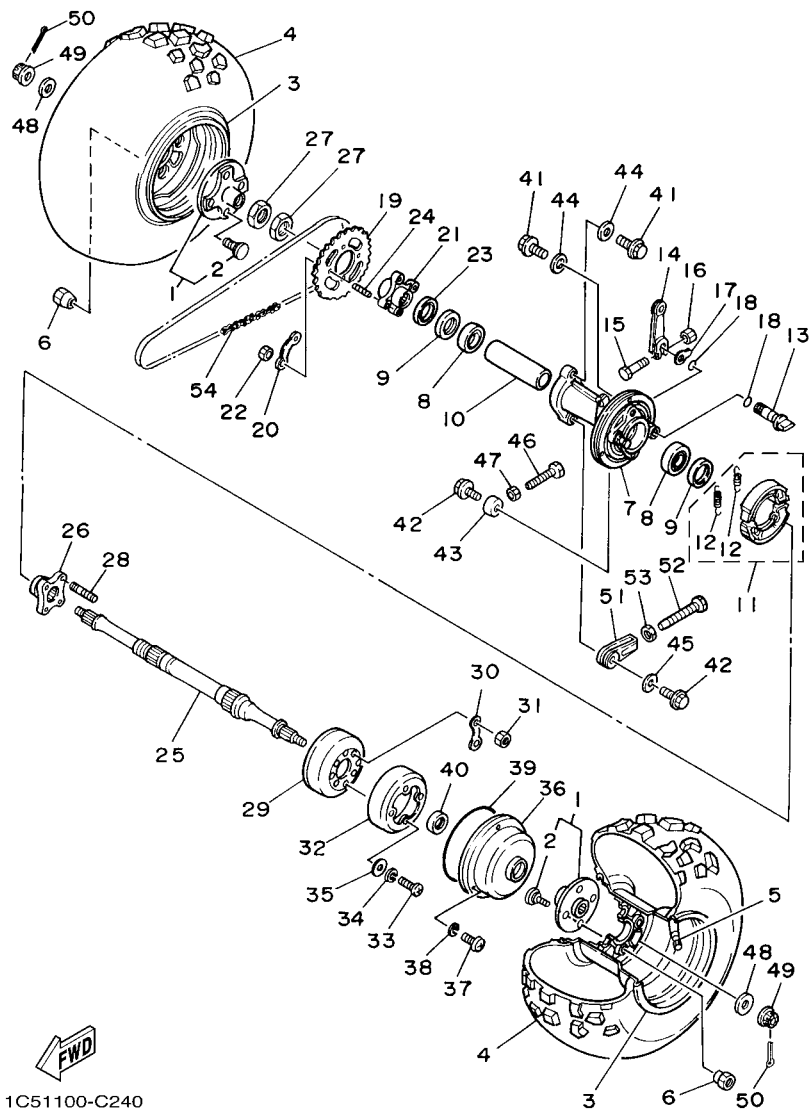
REF. NO.	PART NO.	DESCRIPTION	USA	CAN	EUR	OCE	JPN	REMARKS
1	3FA-25111-00	HUB, FRONT	2	2	2	2	2	
2	90114-10010	.BOLT, SERRATION	4	4	4	4	4	
3	3FA-25117-00	SPACER, BEARING	2	2	2	2	2	
4	93306-00308	BEARING	4	4	4	4	4	
5	93102-23275	OIL SEAL	2	2	2	2	2	
6	3FA-25180-00-35	WHEEL COMP.	2	2	2	2	2	SL
7	90179-10540	NUT	8	8	8	8	8	
8	94107-086W7	TIRE (AT20X7-8*KT536A T/L N)	2	2	2	2	2	DUNLOP
9	93900-00022	VALVE, RIM (TR413)	2	2	2	2	2	TAIHEIYO
10	90387-175R2	COLLAR	2	2	2	2	2	
11	90201-14586	WASHER, PLATE	2	2	2	2	2	
12	90171-14020	NUT, CASTLE	2	2	2	2	2	
13	91401-30025	PIN, SPLIT	2	2	2	2	2	
14	3FA-25121-00	PLATE, BRAKE SHOE	1	1	1	1	1	FOR LH
15	4BE-W2536-00	BRAKE SHOE SET	1	1	1	1	1	
16	90506-15260	SPRING, TENSION	2	2	2	2	2	
17	5G3-25351-02	CAMSHAFT	1	1	1	1	1	
18	3FA-25155-00	LEVER, CAMSHAFT 1	1	1	1	1	1	FOR LH
19	90101-06278	BOLT	1	1	1	1	1	
20	95307-06600	NUT	1	1	1	1	1	
21	52H-2513A-00	PLATE, INDICATOR	1	1	1	1	1	
22	93210-12327	O-RING	2	2	2	2	2	
23	93102-40367	OIL SEAL	1	1	1	1	1	
24	3FA-25169-00	PLATE, BRAKE SHOE 2	1	1	1	1	1	FOR RH
25	4BE-W2536-00	BRAKE SHOE SET	1	1	1	1	1	
26	90506-15260	SPRING, TENSION	2	2	2	2	2	
27	5G3-25351-02	CAMSHAFT	1	1	1	1	1	



1C51100-C240

FIG. 24 REAR WHEEL

REF. NO.	PART NO.	DESCRIPTION	USA	CAN	EUR	OCE	JPN	REMARKS
1	3FA-25383-00	COLLAR, WHEEL	2	2	2	2	2	
2	90114-10010	.BOLT, SERRATION	4	4	4	4	4	
3	3FA-25390-00-35	REAR WHEEL COMP.	2	2	2	2	2	SL
4	94110-086W8	TIRE (AT22X10-8*KT537A T/L N)	2	2	2	2	2	DUNLOP
5	93900-00022	VALVE, RIM (TR413)	2	2	2	2	2	TAIHEIYO
6	90179-10540	NUT	8	8	8	8	8	
7	3FA-25311-00	HUB, REAR	1	1	1	1	1	
8	93306-00705	BEARING	2	2	2	2	2	
9	93102-42260	OIL SEAL	2	2	2	2	2	
10	3FA-25317-00	SPACER, BEARING	1	1	1	1	1	
11	3FA-W253A-00	BRAKE SHOE KIT	1	1	1	1	1	
12	90506-15260	.SPRING, TENSION	2	2	2	2	2	
13	55X-25351-00	CAMSHAFT	1	1	1	1	1	
14	2N3-25155-00	LEVER, CAMSHAFT 1	1	1	1	1	1	
15	90101-06278	BOLT	1	1	1	1	1	
16	95307-06600	NUT	1	1	1	1	1	
17	23F-2533A-00	PLATE, INDICATOR	1	1	1	1	1	
18	93210-14104	O-RING	2	2	2	2	2	
19	3FA-25432-20	SPROCKET, DRIVEN (32T)	1	1	1	1	1	
20	10V-25412-00	WASHER	2	2	2	2	2	
21	3FA-25386-00	COLLAR, SPROCKET AXLE	1	1	1	1	1	
22	90170-10219	NUT	4	4	4	4	4	
23	5V6-25367-00	COVER, HUB DUST	1	1	1	1	1	
24	90116-10483	BOLT, STUD	4	4	4	4	4	
25	3FA-25381-00	AXLE, WHEEL	1	1	1	1	1	
26	3FA-25343-00	BOSS	1	1	1	1	1	
27	90170-33376	NUT	2	2	2	2	2	



1C51100-C240

FIG. 24 REAR WHEEL

REF. NO.	PART NO.	DESCRIPTION	USA	CAN	EUR	OCE	JPN	REMARKS
28	90116-08507	BOLT, STUD	4	4	4	4	4	
29	3FA-2531E-00	DRUM, BRAKE	1	1	1	1	1	
30	390-25412-01	WASHER	2	2	2	2	2	
31	95307-08600	NUT	4	4	4	4	4	
32	3FA-25336-00	RING 2	1	1	1	1	1	
33	98507-05010	SCREW, PAN HEAD	4	4	4	4	4	
34	92907-05100	WASHER, SPRING	4	4	4	4	4	
35	92907-05600	WASHER, PLATE	4	4	4	4	4	
36	55X-25715-00	COVER 1	1	1	1	1	1	
37	98507-06012	SCREW, PAN HEAD	3	3	3	3	3	
38	92907-06100	WASHER, SPRING	3	3	3	3	3	
39	93211-63688	O-RING	1	1	1	1	1	
40	93102-35349	OIL SEAL	1	1	1	1	1	
41	90105-12573	BOLT, FLANGE	2	2	2	2	2	
42	90105-10585	BOLT, FLANGE	2	2	2	2	2	
43	90387-113W0	COLLAR	1	1	1	1	1	
44	90201-120A5	WASHER, PLATE	2	2	2	2	2	
45	90201-106F2	WASHER, PLATE	1	1	1	1	1	
46	90101-08034	BOLT	1	1	1	1	1	
47	95307-08600	NUT	1	1	1	1	1	
48	90201-14226	WASHER, PLATE	2	2	2	2	2	
49	90171-14037	NUT, CASTLE	2	2	2	2	2	
50	91401-30030	PIN, COTTER	2	2	2	2	2	
51	1UY-25388-00	PULLER, CHAIN 1	1	1	1	1	1	
52	90101-08647	BOLT	1	1	1	1	1	
53	95307-08600	NUT	1	1	1	1	1	
54	94582-02074	CHAIN (DID520V 74L)	1	1	1	1	1	

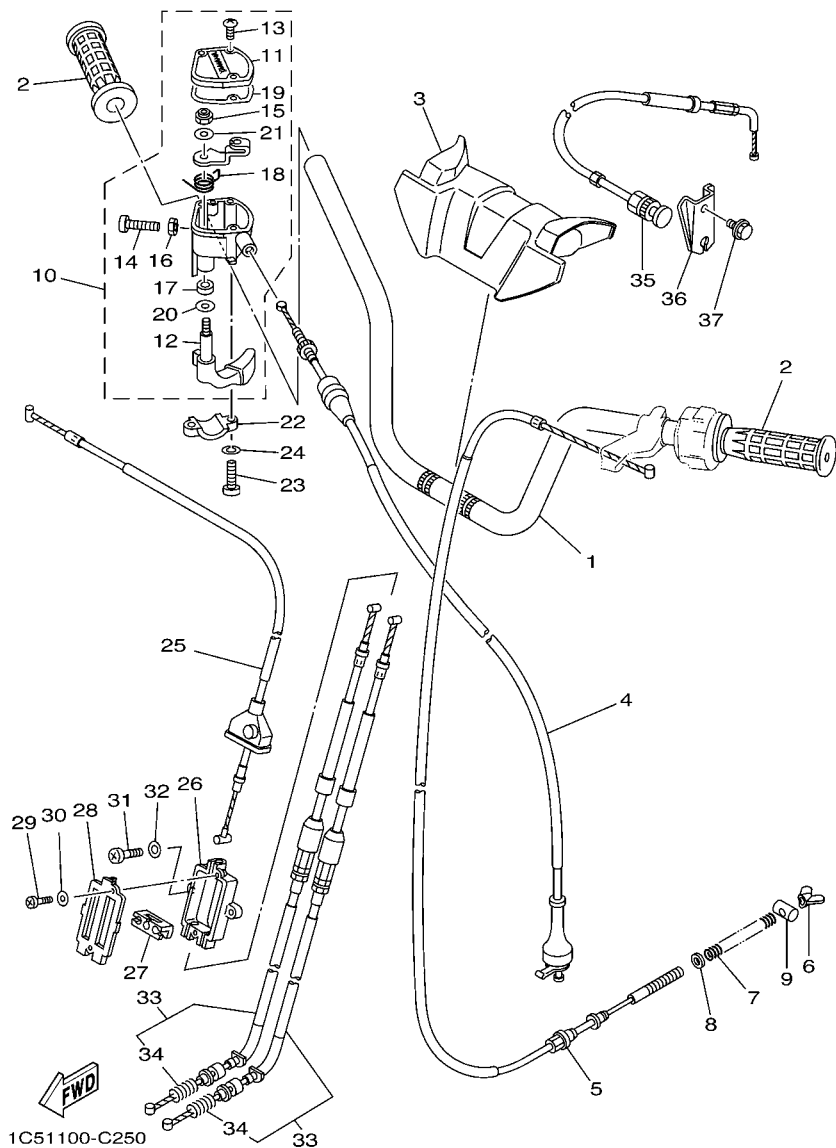
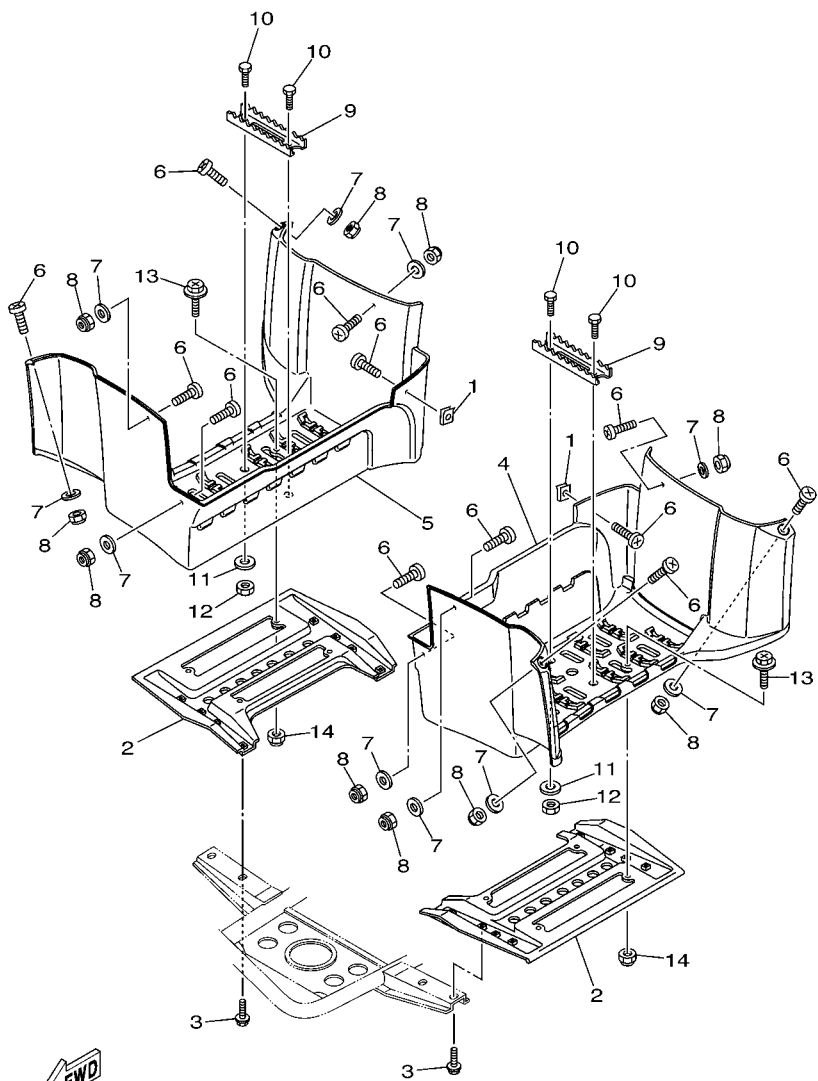


FIG. 25 STEERING HANDLE & CABLE

REF. NO.	PART NO.	DESCRIPTION	USA	CAN	EUR	OCE	JPN	REMARKS
1	3FA-26111-00	HANDLEBAR	1	1	1	1	1	
2	3GB-26241-00	GRIP	2	2	2	2	2	
3	1C5-26124-00	PROTECTOR, HANDLEBAR	1	1	1	1	1	
4	3FA-26311-10	CABLE, THROTTLE 1	1	1	1	1	1	
5	3FA-26351-03	CABLE, BRAKE	1	1	1	1	1	
6	90175-06013	NUT, WING	1	1	1	1	1	
7	90501-122E1	SPRING, COMPRESSION	1	1	1	1	1	
8	90202-08175	WASHER, PLATE	1	1	1	1	1	
9	90249-12008	PIN	1	1	1	1	1	
10	4KB-26250-10	THROTTLE LEVER ASSY	1	1	1	1	1	
11	4KB-2628F-10	.CAP, GEAR	1	1	1	1	1	
12	1NV-2625G-01	.LEVER, THROTTLE	1	1	1	1	1	
13	90149-04278	.SCREW	3	3	3	3	3	
14	98507-05020	.SCREW, PAN HEAD	1	1	1	1	1	
15	95607-05100	.NUT, U	1	1	1	1	1	
16	95307-05700	.NUT	1	1	1	1	1	
17	93104-09025	.OIL SEAL	1	1	1	1	1	
18	1NV-26304-00	.SPRING	1	1	1	1	1	
19	4KB-2628G-00	.GASKET	1	1	1	1	1	
20	1NV-26129-00	.WASHER	1	1	1	1	1	
21	1NV-26398-00	.WASHER	1	1	1	1	1	
22	4V4-82913-00	HOLDER, LEVER LOWER 1	1	1	1	1	1	
23	98507-05020	SCREW, PAN HEAD	2	2	2	2	2	
24	92907-05100	WASHER, SPRING	2	2	2	2	2	
25	3FA-26373-00	CABLE, BRAKE 4	1	1	1	1	1	
26	52H-26371-00	HOUSING, BRAKE LINK	1	1	1	1	1	
27	52H-26347-01	JOINT, CABLE	1	1	1	1	1	

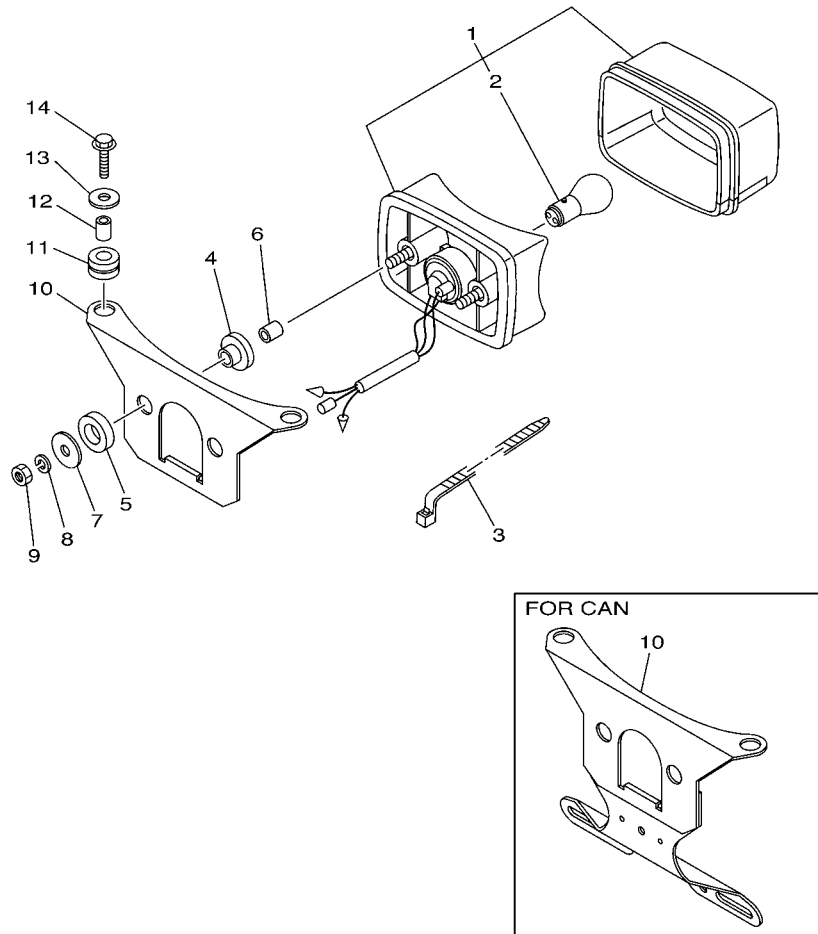
FIG. 26 STAND & FOOTREST



1C51100-C260

REF. NO.	PART NO.	DESCRIPTION	USA	CAN	EUR	OCE	JPN	REMARKS
1	90183-06053	NUT, SPRING	2	2	2	2	2	
2	3FA-27411-10	FOOTREST 1	2	2	2	2	2	
3	95817-08014	BOLT, FLANGE	8	8	8	8	8	
4	1C5-27453-00	COVER 1	1	1	1	1	1	
5	1C5-27463-00	COVER 2	1	1	1	1	1	
6	98907-06020	SCREW, BIND	12	12	12	12	12	
7	90201-062A8	WASHER, PLATE	10	10	10	10	10	
8	95707-06300	NUT, FLANGE	10	10	10	10	10	
9	5GH-2741A-00	ARM 1	2	2	2	2	2	
10	90109-063F5	BOLT	4	4	4	4	4	
11	90201-06071	WASHER, PLATE	4	4	4	4	4	
12	95317-06600	NUT	4	4	4	4	4	
13	90119-05020	BOLT, WITH WASHER	8	8	8	8	8	
14	95707-05300	NUT, FLANGE	8	8	8	8	8	

FIG. 31 TAILLIGHT

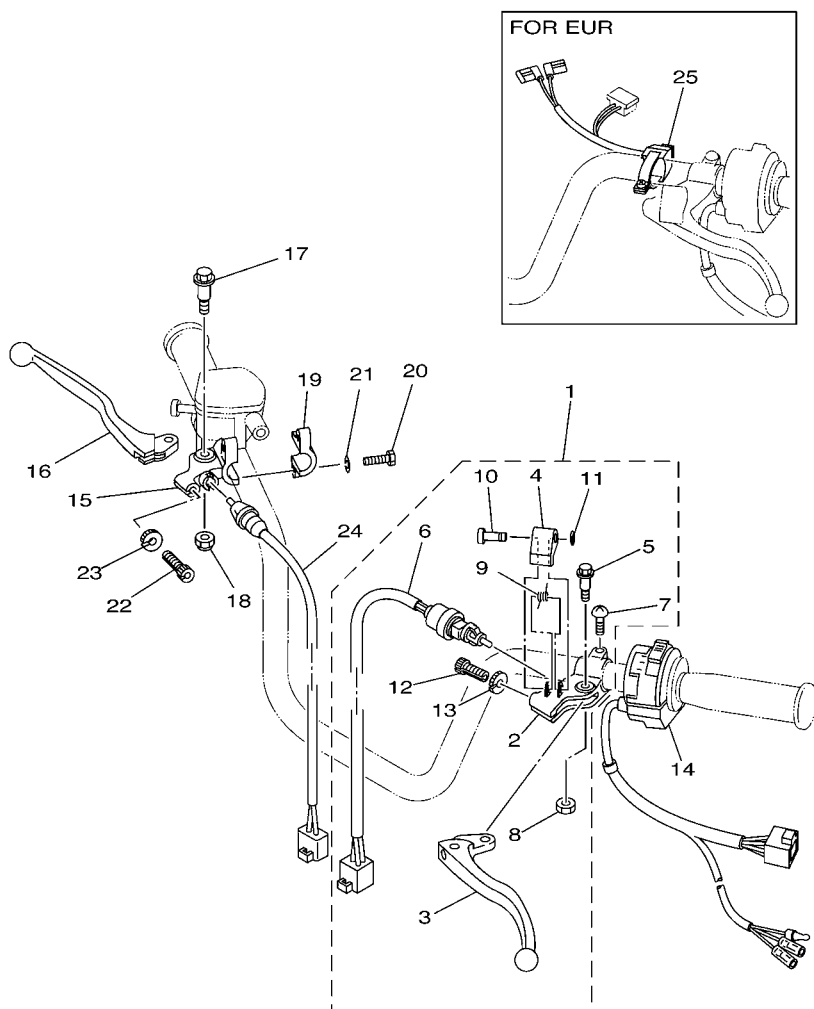


REF. NO.	PART NO.	DESCRIPTION	USA	CAN	EUR	OCE	JPN	REMARKS
1	3FA-84710-00	TAILLIGHT UNIT ASSY	1	1	1	1	1	
2	1A2-84714-41	.BULB (12V-21/5W)	1	1	1	1	1	
3	90464-15195	CLAMP	1	1	1	1	1	
4	90480-14088	GROMMET	2	2	2	2	2	
5	90202-14077	WASHER, PLATE	2	2	2	2	2	
6	90387-06595	COLLAR	2	2	2	2	2	
7	90201-06074	WASHER, PLATE	2	2	2	2	2	
8	92907-06100	WASHER, SPRING	2	2	2	2	2	
9	95307-06600	NUT	2	2	2	2	2	
10	3FA-84702-10	BRACKET, TAILLIGHT	1	1	1	1	1	
	3FA-84702-20	BRACKET, TAILLIGHT		1				
11	90480-14555	GROMMET	2	2	2	2	2	
12	90387-065L7	COLLAR	2	2	2	2	2	
13	90201-06071	WASHER, PLATE	2	2	2	2	2	
14	95807-06025	BOLT, FLANGE	2	2	2	2	2	



1C51100-C310

FIG. 32 HANDLE SWITCH & LEVER




1C51100-C320

REF. NO.	PART NO.	DESCRIPTION	USA	CAN	EUR	OCE	JPN	REMARKS
1	3FA-82910-23	LEVER HOLDER ASSY (LEFT)	1	1	1	1	1	
2	3FA-82911-01	.HOLDER, LEVER 1	1	1	1	1	1	
3	2HT-83912-00	.LEVER 1	1	1	1	1	1	
4	3FA-83965-00	.LEVER, LOCK	1	1	1	1	1	
5	90109-06799	.BOLT	1	1	1	1	1	
6	3FA-83980-03	.FRONT STOP SWITCH ASSY	1	1	1	1	1	
7	98507-06020	.SCREW, PAN HEAD	1	1	1	1	1	
8	95607-06100	.NUT, U	1	1	1	1	1	
9	3FA-83966-00	.SPRING, RETURN	1	1	1	1	1	
10	3FA-83967-00	.PIN, LOCK 1	1	1	1	1	1	
11	3FA-26466-00	.RING, SNAP	1	1	1	1	1	
12	90123-08046	.BOLT	1	1	1	1	1	
13	90179-08148	.NUT	1	1	1	1	1	
14	4KB-83973-00	SWITCH, HANDLE 3	1	1	1	1	1	
15	3JN-82921-00	HOLDER, LEVER 2	1	1	1	1	1	
16	59V-83922-00	LEVER 2	1	1	1	1	1	
17	90109-06799	BOLT	1	1	1	1	1	
18	95607-06100	NUT, U	1	1	1	1	1	
19	2XJ-82913-00	HOLDER, LEVER LOWER 1	1	1	1	1	1	
20	97027-06025	BOLT	2	2	2	2	2	
21	92907-06100	WASHER, SPRING	2	2	2	2	2	
22	90123-08046	BOLT	1	1	1	1	1	
23	90179-08148	NUT	1	1	1	1	1	
24	3FA-83980-10	FRONT STOP SWITCH ASSY	1	1	1	1	1	
25	1C5-83976-00	SWITCH, HANDLE 1			1			

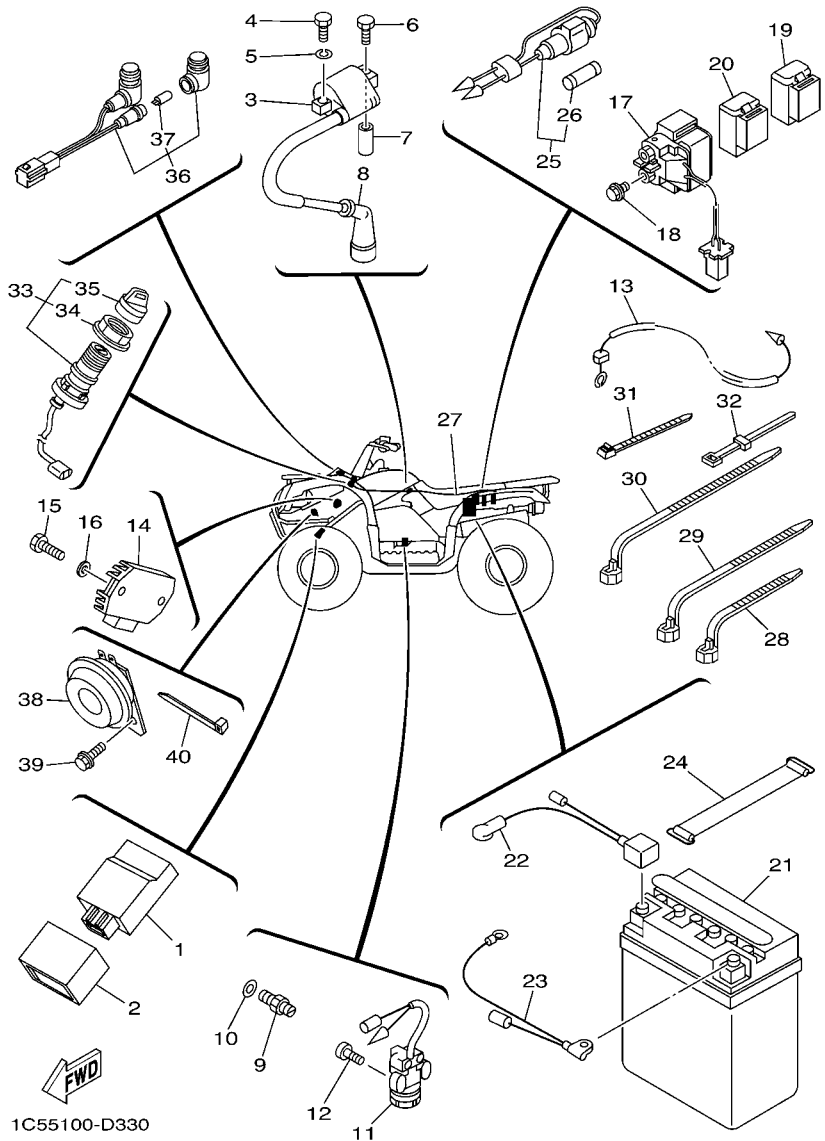
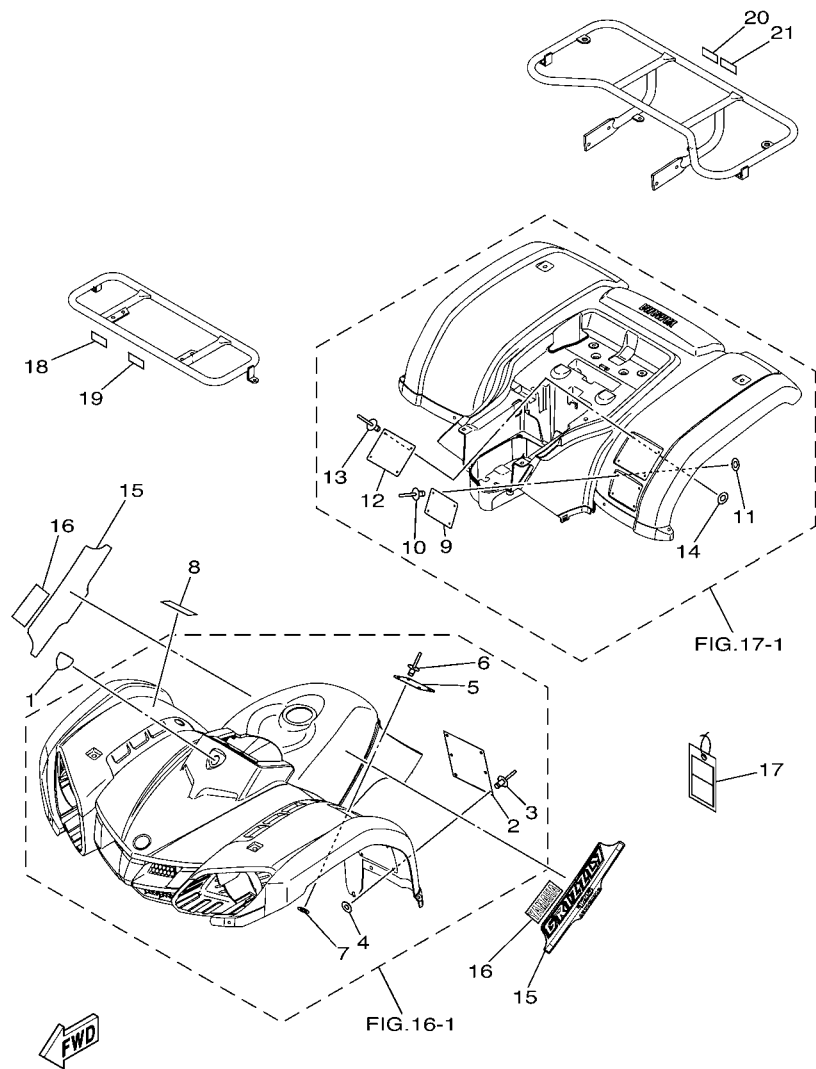


FIG. 33 ELECTRICAL 1

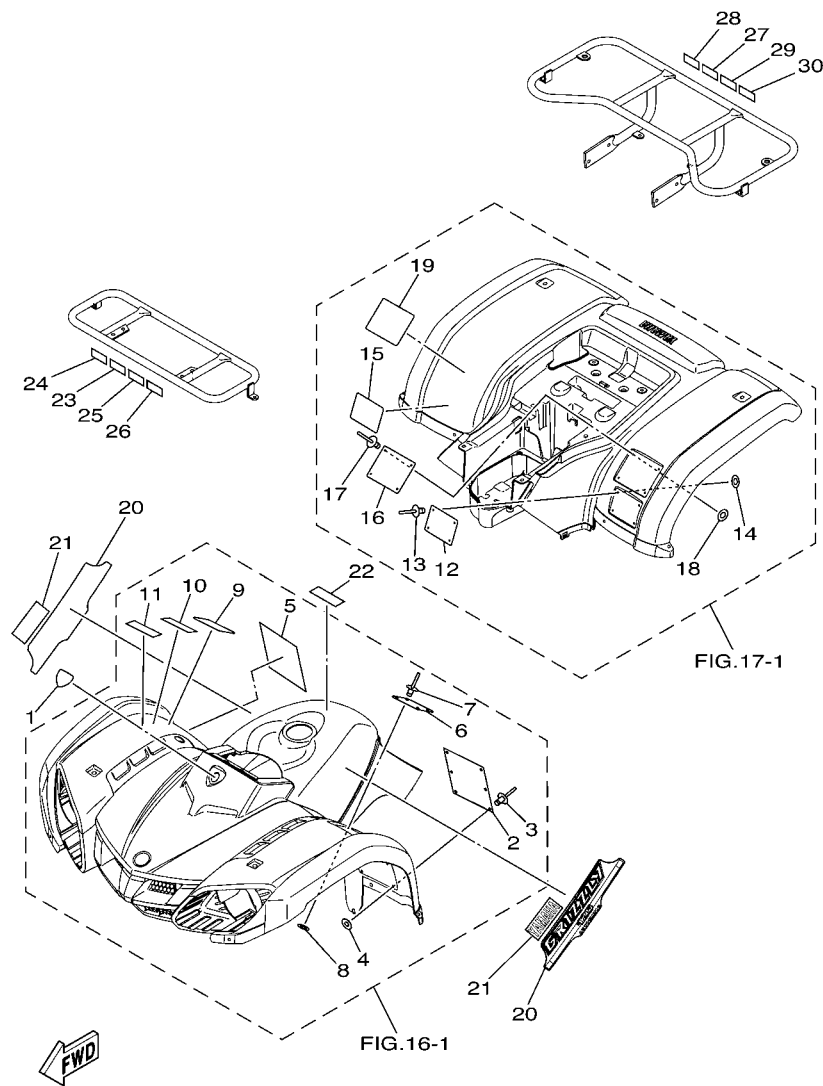
REF. NO.	PART NO.	DESCRIPTION	USA	CAN	EUR	OCE	JPN	REMARKS
1	3FA-85540-20	C.D.I. UNIT ASSY	1	1	1	1	1	
2	5HP-85546-00	BAND	1	1	1	1	1	
3	4KJ-82310-10	IGNITION COIL ASSY	1	1	1	1	1	
4	97007-06020	BOLT	1	1	1	1	1	
5	92907-06100	WASHER, SPRING	1	1	1	1	1	
6	90109-06723	BOLT	1	1	1	1	1	
7	90445-072A4	HOSE (L15)	1	1	1	1	1	
8	1UY-82370-20	PLUG CAP ASSY	1	1	1	1	1	
9	4KM-82540-00	NEUTRAL SWITCH ASSY	1	1	1	1	1	
10	90430-10148	GASKET	1	1	1	1	1	
11	3FA-82627-00	SWITCH	1	1	1	1	1	
12	90149-05283	SCREW	2	2	2	2	2	
13	3FA-82541-00	WIRE, LEAD	1	1	1	1	1	
14	5GT-81960-00	RECTIFIER & REGULATOR ASSY	1	1	1	1	1	
15	97007-06020	BOLT	2	2	2	2	2	
16	92907-06600	WASHER, PLATE	2	2	2	2	2	
17	3MW-81940-01	STARTER RELAY ASSY	1	1	1	1	1	
18	95027-06008	BOLT, FLANGE	2	2	2	2	2	
19	29U-81950-93	RELAY ASSY	1	1	1	1	1	
20	2NL-81950-92	RELAY ASSY	1	1	1	1	1	
21	3FA-82110-12	BATTERY ASSY (GS 12N12C-4A-2)	1	1	1	1	1	
	90793-25032	BATTERY ASSY (GS 12CZ-4A-2)					1	
22	3FA-82115-01	WIRE, PLUS LEAD	1	1	1	1	1	
23	3FA-82116-00	WIRE, MINUS LEAD	1	1	1	1	1	
24	133-82131-00	BAND, BATTERY	1	1	1	1	1	
25	1UY-82150-00	FUSE HOLDER ASSY	1	1	1	1	1	
26	1UY-82151-00	.FUSE (15A)	2	2	2	2	2	



1C59100-E350

FIG. 35 EMBLEM & LABEL 1

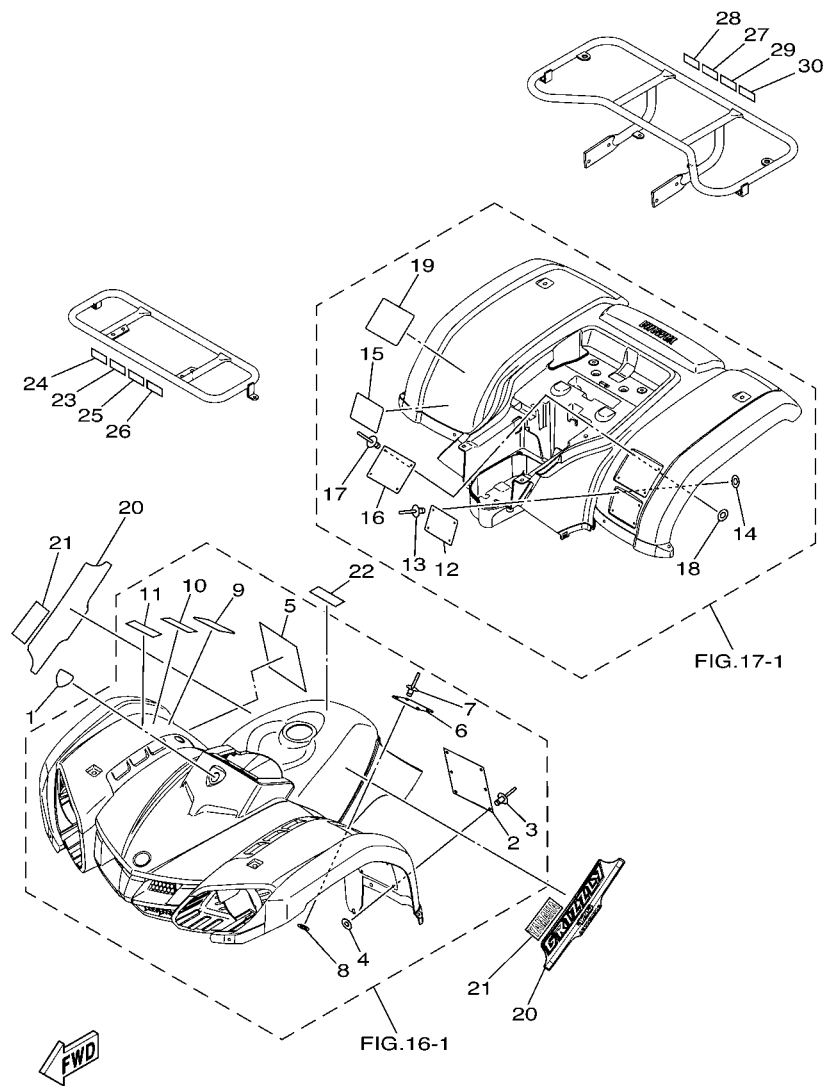
REF. NO.	PART NO.	DESCRIPTION	USA	CAN	EUR	OCE	JPN	REMARKS
1	5FE-26232-00	EMBLEM 3D	1					
2	5FE-21568-01	LABEL, WARNING	1					ENGLISH
3	90267-32004	RIVET, BLIND	6					
4	90201-03313	WASHER, PLATE	6					
5	5FE-21697-01	LABEL, CAUTION 2	1					ENGLISH
6	90267-32004	RIVET, BLIND	4					
7	90201-03313	WASHER, PLATE	4					
8	5YT-2151E-30	LABEL 2	1					ENGLISH
9	1C5-21696-00	LABEL, CAUTION	1					ENGLISH
10	90267-32004	RIVET, BLIND	4					
11	90201-03313	WASHER, PLATE	4					
12	5FE-2151H-01	LABEL 5	1					ENGLISH
13	90267-32004	RIVET, BLIND	4					
14	90201-03313	WASHER, PLATE	4					
15	1C5-2173E-70	GRAPHIC 1	2					UR FOR PDG
	1C5-2173E-80	GRAPHIC 1	2					UR FOR DPBSN
16	4ES-2153E-30	EMBLEM, YAMAHA	2					
17	5KM-2819R-00	TAG, WARNING	1					
18	3MX-24875-A0	LABEL 1	1					ENGLISH
19	3LD-24877-A0	LABEL, CAUTION	1					ENGLISH
20	3MX-24875-A0	LABEL 1	1					ENGLISH
21	1C5-24877-A0	LABEL, CAUTION	1					ENGLISH



1C59100-E360

FIG. 36 EMBLEM & LABEL 2

REF. NO.	PART NO.	DESCRIPTION	USA	CAN	EUR	OCE	JPN	REMARKS
1	5FE-26232-00	EMBLEM 3D		1				
2	5FE-21568-01	LABEL, WARNING		1				ENGLISH
3	90267-32004	RIVET, BLIND		6				
4	90201-03313	WASHER, PLATE		6				
5	4WU-21568-10	LABEL, WARNING		1				FRENCH
6	5FE-21697-01	LABEL, CAUTION 2		1				ENGLISH
7	90267-32004	RIVET, BLIND		4				
8	90201-03313	WASHER, PLATE		4				
9	3JM-21697-10	LABEL, CAUTION 2		1				FRENCH
10	5YT-2151E-30	LABEL 2		1				ENGLISH
11	5YT-2151E-40	LABEL 2		1				FRENCH
12	1C5-21696-00	LABEL, CAUTION		1				ENGLISH
13	90267-32004	RIVET, BLIND		4				
14	90201-03313	WASHER, PLATE		4				
15	1C5-21696-10	LABEL, CAUTION		1				
16	5FE-2151H-01	LABEL 5		1				ENGLISH
17	90267-32004	RIVET, BLIND		4				
18	90201-03313	WASHER, PLATE		4				
19	4WU-2151H-10	LABEL 5		1				FRENCH
20	1C5-2173E-70	GRAPHIC 1		2				UR FOR PDG
	1C5-2173E-80	GRAPHIC 1		2				UR FOR DPBSN
21	4ES-2153E-30	EMBLEM, YAMAHA		2				
22	4SH-2416E-00	LABEL, CAUTION CANADA		1				ENGLISH
23	3MX-24875-A0	LABEL 1		1				ENGLISH
24	3MX-24875-B0	LABEL 1		1				FRENCH
25	3LD-24877-A0	LABEL, CAUTION		1				ENGLISH
26	3LD-24877-B0	LABEL, CAUTION		1				FRENCH



1C59100-E360

FIG. 36 EMBLEM & LABEL 2

REF. NO.	PART NO.	DESCRIPTION	USA	CAN	EUR	OCE	JPN	REMARKS
27	3MX-24875-A0	LABEL 1		1				ENGLISH
28	3MX-24875-B0	LABEL 1		1				FRENCH
29	1C5-24877-A0	LABEL, CAUTION		1				ENGLISH
30	1C5-24877-B0	LABEL, CAUTION		1				FRENCH

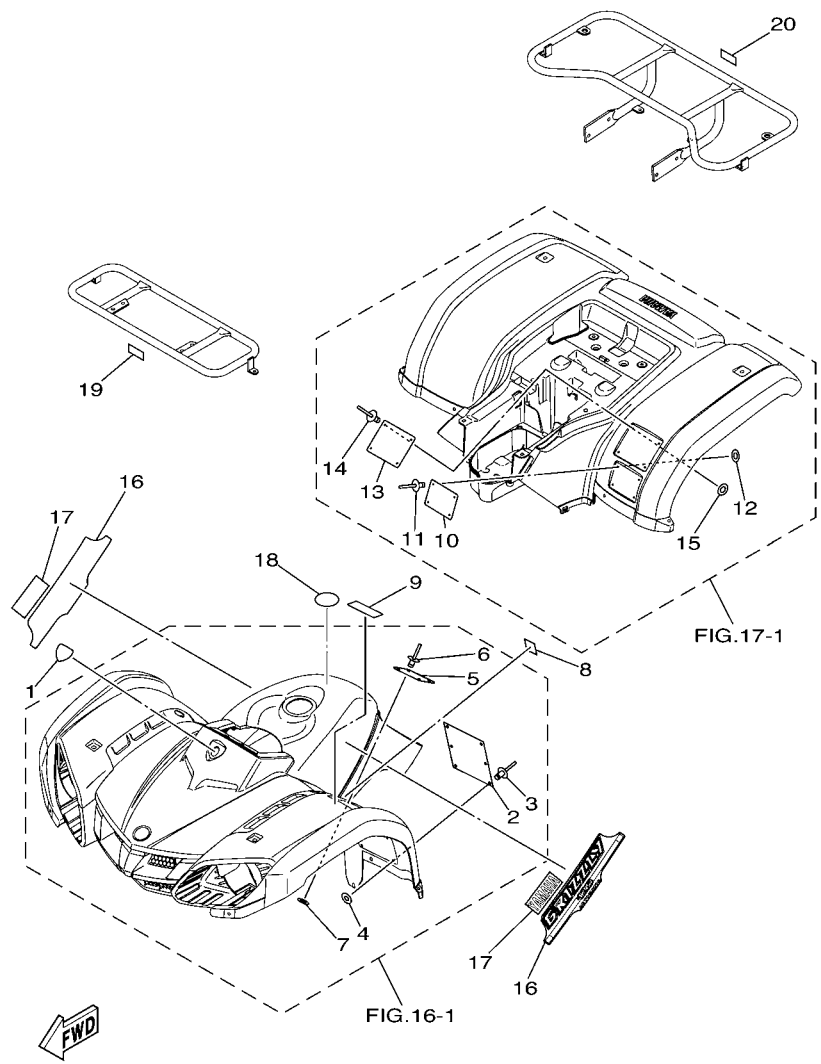


FIG. 37 EMBLEM & LABEL 3

REF. NO.	PART NO.	DESCRIPTION	USA	CAN	EUR	OCE	JPN	REMARKS
1	5FE-26232-00	EMBLEM 3D			1			
2	5FK-21568-00	LABEL, WARNING			1			
3	90267-32004	RIVET, BLIND			6			
4	90201-03313	WASHER, PLATE			6			
5	5FK-21697-00	LABEL, CAUTION 2			1			
6	90267-32004	RIVET, BLIND			4			
7	90201-03313	WASHER, PLATE			4			
8	4GB-2155A-00	MARK, EC			1			
9	1C5-2156A-00	PLATE, MD			1			
10	3FA-21696-M0	LABEL, CAUTION			1			
11	90267-32004	RIVET, BLIND			4			
12	90201-03313	WASHER, PLATE			4			
13	5FK-2151H-00	LABEL 5			1			
14	90267-32004	RIVET, BLIND			4			
15	90201-03313	WASHER, PLATE			4			
16	1C5-2173E-70	GRAPHIC 1			2			UR FOR PDG
	1C5-2173E-90	GRAPHIC 1			2			UR FOR DPBSE
17	4ES-2153E-30	EMBLEM, YAMAHA			2			
18	3ME-2415E-01	LABEL, CAUTION			1			
19	3LD-24877-A0	LABEL, CAUTION			1			ENGLISH
20	1C5-24877-A0	LABEL, CAUTION			1			ENGLISH

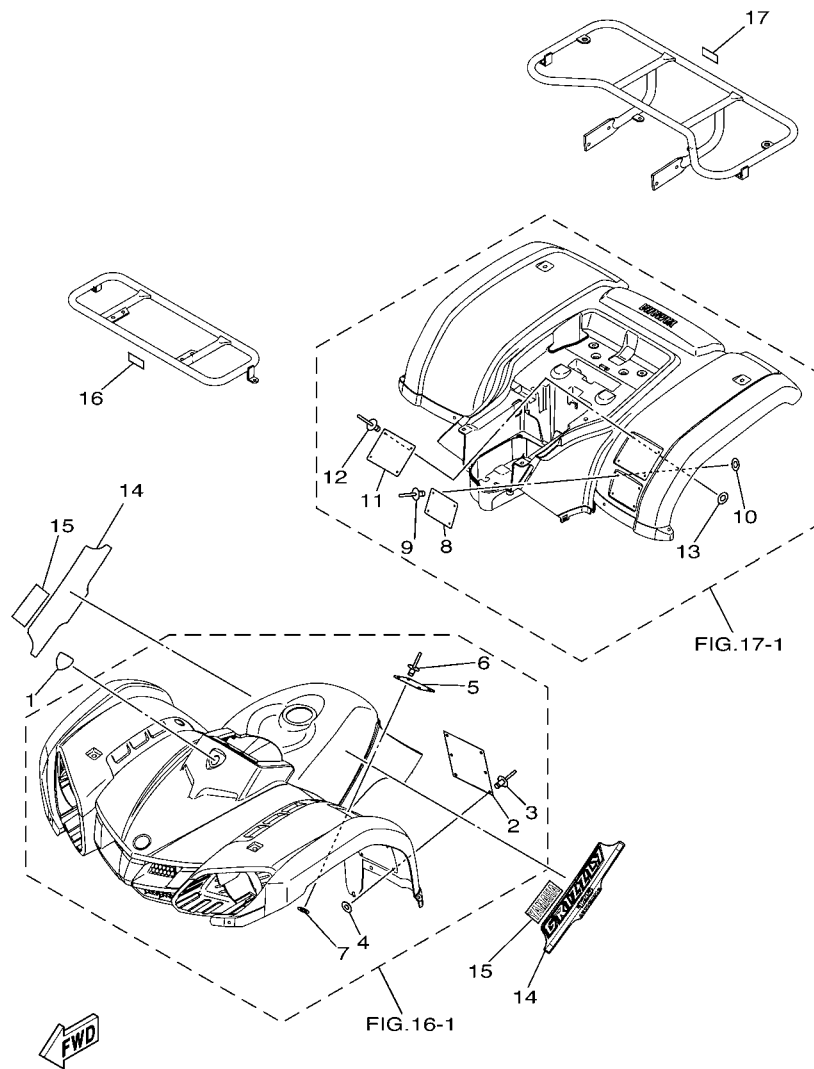
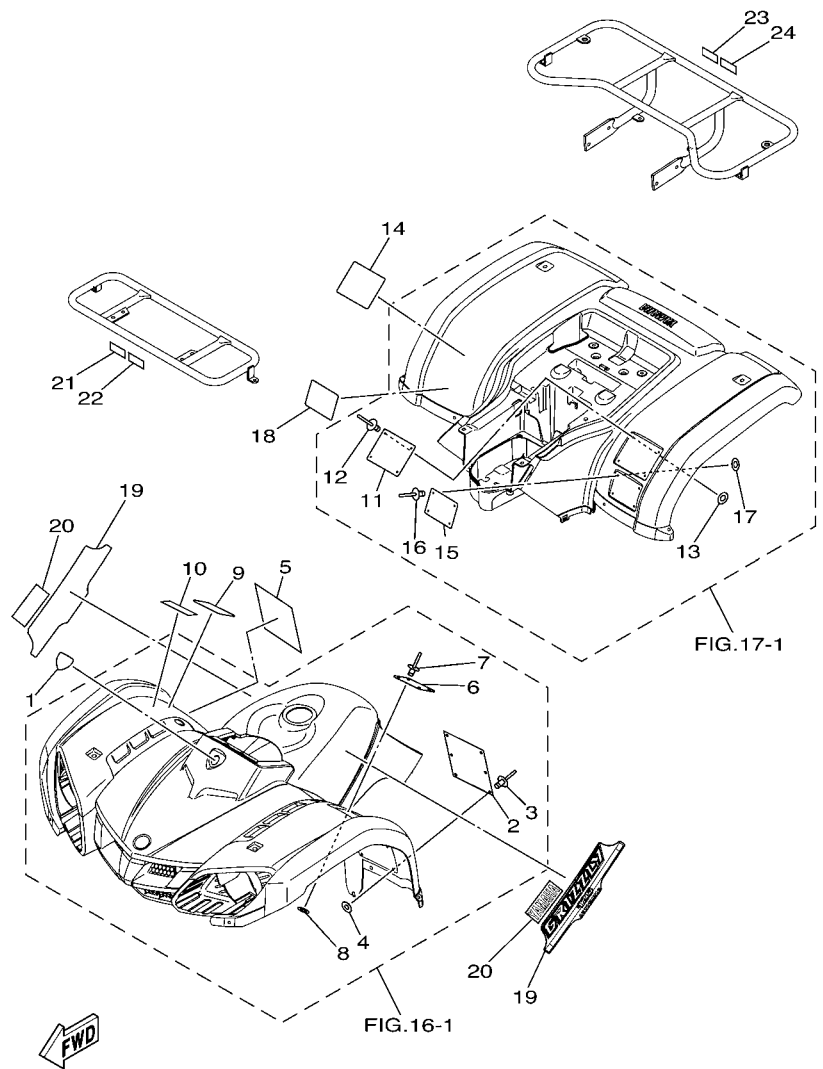


FIG. 38 EMBLEM & LABEL 4

REF. NO.	PART NO.	DESCRIPTION	USA	CAN	EUR	OCE	JPN	REMARKS
1	5FE-26232-00	EMBLEM 3D					1	
2	5FE-21568-11	LABEL, WARNING					1	ENGLISH
3	90267-32004	RIVET, BLIND					6	
4	90201-03313	WASHER, PLATE					6	
5	5FE-21697-01	LABEL, CAUTION 2					1	ENGLISH
6	90267-32004	RIVET, BLIND					4	
7	90201-03313	WASHER, PLATE					4	
8	1C5-21696-00	LABEL, CAUTION					1	ENGLISH
9	90267-32004	RIVET, BLIND					4	
10	90201-03313	WASHER, PLATE					4	
11	5FE-2151H-01	LABEL 5					1	ENGLISH
12	90267-32004	RIVET, BLIND					4	
13	90201-03313	WASHER, PLATE					4	
14	1C5-2173E-90	GRAPHIC 1					2	
15	4ES-2153E-30	EMBLEM, YAMAHA					2	
16	3LD-24877-A0	LABEL, CAUTION					1	ENGLISH
17	1C5-24877-A0	LABEL, CAUTION					1	ENGLISH

1C59100-E380



1C59100-E390

FIG. 39 EMBLEM & LABEL 5

REF. NO.	PART NO.	DESCRIPTION	USA	CAN	EUR	OCE	JPN	REMARKS
1	5FE-26232-00	EMBLEM 3D					1	
2	5FE-21568-11	LABEL, WARNING					1	ENGLISH
3	90267-32004	RIVET, BLIND					6	
4	90201-03313	WASHER, PLATE					6	
5	4SH-21568-00	LABEL, WARNING					1	JAPANESE
6	5FE-21697-01	LABEL, CAUTION 2					1	ENGLISH
7	90267-32004	RIVET, BLIND					4	
8	90201-03313	WASHER, PLATE					4	
9	4SH-21697-00	LABEL, CAUTION 2					1	JAPANESE
10	5YT-2151E-50	LABEL 2					1	JAPANESE
11	1C5-21696-00	LABEL, CAUTION					1	ENGLISH
12	90267-32004	RIVET, BLIND					4	
13	90201-03313	WASHER, PLATE					4	
14	1C5-21696-20	LABEL, CAUTION					1	JAPANESE
15	5FE-2151H-01	LABEL 5					1	ENGLISH
16	90267-32004	RIVET, BLIND					4	
17	90201-03313	WASHER, PLATE					4	
18	4LB-2151H-02	LABEL 5					1	JAPANESE
19	1C5-2173E-70	GRAPHIC 1					2	
20	4ES-2153E-30	EMBLEM, YAMAHA					2	
21	4SH-24875-00	LABEL 1					1	JAPANESE
22	3AC-24877-C0	LABEL, CAUTION					1	JAPANESE
23	4SH-24875-00	LABEL 1					1	JAPANESE
24	4AS-24877-D0	LABEL, CAUTION					1	JAPANESE

NUMERICAL INDEX

PART NO.	GRID NO.	PART NO.	GRID NO.	PART NO.	GRID NO.	PART NO.	GRID NO.	PART NO.	GRID NO.	PART NO.	GRID NO.
3FA-11102-04	B - 2	5VJ-1410A-00	B - 8	3FA-15461-10	B - 11	1C5-21110-20	C - 6	1C5-2173E-70	E - 4	1C5-24731-00	C - 14
4GL-1111F-00	B - 5	3FA-14112-25	B - 8	3FA-15462-10	B - 11	1C5-21110-30	C - 6		E - 6	4K0-24774-01	C - 14
22F-11134-10	B - 2	4U5-14126-00	B - 8	3FA-15467-00	B - 13	3FA-2115K-00	C - 6		E - 8	4K0-24775-00	C - 14
3FA-11145-00	B - 5	21V-14131-00	B - 8	3FA-15471-00	B - 13	3FA-21315-00	C - 6	1C5-2173E-80	E - 3	29U-24776-00	C - 14
3FA-11160-00	B - 2	1NT-14142-12	B - 8	3FA-15472-00	B - 13	5YT-2151E-30	E - 3		E - 4	1C5-24841-00	D - 8
3FA-11166-00	B - 2	18M-14144-09	B - 8	3FA-15475-00	B - 13		E - 4	1C5-2173E-90	E - 6	1C5-24842-00	D - 8
59V-11167-00	B - 11	21V-14146-00	B - 8	3FA-15477-00	B - 13	5YT-2151E-40	E - 4		E - 7	1C5-24842-10	D - 8
50M-11181-00	B - 2	24W-14147-00	B - 9	50M-15512-00	B - 14	5YT-2151E-50	E - 8	5KM-2175B-00	C - 7	4SH-24875-00	E - 8
22F-11186-00	B - 2	3FA-14148-00	B - 8	3FA-15521-00	B - 14	5FK-2151H-00	E - 6	1C5-2179T-20	B - 7	3MX-24875-A0	E - 3
214-11198-01	B - 11	21V-1414M-31	B - 8	50M-15524-00	B - 14	5FE-2151H-01	E - 3	3FA-22110-00-33	C - 10		E - 4
3FA-11310-00	B - 2	5V7-14153-00	B - 9	50M-15570-02	B - 14		E - 4	3FA-22126-00	C - 10	3MX-24875-B0	E - 4
3FA-11351-10	B - 2	3X3-14169-00	B - 8	3FA-15724-00	D - 9		E - 7	1W1-22128-00	C - 10	1C5-24877-A0	E - 3
3FA-11400-00	B - 3	24W-14184-00	B - 8	3FA-15787-00	B - 11		E - 8	401-22128-01	C - 10		E - 5
3FA-11500-00	B - 3	21V-14185-00	B - 8	3FA-16111-00	B - 15	4LB-2151H-02	E - 8	2JX-22141-00	C - 10		E - 6
2HX-11610-00	B - 3	127-14186-00	B - 8	3FA-16151-00	C - 3	4WU-2151H-10	E - 4	2A6-22151-00	C - 10		E - 7
2HX-11610-20	B - 3	21V-14190-18	B - 8	4DH-16611-00	B - 15	4ES-2153E-30	E - 3	2A6-22152-00	C - 10	3LD-24877-A0	E - 3
2HX-11610-40	B - 3	12R-14191-00	B - 8	3FA-16620-00	B - 15		E - 4	10V-22178-00	C - 6		E - 4
3FA-11631-00-A0	B - 3	24W-14193-00	B - 9	14T-16626-00	B - 15		E - 6	4V4-22184-00	C - 6		E - 6
22K-11633-01	B - 3	29U-14197-00	B - 9	3FA-17270-00	C - 3		E - 7	3FA-2219X-00	C - 10		E - 7
3FA-11636-00	B - 3	3FA-14197-00	B - 8	3FA-17285-00	C - 3		E - 8	3FA-22210-00-33	C - 10	1C5-24877-B0	E - 5
3FA-11638-00	B - 3	620-1423A-66	B - 8	3FA-17411-00	C - 3	4GB-2155A-00	E - 6	3FA-23350-00-33	C - 12	3LD-24877-B0	E - 4
5AP-12111-01	B - 4	3FA-14412-01	B - 7	3FA-17421-00	C - 3	4SH-21568-00	E - 8	1C5-23391-00	C - 7	3AC-24877-C0	E - 8
3FA-12113-00	B - 4	2NL-14419-00	B - 7	3FA-17430-00	C - 3	5FK-21568-00	E - 6	2HR-23442-00	C - 11	4AS-24877-D0	E - 8
22F-12116-00	B - 4	3FA-14422-10	C - 7	3FA-17471-01	C - 3	5FE-21568-01	E - 3	3GB-23448-00	C - 12	3FA-25111-00	C - 15
22F-12117-02	B - 4	3FA-14424-00	B - 7	3FA-17519-10	C - 3		E - 4	3FA-23511-01	C - 12	3FA-25117-00	C - 15
22F-12118-01	B - 4	3FA-14437-00	B - 7	3FA-17551-00	C - 3	4WU-21568-10	E - 4	1UY-23517-00	C - 12	3FA-25121-00	C - 15
2HX-12119-00	B - 4	2XJ-14451-00	B - 7	3FA-17611-01	B - 15	5FE-21568-11	E - 7	2NL-23517-00	C - 12	52H-2513A-00	C - 15
5HP-12121-00	B - 4	36F-14452-00	B - 7	3FA-17620-01	B - 15		E - 8	3FA-23521-01	C - 12	2N3-25155-00	D - 3
50M-12151-00	B - 4	3FA-14453-00	B - 7	50W-17623-00	B - 15	1C5-2156A-00	E - 6	3FA-23570-00-33	C - 12	3FA-25155-00	C - 15
22F-12156-00	B - 4	59V-14457-00	B - 7	50M-17630-00	B - 15	1UY-21639-00	C - 9	3FA-23580-00-33	C - 12	3FA-25156-00	D - 2
22F-12159-00	B - 4	2XJ-14458-00	B - 7	50M-17632-00	B - 15	1C5-21696-00	E - 3	1UY-23812-00	C - 11	3FA-25169-00	C - 15
50M-12170-01	B - 5	3FA-14461-00	C - 7	50M-1763E-01	B - 15		E - 4	1C5-23813-00	C - 11	3FA-25180-00-35	C - 15
50M-12176-00	B - 5	3FA-14472-00	B - 7	3FA-17641-00	B - 15		E - 7	8K1-23814-00	C - 11	3FA-25311-00	D - 3
50M-12210-00	B - 5	583-14561-00	B - 8	4CW-17653-00	B - 15		E - 8	3FA-23831-10	C - 11	3FA-25317-00	D - 3
4RF-12213-00	B - 5	3DM-14613-00	B - 10	3FA-17660-02	C - 2	1C5-21696-10	E - 4	1UY-23841-01	C - 11	3FA-2531E-00	D - 4
50M-12231-00	B - 5	3FA-14628-00	B - 10	50W-17664-00	C - 2	1C5-21696-20	E - 8	1UY-23845-01	C - 11	3FA-25336-00	D - 4
50M-12241-00	B - 5	3FA-14711-00	B - 10	3FA-17670-00	C - 2	3FA-21696-M0	E - 6	3FA-23868-20	C - 11	23F-2533A-00	D - 3
3FA-13300-00	B - 6	55X-14752-00	B - 10	50W-17674-00	C - 2	4SH-21697-00	E - 8	1UY-23894-01	C - 11	3FA-25343-00	D - 3
3FA-13325-00	B - 6	4BD-14766-00	B - 10	3FA-17684-00	C - 2	5FK-21697-00	E - 6	1C5-24110-00	C - 13	55X-25351-00	D - 3
22F-13329-01	B - 6	3FA-1490J-10	B - 8	3FA-18101-01	C - 5	5FE-21697-01	E - 3	1C5-2414H-00	C - 13	5G3-25351-02	C - 15
3FA-13405-00	B - 6	59V-14962-00	B - 9	3FA-18128-00	C - 5		E - 4	3ME-2415E-01	E - 6	5V6-25367-00	D - 3
51Y-13411-00	B - 6	3FA-15100-00	B - 11	3FA-18152-00	C - 5		E - 7	4SH-2416E-00	E - 4	3FA-25381-00	D - 3
3Y1-13416-01	B - 6	30X-15351-00	B - 6	3FA-18164-00	C - 5		E - 8	55W-24500-02	C - 13	3FA-25383-00	D - 3
3FA-13586-00	B - 7	3FA-15362-00	B - 13	3FA-18174-00	C - 5	3JM-21697-10	E - 4	4X8-24512-00	C - 13	3FA-25386-00	D - 3
5VJ-14101-10	B - 8	50M-15381-00	B - 15	3FA-18191-00	C - 5	1C5-2171A-00	C - 7	3AC-24523-00	C - 13	1UY-25388-00	D - 4
18G-14103-00	B - 8	3FA-15411-00	B - 13	4GB-18512-00	C - 5	1C5-2171A-10	C - 7	3AJ-24534-01	C - 13	3FA-25390-00-35	D - 3
21V-14105-00	B - 8	50M-15418-00	B - 11	1HX-18535-00	C - 5	1C5-2171A-20	C - 8	2FJ-24610-00	C - 13	10V-25412-00	D - 3
10X-14106-00	B - 8	3FA-15451-11	B - 13	3FA-18540-00	C - 5	1C5-2173E-70	E - 3	1C5-24710-00	C - 14	390-25412-01	D - 4

NUMERICAL INDEX

PART NO.	GRID NO.	PART NO.	GRID NO.	PART NO.	GRID NO.	PART NO.	GRID NO.	PART NO.	GRID NO.	PART NO.	GRID NO.
3FA-25432-20	D - 3	29U-81950-93	D - 14	3Y6-85130-02	E - 2	90119-05020	D - 7	90201-06071	D - 7	90340-14117	B - 12
55X-25715-00	D - 4	5GT-81960-00	D - 14	449-85131-02	E - 2	90119-06056	C - 9		D - 12	90340-14132	B - 11
3FA-26111-00	D - 5	3FA-82110-12	D - 14	3FA-85540-20	D - 14		D - 8	90201-06074	D - 12	90340-36078	B - 12
1C5-26124-00	D - 5	3FA-82115-01	D - 14	5HP-85546-00	D - 14	90119-06063	C - 7	90201-060L5	C - 13	90381-15040	C - 6
1NV-26129-00	D - 5	3FA-82116-00	D - 14	1C5-W2151-01	C - 7	90119-06096	C - 7	90201-062A8	D - 7	90381-15088	C - 12
5FE-26232-00	E - 3	29W-82123-00	C - 9	1C5-W2151-11	C - 7	90123-08046	D - 13	90201-06412	B - 15	90381-17067	C - 12
	E - 4	133-82131-00	D - 14	1C5-W215B-00	C - 7	90149-04278	D - 5	90201-06630	B - 13	90386-18028	C - 10
	E - 6	1UY-82150-00	D - 14	1C5-W215B-20	C - 7	90149-05283	D - 14	90201-08087	B - 11	90387-06595	D - 12
	E - 7	1UY-82151-00	D - 14	1C5-W215C-01	C - 7	90149-06011	C - 13	90201-08326	B - 5	90387-065L7	D - 12
	E - 8	4KJ-82310-10	D - 14	1C5-W215C-11	C - 7	90149-06021	C - 7		B - 10	90387-06648	C - 7
3GB-26241-00	D - 5	1UY-82370-20	D - 14	1C5-W215D-00	C - 7	90154-05004	D - 11	90201-08609	B - 2	90387-066H4	C - 13
4KB-26250-10	D - 5	5LP-82510-00	D - 15	1C5-W215E-20	C - 7	90155-06007	B - 6	90201-086P8	D - 8	90387-07598	C - 13
1NV-2625G-01	D - 5	4KM-82540-00	D - 14	1C5-W2161-00	C - 9	90159-05019	B - 7	90201-08759	C - 12	90387-090R0	C - 11
4KB-2628F-10	D - 5	3FA-82541-00	D - 14	1C5-W2161-10	C - 9	90159-05022	D - 11	90201-10135	B - 14	90387-101R3	C - 12
4KB-2628G-00	D - 5	3HN-82569-00	D - 15	1C5-W2161-20	C - 9	90170-05302	B - 4	90201-106F2	D - 4	90387-113W0	D - 4
1NV-26304-00	D - 5	3HN-82579-00	D - 15	1C5-W216B-00	C - 9	90170-10186	C - 11	90201-10774	C - 11	90387-161V0	B - 15
3FA-26311-10	D - 5	1C5-82590-00	D - 15	1C5-W216B-20	C - 9	90170-10219	D - 3	90201-120A5	D - 4	90387-167L5	B - 5
52H-2631G-00	D - 6	1C5-82590-10	D - 15	1C5-W216C-00	C - 9	90170-12181	D - 9	90201-122H1	D - 9	90387-175R2	C - 15
3FA-26331-01	D - 6	3FA-82627-00	D - 14	1C5-W216C-10	C - 9	90170-12338	C - 2	90201-126A7	C - 10	90387-251W4	C - 3
52H-26347-01	D - 5	3FA-82910-23	D - 13	4BE-W2536-00	C - 15	90170-33376	D - 3	90201-12749	C - 10	90430-06014	B - 5
3FA-26351-03	D - 5	3FA-82911-01	D - 13	3FA-W253A-00	D - 3	90170-36279	B - 15	90201-13409	C - 6	90430-10148	D - 14
3FA-26361-00	D - 6	2XJ-82913-00	D - 13	90101-06278	C - 15	90171-10004	C - 12	90201-14226	D - 4	90430-14043	B - 11
52H-26371-00	D - 5	4V4-82913-00	D - 5		D - 3	90171-10046	C - 11	90201-14586	C - 15	90430-14194	C - 5
3FA-26373-00	D - 5	3JN-82921-00	D - 13	90101-08034	D - 4	90171-14020	C - 15	90201-15700	C - 3	90445-072A4	D - 14
3FA-26393-00	D - 6	50M-83371-20	D - 15	90101-08590	B - 5	90171-14037	D - 4	90201-163F8	B - 14	90445-09304	C - 13
1NV-26398-00	D - 5	5GH-83516-00	D - 15	90101-08647	D - 4	90175-06013	D - 5	90201-221M8	C - 3	90445-10456	C - 13
3FA-26466-00	D - 13	5TE-83530-00	D - 15	90105-08324	B - 2	90179-06022	D - 8	90201-252A4	C - 3	90445-121F6	B - 11
371-27114-00	C - 14	2HT-83912-00	D - 13	90105-10183	C - 6	90179-08148	D - 13	90202-08175	D - 5	90450-45075	B - 7
3FA-27411-10	D - 7	59V-83922-00	D - 13	90105-10388	C - 10	90179-10540	C - 15	90202-14077	D - 12	90460-54085	B - 13
5GH-2741A-00	D - 7	437-83936-01	D - 15	90105-10409	C - 6		D - 3	90206-06090	B - 10	90460-58124	B - 7
1C5-27453-00	D - 7	3FA-83965-00	D - 13	90105-10561	C - 12	90179-14469	B - 15	90209-06096	B - 7	90464-12045	D - 15
1C5-27463-00	D - 7	3FA-83966-00	D - 13	90105-10585	D - 4	90179-20255	C - 3	90214-04038	B - 15	90464-13073	D - 15
3GB-28100-00	C - 6	3FA-83967-00	D - 13	90105-10727	C - 12	90179-55464	C - 3	90215-14236	C - 2	90464-15195	D - 12
1NV-2811A-01	C - 6	4KB-83973-00	D - 13	90105-12573	D - 4	90183-05008	D - 11	90215-21239	C - 3		D - 15
5KM-2819R-00	E - 3	1C5-83976-00	D - 13	90105-14367	C - 5	90183-06023	C - 7	90215-22276	C - 3	90464-35132	D - 15
1C5-28309-00	C - 7	3FA-83980-03	D - 13	90109-063F1	C - 7	90183-06053	C - 7	90240-12092	C - 10	90465-08125	B - 12
5GH-28349-00	C - 7	3FA-83980-10	D - 13	90109-063F5	D - 7		D - 7	90249-12008	D - 5	90465-08127	B - 11
5GT-2836B-10	C - 7	4KB-84314-01	D - 11	90109-063F7	C - 5	90185-08097	C - 6	90267-32004	E - 3	90465-10098	D - 15
1C5-2845N-00	D - 8	5KM-84320-01	D - 11	90109-06723	D - 14	90185-10091	C - 6		E - 4	90467-09006	C - 13
1C5-2845N-10	D - 8	2GU-84332-00	D - 11	90109-06799	D - 13		C - 10		E - 6	90467-13064	B - 2
1C5-81410-00	D - 9	2GU-84334-00	D - 11	90109-08705	C - 6		C - 12		E - 7		B - 11
1C5-81450-00	D - 9	5EH-84340-00	D - 11	90109-104A8	C - 12	90185-10115	C - 11		E - 8	90467-22080	B - 7
3FA-81800-01	D - 10	3FA-84702-10	D - 12	90110-06142	C - 5	90185-12134	C - 10	90269-05055	C - 5	90480-01400	C - 13
50M-81801-M0	D - 10	3FA-84702-20	D - 12	90114-10010	C - 15	90201-03313	E - 3	90269-07076	C - 7	90480-13018	B - 11
3FA-81828-00	D - 10	5KM-84703-00	D - 11		D - 3		E - 4	90280-03047	B - 3	90480-14088	D - 12
3FA-8183G-00	D - 10	3FA-84710-00	D - 12	90116-06541	B - 2		E - 6	90336-22056	C - 11	90480-14555	D - 12
3MW-81940-01	D - 14	1A2-84714-41	D - 12	90116-08507	D - 4		E - 7	90338-23172	D - 8	90480-18290	C - 13
2NL-81950-92	D - 14	2EK-85111-00	E - 2	90116-10483	D - 3		E - 8	90340-14036	B - 11	90501-08511	D - 6

NUMERICAL INDEX

PART NO.	GRID NO.	PART NO.	GRID NO.	PART NO.	GRID NO.	PART NO.	GRID NO.	PART NO.	GRID NO.	PART NO.	GRID NO.
90501-10353	C - 5	92907-08600	C - 5	93410-22039	C - 3	97027-06025	D - 13				
90501-122E1	D - 5	92990-10600	C - 11	93440-10109	B - 2	97027-08060	C - 11				
90501-18576	B - 6	93101-21170	B - 15	93450-14088	B - 3	97802-03008	B - 8				
90501-505F1	C - 2	93102-14209	C - 5	93503-08007	C - 5	98502-04014	B - 8				
90506-15260	C - 15	93102-22294	B - 11	93605-18078	B - 11	98507-03008	C - 13				
	D - 3	93102-22335	B - 15	93700-06004	C - 6		D - 6				
90508-12761	C - 5	93102-23275	C - 15		C - 10	98507-03540	D - 11				
90508-20779	C - 14	93102-30243	C - 3		C - 12	98507-05010	D - 4				
90508-29760	C - 5	93102-35349	D - 4	93834-12016	C - 3	98507-05016	D - 6				
90560-15348	C - 3	93102-40367	C - 15	93900-00022	C - 15	98507-05020	C - 7				
90793-25032	D - 14	93102-42260	D - 3		D - 3		D - 5				
91317-06012	B - 5	93104-09025	D - 5	94107-086W7	C - 15	98507-06008	B - 13				
91317-06016	B - 5	93104-41119	C - 2	94110-086W8	D - 3	98507-06010	B - 10				
91317-06020	B - 7	93112-31011	C - 11	94580-25092	B - 5		B - 15				
	C - 3	93210-06564	B - 11	94582-02074	D - 4	98507-06012	D - 4				
91317-06110	B - 2	93210-08006	B - 6	94701-00366	B - 2	98507-06016	B - 2				
91401-20020	C - 11	93210-12327	C - 15	94703-00366	B - 2	98507-06020	D - 13				
	C - 12	93210-14104	D - 3	95027-06008	D - 14	98507-06030	B - 11				
91401-25015	C - 5	93210-14369	B - 12	95307-05600	E - 2		B - 13				
91401-30025	C - 10	93210-15414	C - 6	95307-05700	D - 5	98507-06040	B - 11				
	C - 15	93210-19123	B - 13	95307-06600	C - 15	98507-06045	B - 13				
91401-30030	D - 4	93210-25711	D - 10		D - 3	98507-06060	B - 7				
91701-08058	C - 5	93210-30611	B - 7		D - 12		B - 11				
91A20-07010	B - 9	93210-347A1	B - 6	95307-08600	D - 4	98507-06070	B - 11				
92017-06020	D - 9	93210-357A3	B - 12	95307-10700	C - 11	98507-06090	B - 13				
92502-06008	B - 9	93210-41041	C - 6	95317-06600	D - 7	98507-08012	B - 11				
92902-03100	B - 8	93210-43713	C - 2	95607-05100	D - 5	98707-06016	B - 11				
92902-04100	B - 8	93210-44704	B - 2	95607-06100	D - 13	98907-06010	B - 10				
92907-03600	D - 6	93210-53679	B - 2	95707-05300	D - 7	98907-06020	D - 7				
92907-05100	D - 4	93210-55669	D - 10	95707-06300	D - 7	98980-04012	B - 15				
	D - 5	93210-63556	B - 2	95707-06500	B - 7	99001-04600	C - 14				
	E - 2	93210-704A7	B - 11		B - 10	99001-05600	B - 6				
92907-05200	E - 2	93210-97690	B - 15	95807-06010	D - 8	99001-09600	B - 14				
92907-05600	C - 7	93211-63688	D - 4	95807-06012	C - 6	99001-10600	B - 6				
	D - 4	93306-00307	B - 14	95807-06025	D - 12	99001-12600	C - 5				
	D - 6	93306-00308	C - 15	95817-06012	D - 15	99009-22400	B - 15				
92907-06100	C - 14	93306-00433	B - 15	95817-08014	D - 7	99009-35700	B - 14				
	D - 4	93306-00705	D - 3	95817-08016	B - 10	99530-10014	B - 11				
	D - 10	93306-20201	C - 3		C - 6		B - 13				
	D - 12	93306-20215	B - 3		D - 8	99530-10114	B - 2				
	D - 13	93306-20301	C - 3	95827-06010	D - 6	99530-12016	B - 11				
	D - 14	93306-20336	B - 3	95827-06025	C - 5						
92907-06200	C - 10	93306-20401	C - 3	95827-06035	C - 13						
	C - 12	93306-20532	C - 3	95827-08016	C - 10						
92907-06600	B - 10	93306-30201	C - 4	95827-08050	C - 11						
	C - 5	93311-43048	C - 3	97007-06012	C - 14						
	D - 10	93315-11040	B - 14	97007-06020	D - 14						
	D - 14	93399-99918	B - 15	97007-06025	D - 10						